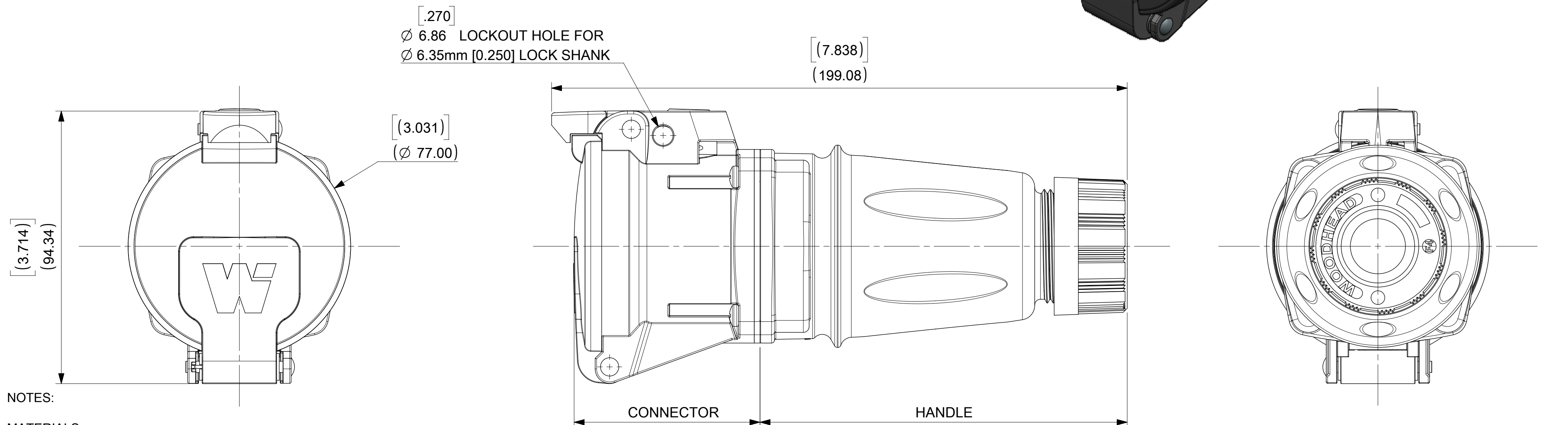
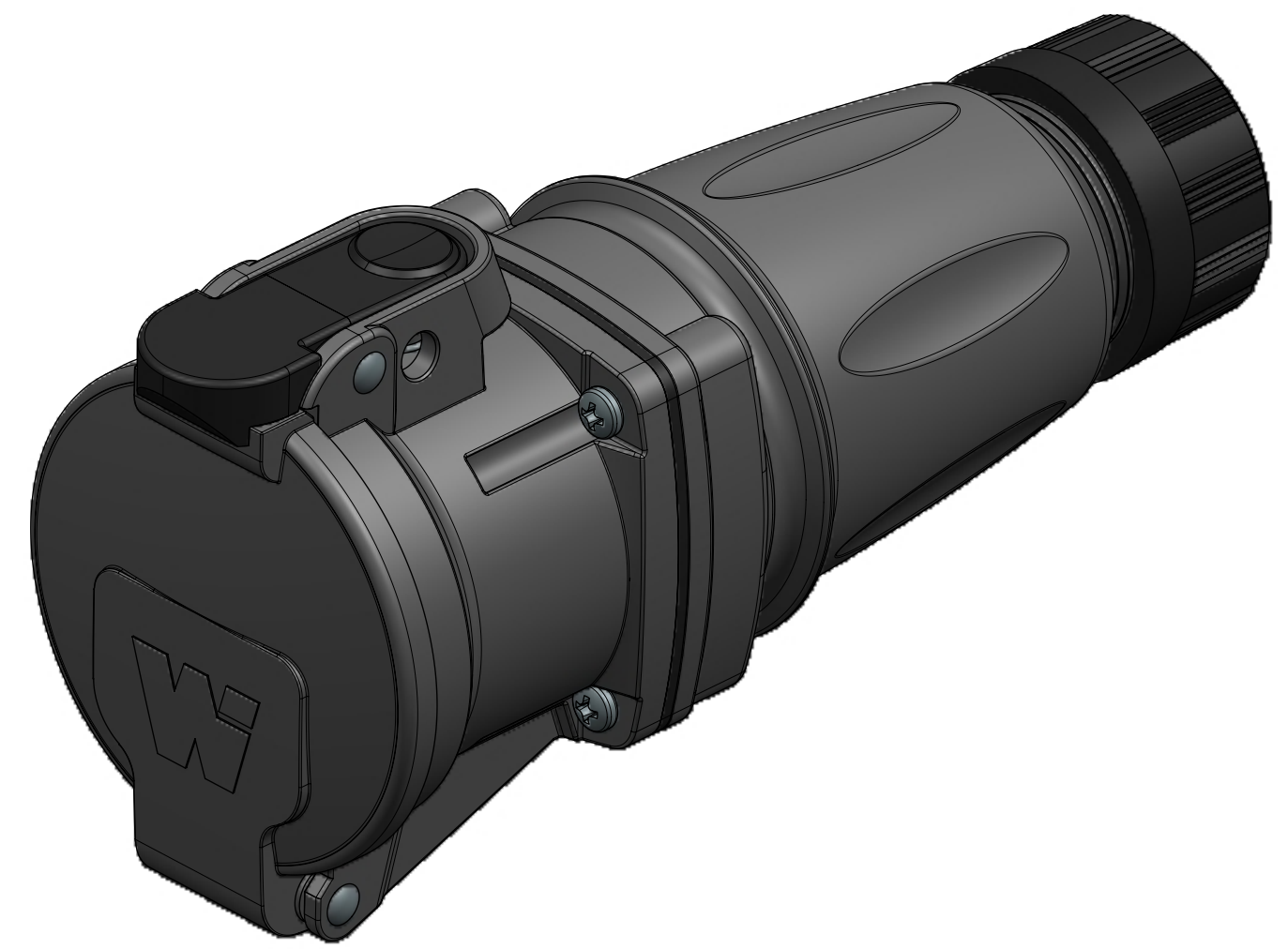


MATERIAL NUMBER	ENG NO.	DESCRIPTION	INSULATOR KEYING POSITION	HORSEPOWER RATING
1122190029	ARC30FHA01	ARC 30A FH 125VAC 1P+N+G	7	1 HP
1122190030	ARC30FHB02	ARC 30A FH 250VAC 2P+G		3 HP
1122190031	ARC30FHB03	ARC 30A FH 250VAC 3P+G		5 HP
1122190032	ARC30FHAB04	ARC 30A FH 125/250VAC 2P+N+G	16	NA
1122190033	ARC30FHC02	ARC 30A FH 208VAC 2P+G		NA
1122190034	ARC30FHC03	ARC 30A FH 208VAC 3P+G		5 HP
1122190035	ARC30FHAC05	ARC 30A FH 120/208VAC 3P+N+G	4	NA
1122190036	ARC30FHD01	ARC 30A FH 277VAC 1P+N+G		NA
1122190037	ARC30FHE02	ARC 30A FH 480VAC 2P+G		NA
1122190038	ARC30FHE03	ARC 30A FH 480VAC 3P+G	14	NA
1122190039	ARC30FHDE05	ARC 30A FH 277/480VAC 3P+N+G		NA
1122190040	ARC30FHF02	ARC 30A FH 600VAC 2P+G		NA
1122190041	ARC30FHF03	ARC 30A FH 600VAC 3P+G	NA	
1122190042	ARC30FHGF05	ARC 30A FH 347/600VAC 3P+N+G		



NOTES:

MATERIALS:
HOUSINGS AND INSULATORS: GLASS FILLED PBT
CONTACTS: COPPER ALLOY WITH A SILVER NICKEL TIP, SILVER PLATED
MOUNTING AND INTERFACE GASKETS: SILICONE
GROMMET - RUBBER
FRICTION RING - NATURAL POLYETHYLENE
COMPRESSION NUT - BLACK PBT
SELF TAPPING SCREWS - STAINLESS STEEL

RATINGS:
CURRENT: 30 AMPS
VOLTAGE AND HORSEPOWER: SEE TABLE
OPERATING TEMPERATURE: -25°C (-13°F) TO 60°C (140°F)
ENVIRONMENTAL: NEMA TYPE 4X
WIRING CAPACITY: 12AWG MIN. TO 8 AWG MAX.
TORQUE TERMINAL SCREWS TO 1.7 N-M (15 in/lbs)
AGENCY: UL LISTING PENDING

SWITCH RATED RECEPTACLE/CONNECTOR
BRANCH CIRCUIT DISCONNECT SWITCH
MOTOR CIRCUIT DISCONNECT SWITCH IF HP RATED

CONNECTOR AND HANDLE ARE PACKAGED AS SUB-ASSEMBLIES AND WILL REQUIRE END USER ASSEMBLY.

THIS DRAWING REPLACES SD-112219-003.

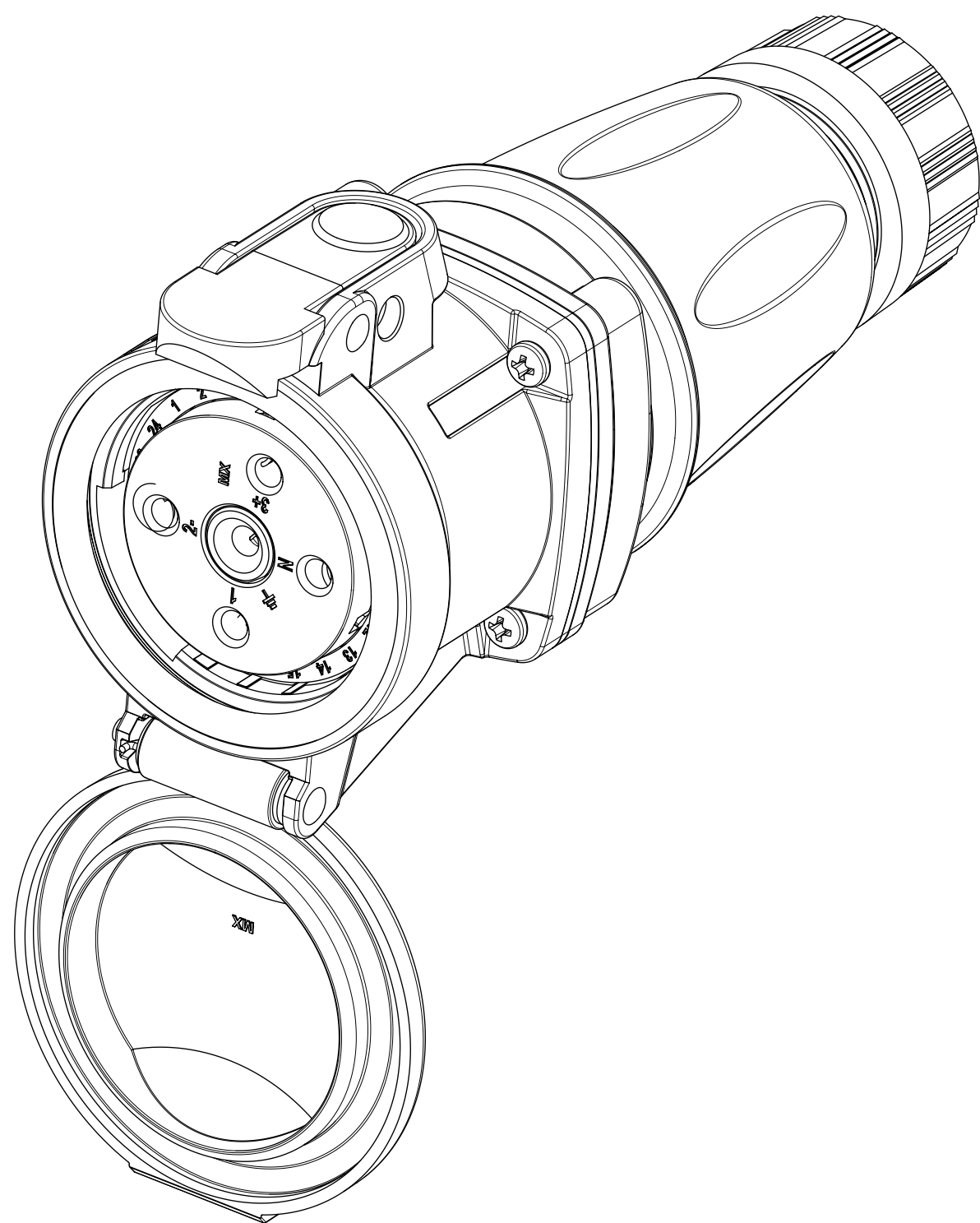
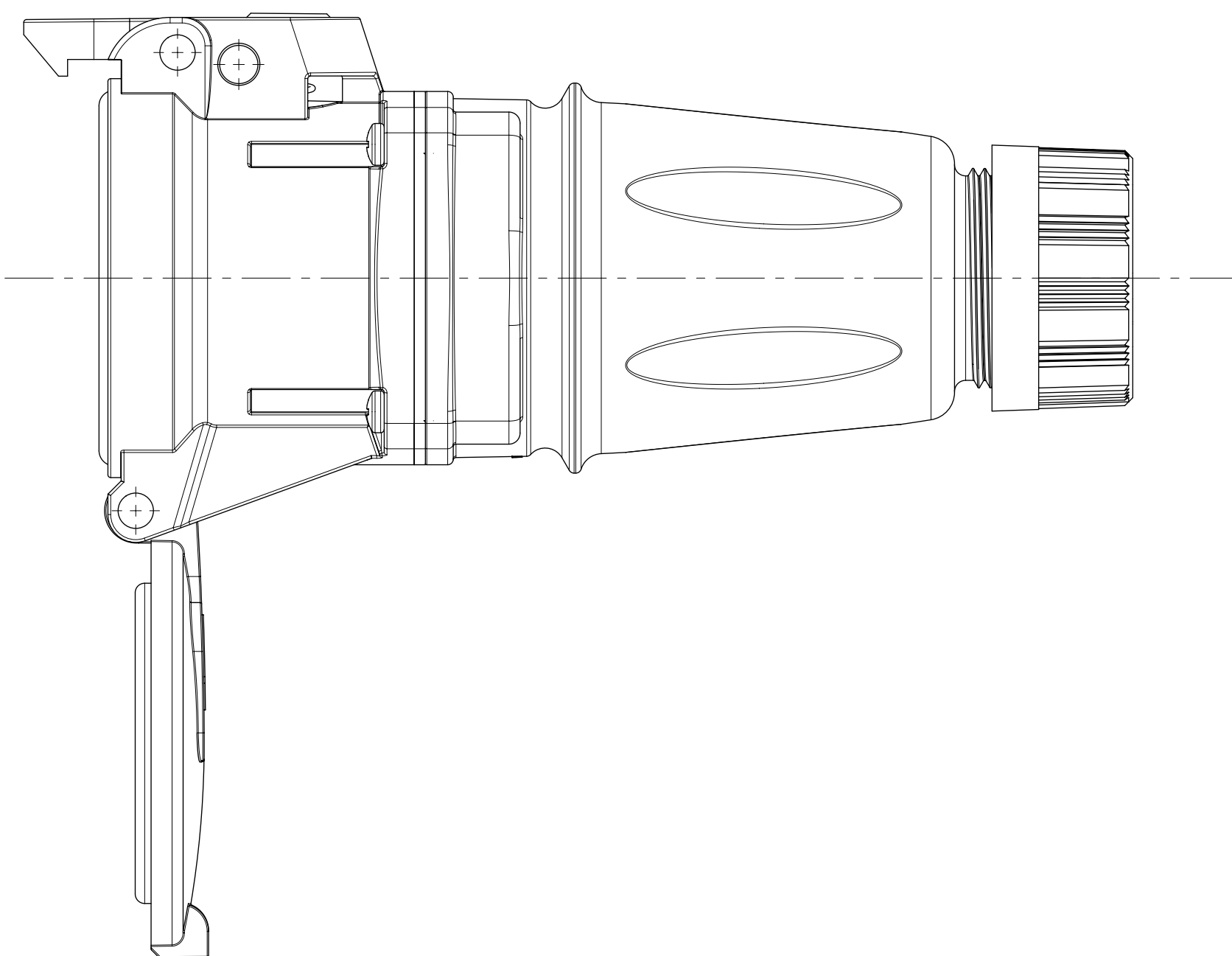
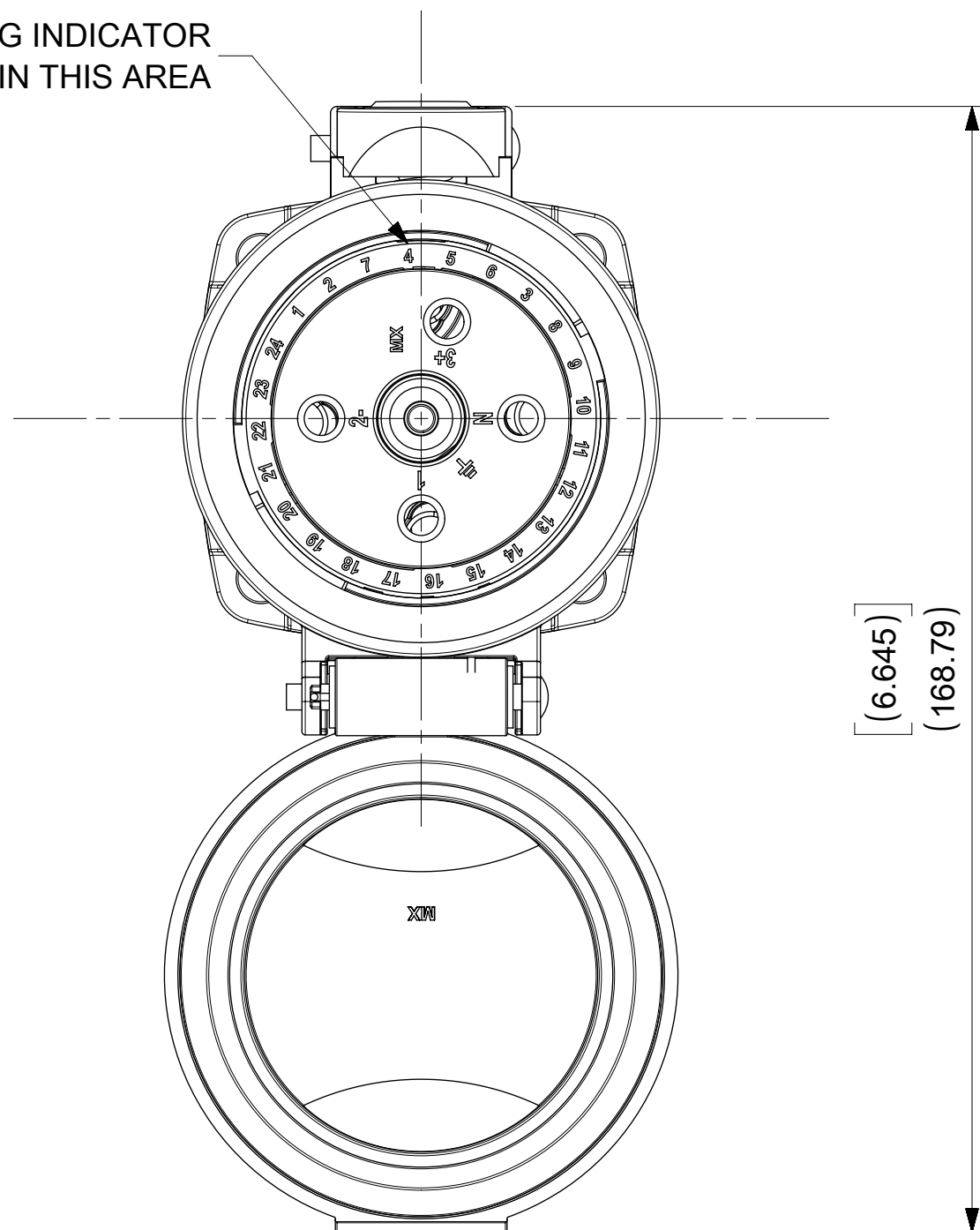
GROMMET P/N	GROMMET COLOR	CABLE DIAMETER RANGE
1301800411	GRAY	12.7mm - 15.9mm (.500" - .625")
1301800283	ORANGE	15.9mm - 19.0mm (.625" - .750")
1301800413	BLACK	19.0mm - 22.2mm (.750" - .875")

ARC30FHE03 SHOWN

THIS DRAWING CONTAINS INFORMATION THAT IS PROPRIETARY TO MOLEX ELECTRONIC TECHNOLOGIES, LLC AND SHOULD NOT BE USED WITHOUT WRITTEN PERMISSION

QUALITY SYMBOLS	EC NO: 176476 DRWN: VBASUTHKARP CHKD: BRUPERT REV / APPR: BRUPERT	GENERAL TOLERANCES (UNLESS SPECIFIED)		DIMENSION UNITS	SCALE
		MM	INCH	MM[INCH]	1:1
▽ = 0	REDRAWN IN INX EC NO: 176476 DRWN: VBASUTHKARP CHKD: BRUPERT REV / APPR: BRUPERT	4 PLACES ±	±	DRWN BY	DATE
▽ = 0		3 PLACES ±	± .005	CHK'D BY	DATE
▽ = 0		2 PLACES ±	± 0.13 ± .010	BR	9/20/2017
▽ = 0		1 PLACES ±	± 0.25 ± .020	APPR BY	DATE
▽ = 0		0 PLACES ±	±	JM	9/20/2017
⊠ = 0		ANGULAR TOL = 0.5°		DRAWING SIZE	THIRD ANGLE PROJECTION
■ = 0		DRAFT WHERE APPLICABLE MUST REMAIN WITHIN DIMENSIONS		C	
▽ = 0				 30A ArcArrest™ CONNECTOR KIT HANDLE W/O DRAWPLATES PRODUCT CUSTOMER DRAWING	
		SERIES	MATERIAL NUMBER	CUSTOMER	
		112219	SEE TABLE	GENERAL MARKET	
		DOCUMENT NUMBER	DOC TYPE	DOC PART	SHEET NUMBER
		1122190038	PSD	000	1 OF 2

INSULATOR KEYING INDICATOR
LOCATED IN THIS AREA



ARC30FHE03 SHOWN

THIS DRAWING CONTAINS INFORMATION THAT IS PROPRIETARY TO MOLEX ELECTRONIC TECHNOLOGIES, LLC AND SHOULD NOT BE USED WITHOUT WRITTEN PERMISSION													
QUALITY SYMBOLS ▽ = 0 ▽ = 0 ▽ = 0 ▽ = 0 ▽ = 0 ▽ = 0 ▽ = 0 ▽ = 0 ▽ = 0 ▽ = 0 ▽ = 0	REDRAWN IN INX EC NO: 176476 DRWN: VBASUTHKARP CHKD: BRUPERT REV / APPR: BRUPERT	2018/04/03 2018/05/10		GENERAL TOLERANCES (UNLESS SPECIFIED)		DIMENSION UNITS MM[INCH]		SCALE 1:1					
				MM	INCH	DRWN BY	DATE	30A ArcArrest™ CONNECTOR KIT HANDLE W/O DRAWPLATES					
		4 PLACES	±	±	KJ	9/20/2017							
		3 PLACES	±	± .005	CHK'D BY	DATE			PRODUCT CUSTOMER DRAWING				
		2 PLACES	±	± 0.13 ± 0.010	BR	9/20/2017			SERIES	MATERIAL NUMBER	CUSTOMER		
		1 PLACES	±	± 0.25 ± 0.020	APPR BY	DATE			112219	SEE TABLE	GENERAL MARKET		
		0 PLACES	±	±	JM	9/20/2017			DOCUMENT NUMBER	DOC TYPE	DOC PART	SHEET NUMBER	
				ANGULAR TOL = 0.5°		DRAWING SIZE	THIRD ANGLE PROJECTION			1122190038	PSD	000	2 OF 2
				DRAFT WHERE APPLICABLE MUST REMAIN WITHIN DIMENSIONS		C							
		B1	REV										