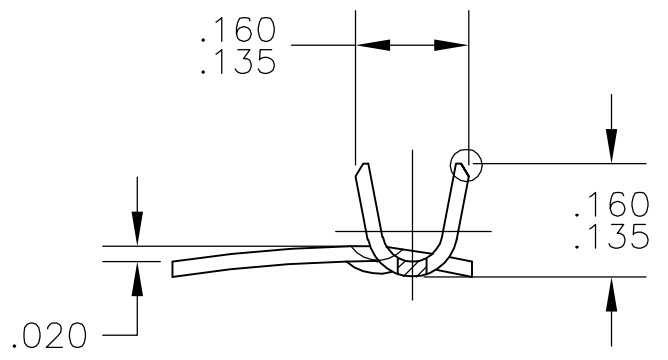
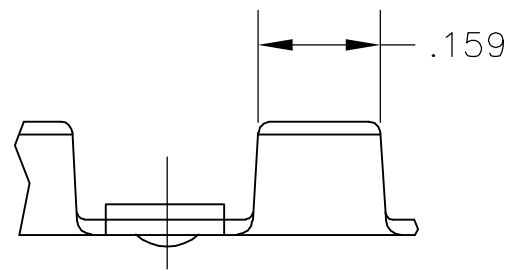
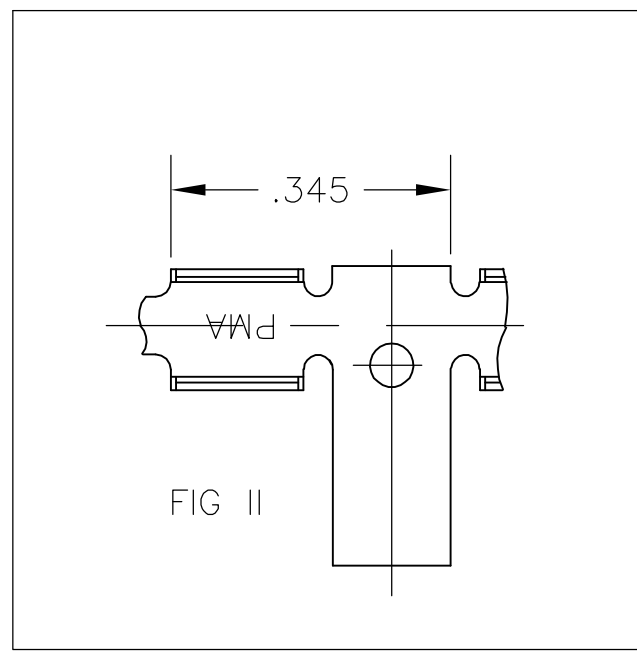
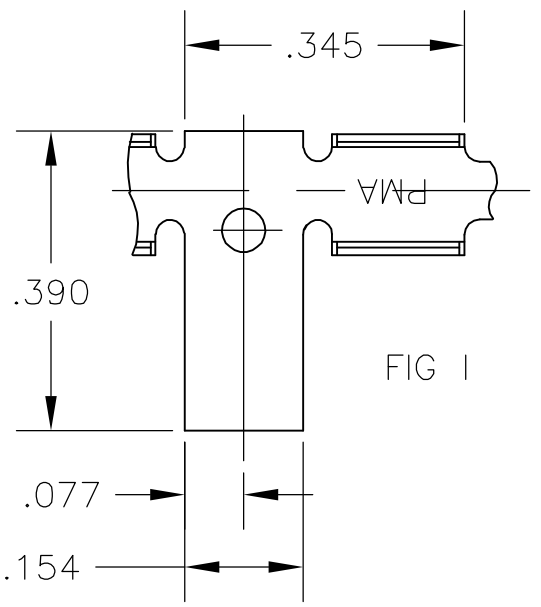


THIS DRAWING IS UNPUBLISHED. RELEASED FOR PUBLICATION
 © COPYRIGHT - BY TYCO ELECTRONICS CORPORATION. ALL RIGHTS RESERVED.

LOC	DIST	REVISIONS					
		P	LTR	DESCRIPTION	DATE	DWN	APVD
AF	52		H1	REVISED PER ECR-06-027710	28NOV06	HMR	GP



- 1 REVERSE REEL OF 42920-1
- 2 REVERSE REEL OF 42920-3
- 3 PRODUCT PROVIDED IN STRIP FORM ON REELS; BREAKS MAY BE PRESENT.
- 4 WIRE RANGE: 18-14 AWG
- 5 REF CRIMP WIDTH: .120 "F" TYPE

MATERIAL	REMARKS	PART NO.
.020 PHOS. BRONZE	FIG II 2	42920-4
.020 PHOS. BRONZE	FIG I	42920-3
.020 BRASS	FIG II 1	42920-2
.020 BRASS	FIG I	42920-1

THIS DRAWING IS A CONTROLLED DOCUMENT.		DWN RAGHAVENDRA 14NOV06	Tyco Electronics Corporation Harrisburg, Pa 17105-3608	
DIMENSIONS: INCHES 		CHK G.D.PORTA		
TOLERANCES UNLESS OTHERWISE SPECIFIED: 0 PLC ± - 1 PLC ± - 2 PLC ± - 3 PLC ± .015 4 PLC ± - ANGLES ± 1'0"		APVD G.D.PORTA	WELD TAB	
MATERIAL SEE TABLE		PRODUCT SPEC -		APPLICATION SPEC -
FINISH NONE		WEIGHT -	SIZE A3	CAGE CODE 00779
		CUSTOMER DRAWING	DRAWING NO C-42920	RESTRICTED TO -
		SCALE 4:1	SHEET 1 OF 1	REV H1