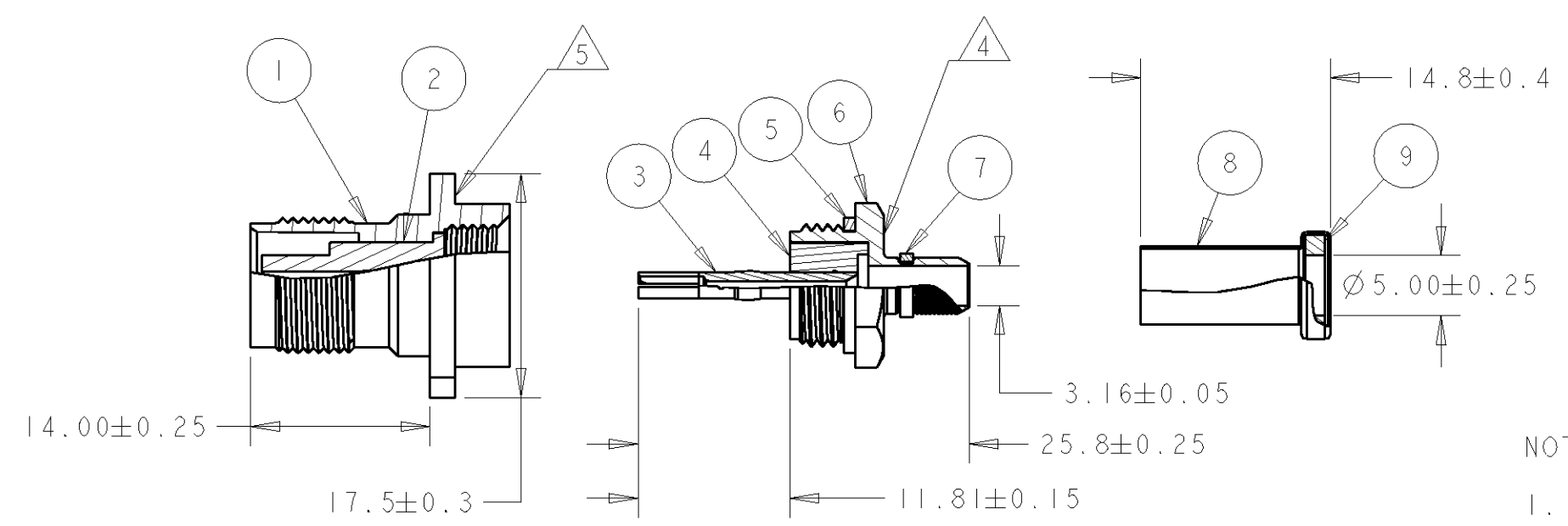


THIS DRAWING IS UNPUBLISHED. RELEASED FOR PUBLICATION 20
 © COPYRIGHT 20 BY TYCO ELECTRONICS CORPORATION. ALL RIGHTS RESERVED.

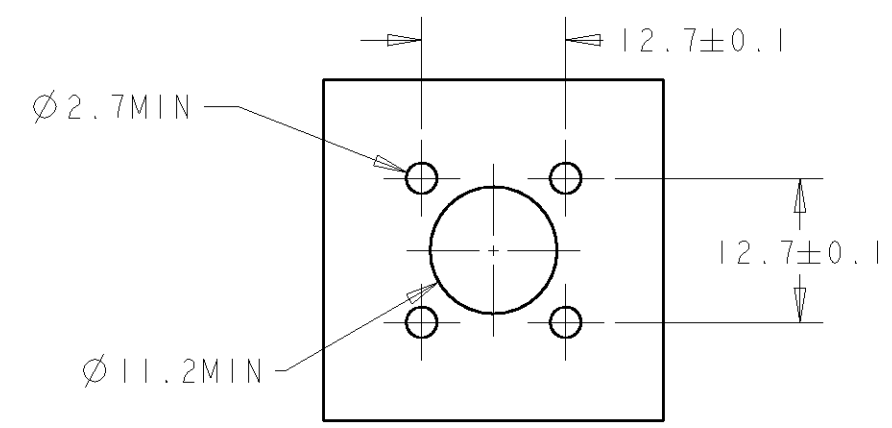
LOC	DIST	REVISIONS					
		P	LTR	DESCRIPTION	DATE	DWN	APVD
B	E		B	ECR-08-0206801	22/10/08	MJG	JA



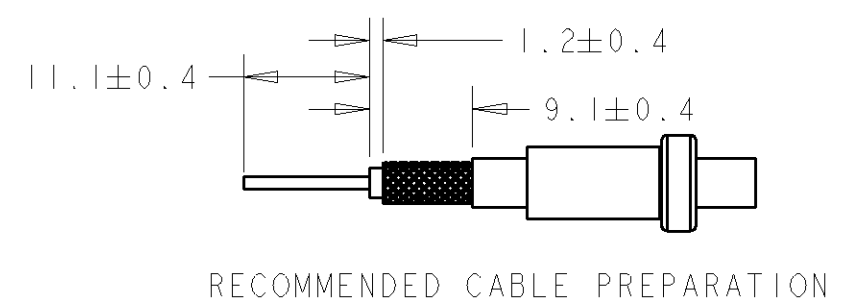
NOTES:

- FOR USE WITH RG400U, KX23 CABLE
- CRIMP WITH HAND TOOL Pt No 69710-1 + INSET 69814
- INSTRUCTION SHEET 408-2299-4
- △ PART NO 131228-2 MARKED ON THIS SURFACE
- △ FOUR HOLES 3-56 UNF 2B

RECOMMENDED PANEL CUT OUT



	I		SILICONE	GASKET	9
	I	ELECTROPLATE Ag	COPPER	SHELL	8
	I		SILICONE	GASKET	7
	I	ELECTROPLATE Ag	BRASS	SHELL	6
	I		SILICONE	GASKET	5
	I		PTFE	DIELECTRIC	4
	I	ELECTROPLATE Au	BeCu	CONTACT	3
	I		PTFE	DIELECTRIC	2
	I	ELECTROPLATE Ag	BRASS	BODY	1
131241	QTY-1	FINISH	MATERIAL	DESCRIPTION	ITEM



RECOMMENDED CABLE PREPARATION

<small>THIS DRAWING IS A CONTROLLED DOCUMENT FOR TYCO ELECTRONICS CORPORATION. IT IS SUBJECT TO CHANGE AND THE CONTROLLING ENGINEERING ORGANIZATION SHOULD BE CONTACTED FOR THE LATEST REVISION.</small>		DWN 22OCT2008 M. GREENER CHK 22OCT2008 J. AMBROSE APVD 22OCT2008 J. AMBROSE	Tyco Electronics UK Ltd. Bideford, North Devon, EX39 4HE
DIMENSIONS: mm	TOLERANCES UNLESS OTHERWISE SPECIFIED: 0 PLC ±0.5 1 PLC ±0.5 2 PLC ±0.5 3 PLC ±0.5 4 PLC ±0.5 ANGLES ±0.5 FINISH -	PRODUCT SPEC - APPLICATION SPEC - WEIGHT -	NAME PANEL JACK TNC ASSEMBLY TYPE E, KX 23 CABLE
MATERIAL SEE TABLE		SIZE A3 CAGE CODE 00779 DRAWING NO C-131241	RESTRICTED TO -
CUSTOMER DRAWING		SCALE NTS	SHEET 1 OF 1 REV B