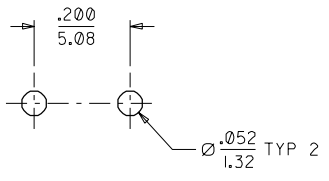
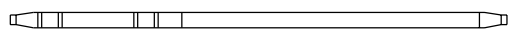
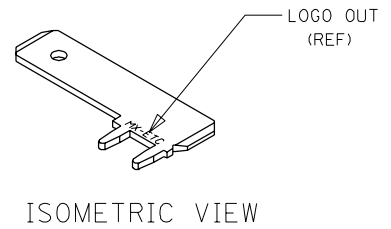
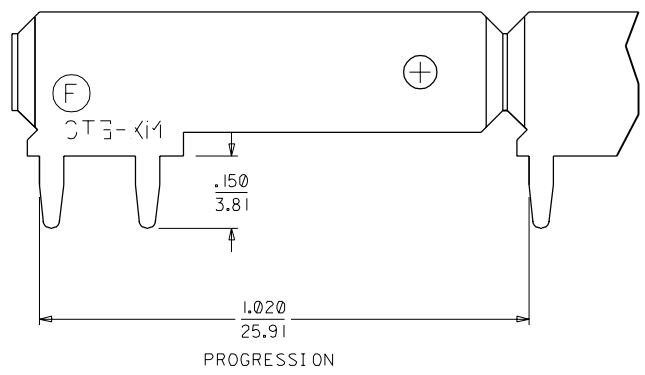
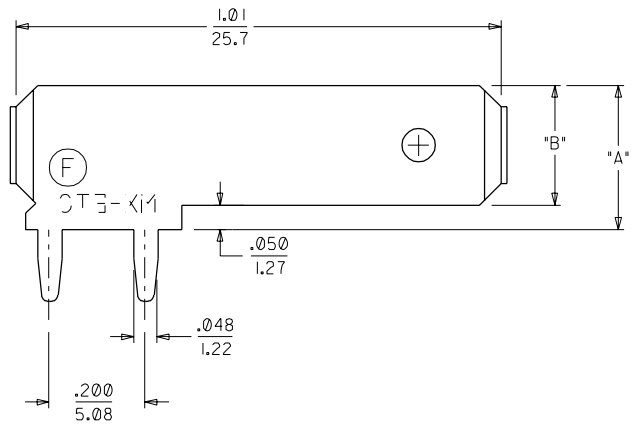
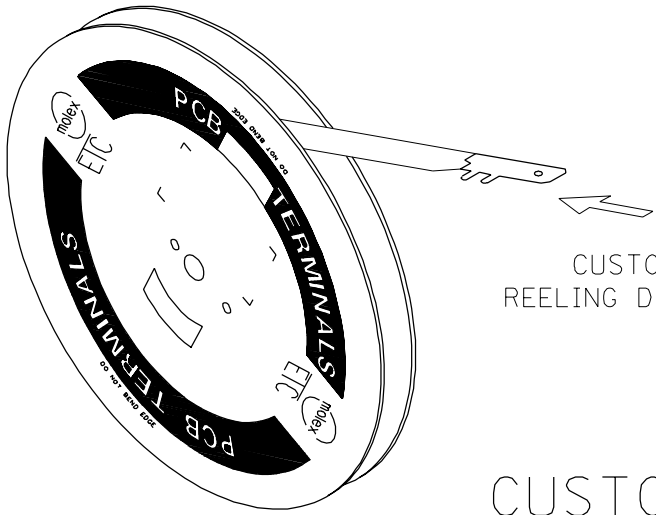


| MATERIAL NUMBER | ENGINEERING NUMBER | CUSTOMER NUMBER | CARRIER | PLATING<br>SEE NOTE 6 & 7. | DIMENSION "A" | DIMENSION "B" | HOLE |
|-----------------|--------------------|-----------------|---------|----------------------------|---------------|---------------|------|
| 197114001       | 19711-4001         | -               | LOOSE   | TIN/LEAD                   | .300          | .250          | YES  |
| 197114003       | 19711-4003         | -               | STRIP   | TIN/LEAD                   | .300          | .250          | YES  |
| 197114005       | 19711-4005         | -               | LOOSE   | TIN/LEAD                   | .300          | .250          | OMIT |
| 197114007       | 19711-4007         | -               | STRIP   | TIN/LEAD                   | .300          | .250          | OMIT |



RECOMMENDED P.W.B.  
HOLE LAYOUT



CUSTOMER DRAWING

- NOTES:
1. BARE EDGES PERMISSIBLE AT CARRIER CUT OFF.
  2. MATERIAL: BRASS.
  3. MATERIAL THICKNESS:  $.032 \pm .001 / (\varnothing .813 \pm 0.03)$
  4. TAB CONFORMS TO NEMA SPECIFICATIONS.
  5. ALL DIMENSIONS AND NOTES ARE REFERENCE ONLY UNLESS NOTED.
  6. PLATING: THICKNESS:  $90/10$  TIN/LEAD:  $150 \mu \text{in} (3.81 \mu \text{m})$  MIN THICKNESS.
  7. FINISH: MATTE

|   |   |  |  |  |                               |
|---|---|--|--|--|-------------------------------|
| MOVED LOGO FARSD<br>EC NO. ETC2002-0182<br>DRAWING: 01/12/12<br>CHK: HEB 01/12/12<br>APPR: RWD 01/12/12 | QUALITY SYMBOLS<br>MAJOR $\nabla = 0$<br>CRITICAL $\nabla = 0$  | GENERAL TOLERANCES:<br>(UNLESS SPECIFIED)  | SCALE: 5:1<br>DESIGN UNITS: <input type="checkbox"/> mm <input checked="" type="checkbox"/> INCH | DIMENSIONS:<br><input type="checkbox"/> mm <input checked="" type="checkbox"/> INCH <input type="checkbox"/> mm ONLY | SHT REV<br>REVISE ON CAD ONLY |
|   | DESCRIPTION<br>4 PLACES $\pm 0.$ $\pm .$<br>3 PLACES $\pm 0.$ $\pm .005$<br>2 PLACES $\pm 0.13$ $\pm .01$<br>1 PLACE $\pm 0.25$ $\pm .$ | DRAWN BY & DATE<br>JH 98/04/28<br>CHECKED BY & DATE<br>RWD 98/04/28<br>APPROVED BY & DATE<br>RWD 98/04/28                      | TITLE: QUICK DISCONNECT<br>PCB MOUNTABLE<br>.250 X .032 TAB<br>MOLEX INCORPORATED                |  |                               |
| REV F   | ANGLAR: $\pm 1/2^\circ$   | CAD FILENAME<br>SD-19711-400 .DGN  | MATERIAL NO.<br>SEE CHART  | DRAWING NO.<br>SD-19711-400  | SHEET NO.<br>1 OF 1<br>SIZE C |
| DRAFT WHERE APPLICABLE MUST REMAIN WITHIN DIMENSIONS  |   | THIS DRAWING CONTAINS INFORMATION THAT IS PROPRIETARY TO MOLEX INCORPORATED AND SHOULD NOT BE USED WITHOUT WRITTEN PERMISSION. |  |  |                               |