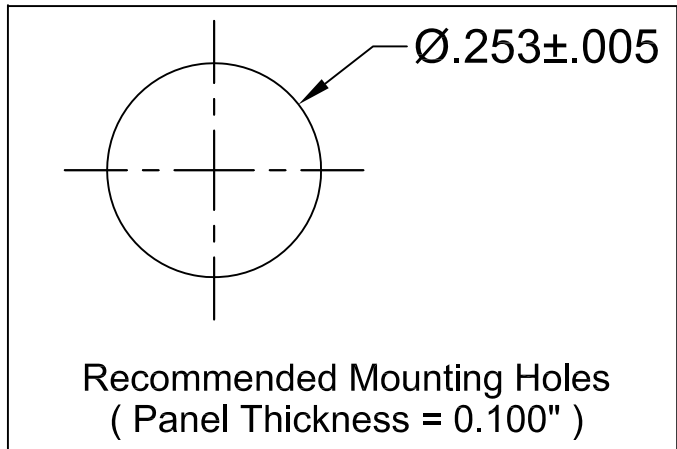
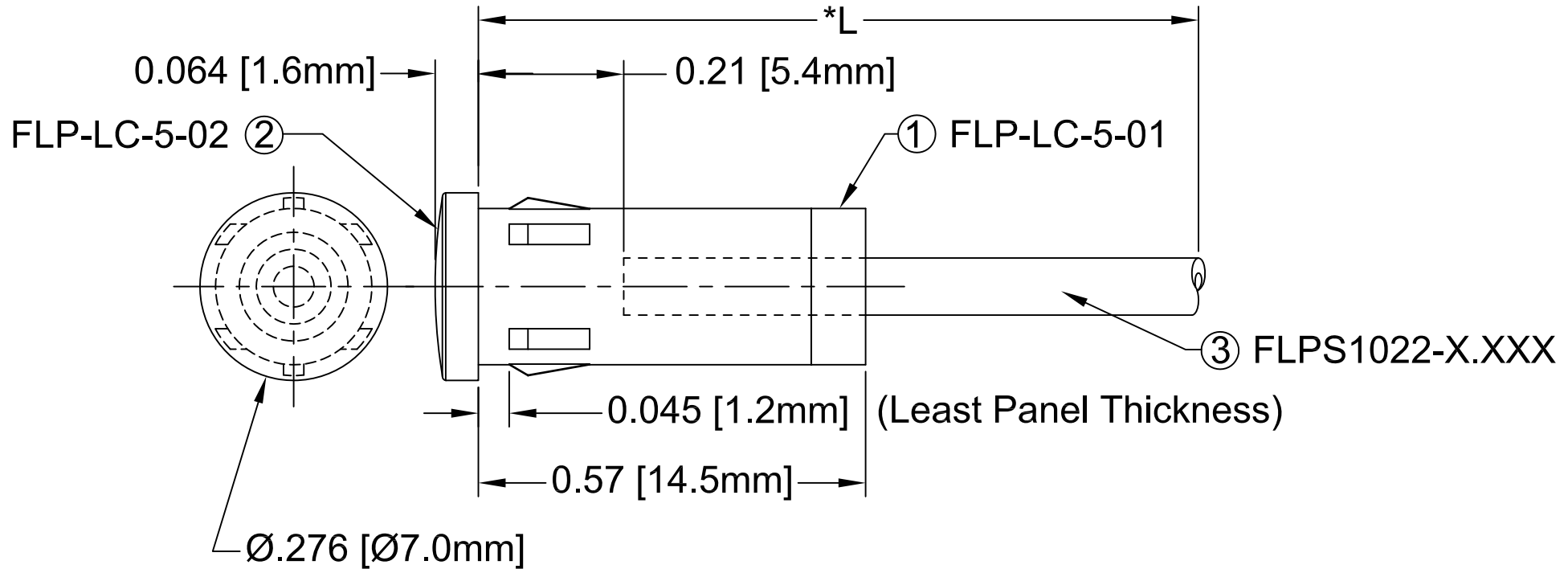



ITEM	Q'TY	PART NUMBER	PART DESCRIPTION
1	1	FLP-LC-5-01	HOLDER CAP, FLEXIBLE LIGHT-PIPE, INSERT
2	1	FLP-LC-5-02	HOLDER CAP, FLEXIBLE LIGHT-PIPE, BODY
3	1	FLPS1022-X.XXX	LIGHT PIPE CABLE, CUT LENGTH IN INCHES

REV.	DESCRIPTION	DATE	APPROVED
C	Engineering Update w/o Changes	03/05/04	M. C.
D	Dimensioning Update w/o Changes	01/05/05	M. C.
E	FLP Length Update.	10/18/05	M. C.
F	FLP Length Clarification.	01/11/06	M. C.
G	Updated Fiber in BOM	11/16/12	T. Y.



" L "	Tolerance
0.750" ~ 16.000"	± 0.050 "
16.100" ~ 40.000"	± 0.150 "
40.100" ~ 80.000"	± 0.300 "
80.100" ~ 3,940.0"	$\pm 0.5\%$

*NOTE:
ALLOWABLE CUT LENGTH IS UP TO 3 DECIMAL PLACES.

STANDARD TOLERANCE (UNLESS OTHERWISE SPECIFIED)		 BIVAR [®] 4 THOMAS, IRVINE, CA. 92618 TEL: (949) 951-8808 FAX: (949) 951-3974
DECIMALS	ANGULAR	
.X $\pm .1$	X° $\pm 1^\circ$	TITLE: LENS CAP / FLP ASSEMBLY, 7mm ROUND PART NO: FLP5-XX.X REVISION: G
.XX $\pm .02$		
.XXX $\pm .010$		
DESIGNED: Shane Irving	DATE: 05/22/02	CAGE CODE : 32559 SHEET # 1 OF 1
CHECKED: M. Chen	DATE: 05/22/02	CAD GENERATED DOCUMENT, DO NOT MEASURE DRAWING.