

THIS DRAWING IS UNPUBLISHED.

RELEASED FOR PUBLICATION APR ,2003.

LOC GP DIST 00

REVISIONS

© COPYRIGHT 2003 By -

ALL RIGHTS RESERVED.

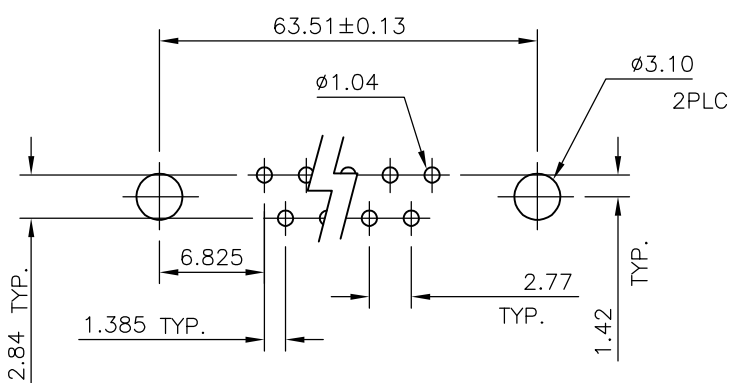
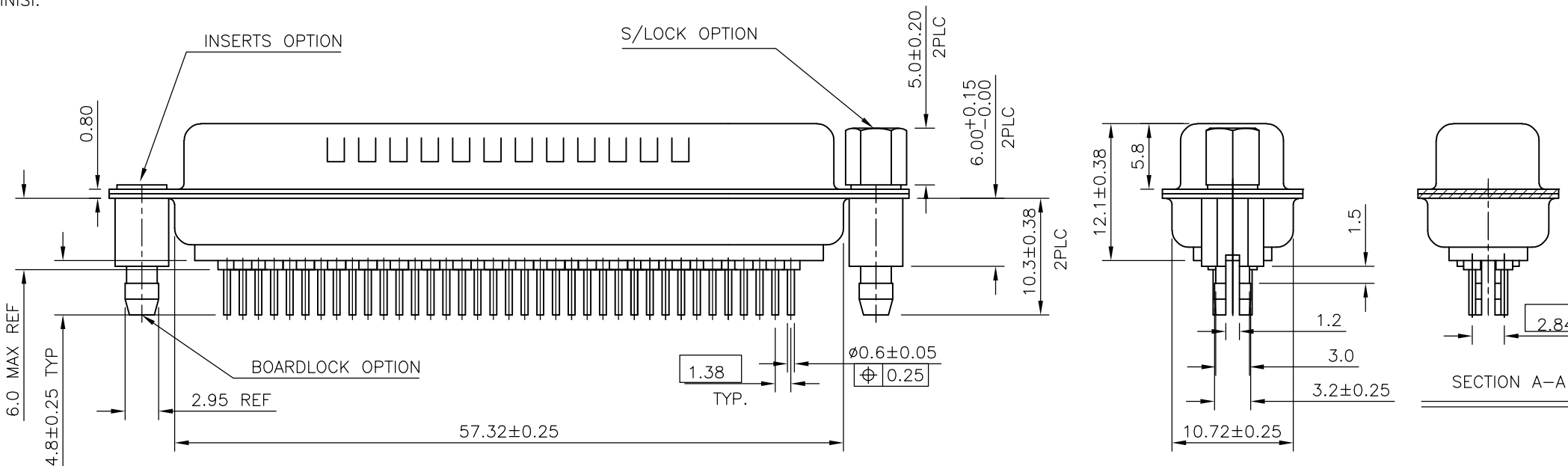
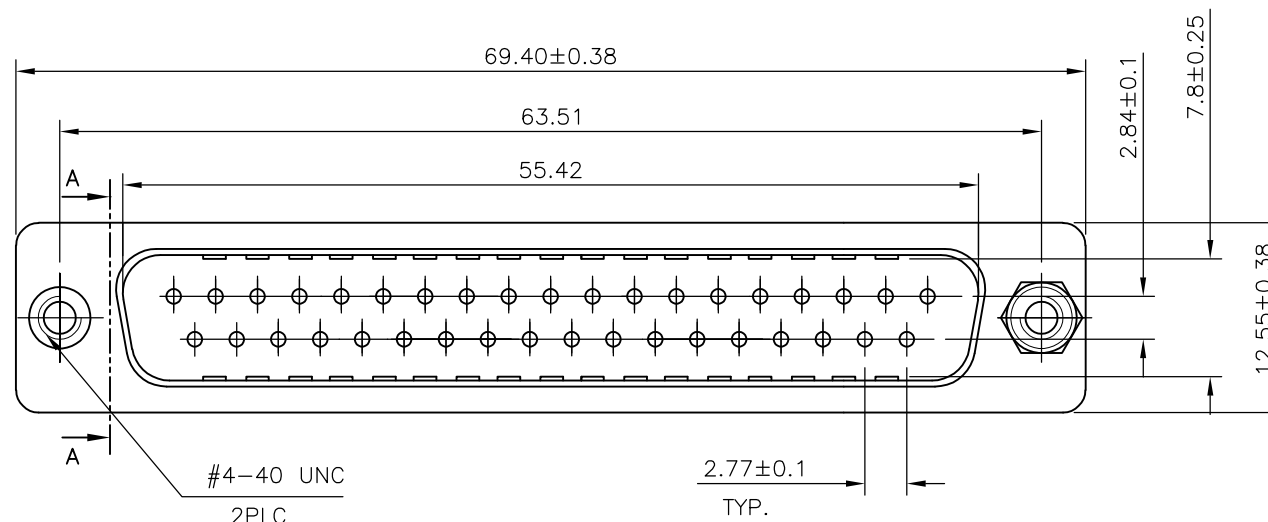
P	LTR	DESCRIPTION	DATE	DWN	APVD
	J	REVISED PER ECO-14-000651	06FEB2014	AP	SB

1 MATERIAL
 HOUSING : THERMOPLASTIC, UL94V-0, BLACK
 CONTACTS : BRASS.
 SHELL : STEEL
 SCREW : BRASS.
 BOARD LOCK : BRASS.
 SCREW OF TORQUE : 5 Kg-cm MAX.

2 FINISH
 CONTACT : 15µ" MIN.GOLD PLATING ON CONTACT AREA
 100µ" MIN. TIN PLATING ON SOLDER TAILS
 50µ" MIN. NICKEL UNDERPLATED OVERALL
 SHELL : 100µ" MIN NICKEL PLATING.
 SCREW : 50µ" MIN. NICKEL PLATING.
 BOARD LOCK : 50µ" MIN. NICKEL PLATING.

3 CHARACTERISTICS
 CURRENT RATING : 3A
 INSULATION RESISTANCE : 1000MOHMS MIN, 500VDC FOR 2MINS.
 TEMPERATURE RATING : -55DEGC ~ +105DEGC
 VOLTAGE RATING : 250VDC

4 OBSOLETE PARTS: OBSOLETE CIS STREAMLINING PER D.RENAUD/D.SINISI.



RECOMMENDED PCB LAYOUT(TOP VIEW)
 (PCBTOLERANCE : ±0.05)

4	OBSOLETE	37W D PLG WITH B/L & M3 S/LOCK 15µ" GOLD	4-1634221-2
		37W D PLG WITH B/L & 4-40 S/LOCK 15µ" GOLD	3-1634221-2
4	OBSOLETE	37W D PLG WITH B/L & M3 INSERTS 15µ" GOLD	2-1634221-2
		37W D PLG WITH B/L & 4-40 INSERTS 15µ" GOLD	1-1634221-2
		DESCRIPTION	TE PART NO.

DIMENSIONS:		TOLERANCES UNLESS OTHERWISE SPECIFIED:		DWN J.SANDWELL 10APR03		CHK R.DYER 10APR03		APVD F.WHEELER-KING 10APR03		NAME	
mm		0 PLC	± -	PRODUCT SPEC		-		APPLICATION SPEC		-	
		1 PLC	± 0.25	MATERIAL		-		WEIGHT		-	
		2 PLC	± 0.15	FINISH		-		CUSTOMER DRAWING		SCALE 2:1	
		3 PLC	± -					SIZE A3		CAGE CODE 00779	
		4 PLC	± -					DRAWING NO		G-1634221	
		ANGLES	± 3'					RESTRICTED TO		-	
								SHEET		1 OF 2	
								REV		J	



D-SUB HD20, VERTICAL,
 37P PLUG CONNECTOR

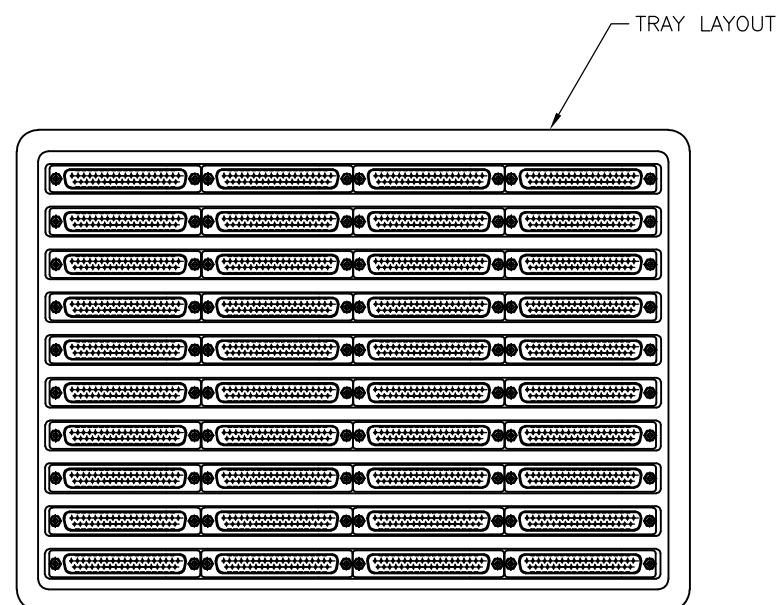
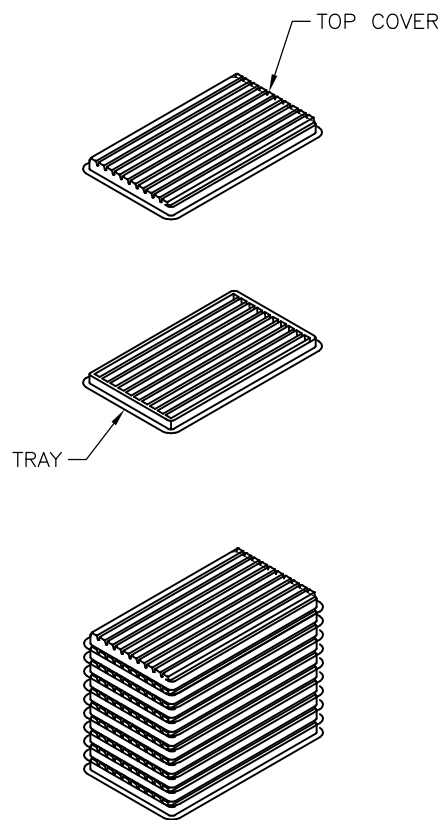
THIS DRAWING IS UNPUBLISHED.

RELEASED FOR PUBLICATION APR , 2003.

© COPYRIGHT 2003 By -

ALL RIGHTS RESERVED.

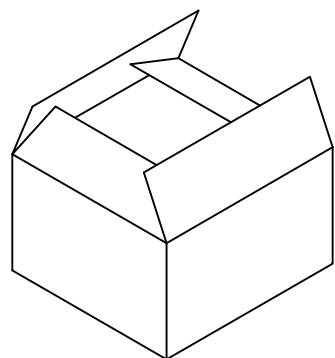
LOC GP	DIST 00	REVISIONS		
P	LTR	DESCRIPTION	DATE	DWN
	-	SEE SHEET 1	-	-
				APVD
				-



MATERIAL
 1 TRAY: PVC
 2 SHIPPING CARTON: CORRUGATED FIBERBOARD

DIMENSIONS
 1 TRAY: L=310, W=230, H=21
 2 SHIPPING CARTON: L=330, W=245, H=160

QUANTITY
 40 PCS/TRAY
 10 TRAY/SHIPPING CARTON



THIS DRAWING IS A CONTROLLED DOCUMENT.		DWN J.SANDWELL 10APR03	STE TE Connectivity	
DIMENSIONS: mm		CHK R.DYER 10APR03		
TOLERANCES UNLESS OTHERWISE SPECIFIED:		APVD F.WHEELER-KING 10APR03	NAME D-SUB HD20, VERTICAL, 37P PLUG CONNECTOR	
0 PLC ± -		PRODUCT SPEC	-	
1 PLC ± 0.25		APPLICATION SPEC	-	
2 PLC ± 0.15		WEIGHT	-	
3 PLC ± -		CUSTOMER DRAWING	SIZE A3	CAGE CODE 00779
4 PLC ± -		FINISH	DRAWING NO C-1634221	RESTRICTED TO -
ANGLES ± 3°			SCALE 2:1	SHEET 2 OF 2
MATERIAL -			REV J	