

10119130 - X0C - XXXLF

LEAD-FREE DESIGNATION ONLY WITH APPLICABLE PLATING CODES

LETTER	PLATING (SEE NOTE 6)	
	APPLICATION	TYPE (REFERENCE)
B	TELCORDIA CO	0.76µm GOLD or GXT
C	TELCORDIA UE	1.27µm GOLD
D	TELCORDIA CO	0.76µm GOLD or GXT, LEAD-FREE
E	TELCORDIA UE	1.27µm GOLD, LEAD-FREE

6-COLUMN DIFFERENTIAL SIGNAL

NUMBER	GUIDE PIN STYLE (SEE NOTE 8)
0	STANDARD GUIDE PIN, MACHINED
1	STANDARD GUIDE PIN, ROLLED

MODULE DESCRIPTION	LETTER DESIGNATION REPRESENTED IN DASH NUMBER										BASE MODULE
LEFT POLARIZING GUIDANCE MODULE (SEE SHEET 6)	N	J	A	B	C	D	E	F	G	H	
	NO KEY NO GUIDE PIN										
RIGHT POLARIZING GUIDANCE MODULE (SEE SHEET 7)	Z	Y	P	Q	R	S	T	U	V	W	
	NO KEY NO GUIDE PIN										
OPEN MODULE (TWO WALL) (SEE SHEET 2)	0 (ZERO)										
LEFT WALL MODULE (SEE SHEET 3)	L										
RIGHT WALL MODULE (SEE SHEET 4)	M										
FOUR WALL MODULE (SEE SHEET 5)	I (ONE)										

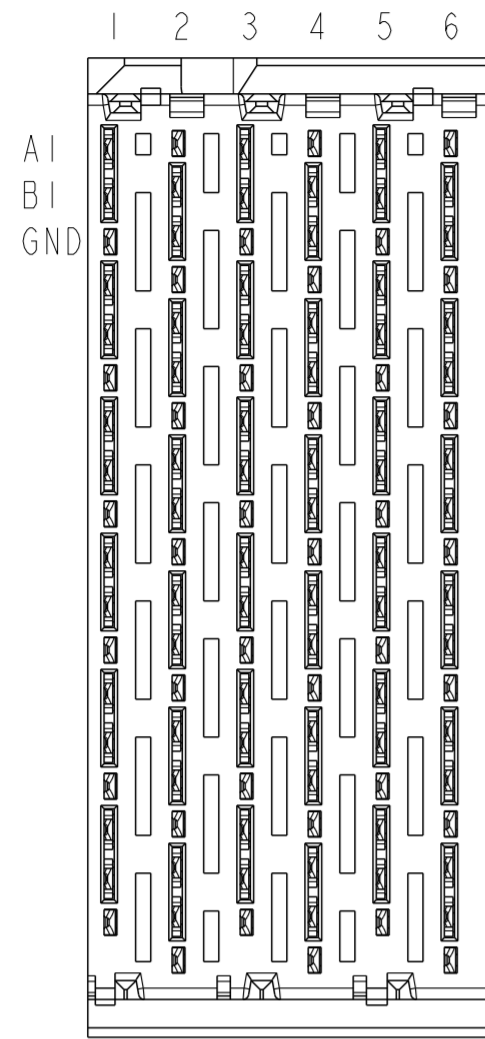
NUMBER	CONTACT MATING WIPE LENGTH		COMPLIANT TAIL TYPE (SEE NOTE 9)
	SIGNAL	GROUND	
1	2 MM	4 MM	0.55 (0.0217") DRILL
2	3 MM	4 MM	0.55 (0.0217") DRILL
3	2 MM	4 MM	0.45 MICRO (0.0177") DRILL
4	3 MM	4 MM	0.45 MICRO (0.0177") DRILL
5	2 MM	3 MM	0.55 (0.0217") DRILL
6	3 MM	3 MM	0.55 (0.0217") DRILL
7	2 MM	3 MM	0.45 MICRO (0.0177") DRILL
8	3 MM	3 MM	0.45 MICRO (0.0177") DRILL

FOR CUSTOM-LOADED MODULES, SEE INDIVIDUAL CUSTOM DRAWINGS WITH THE DRAWING-NUMBER FORMAT OF 10119130-XXXX, WHERE: "X" DENOTES MODULE TYPE PER CHART ON THIS SHEET "YYYY" IS A SEQUENTIAL NUMBER BEGINNING WITH "0001".

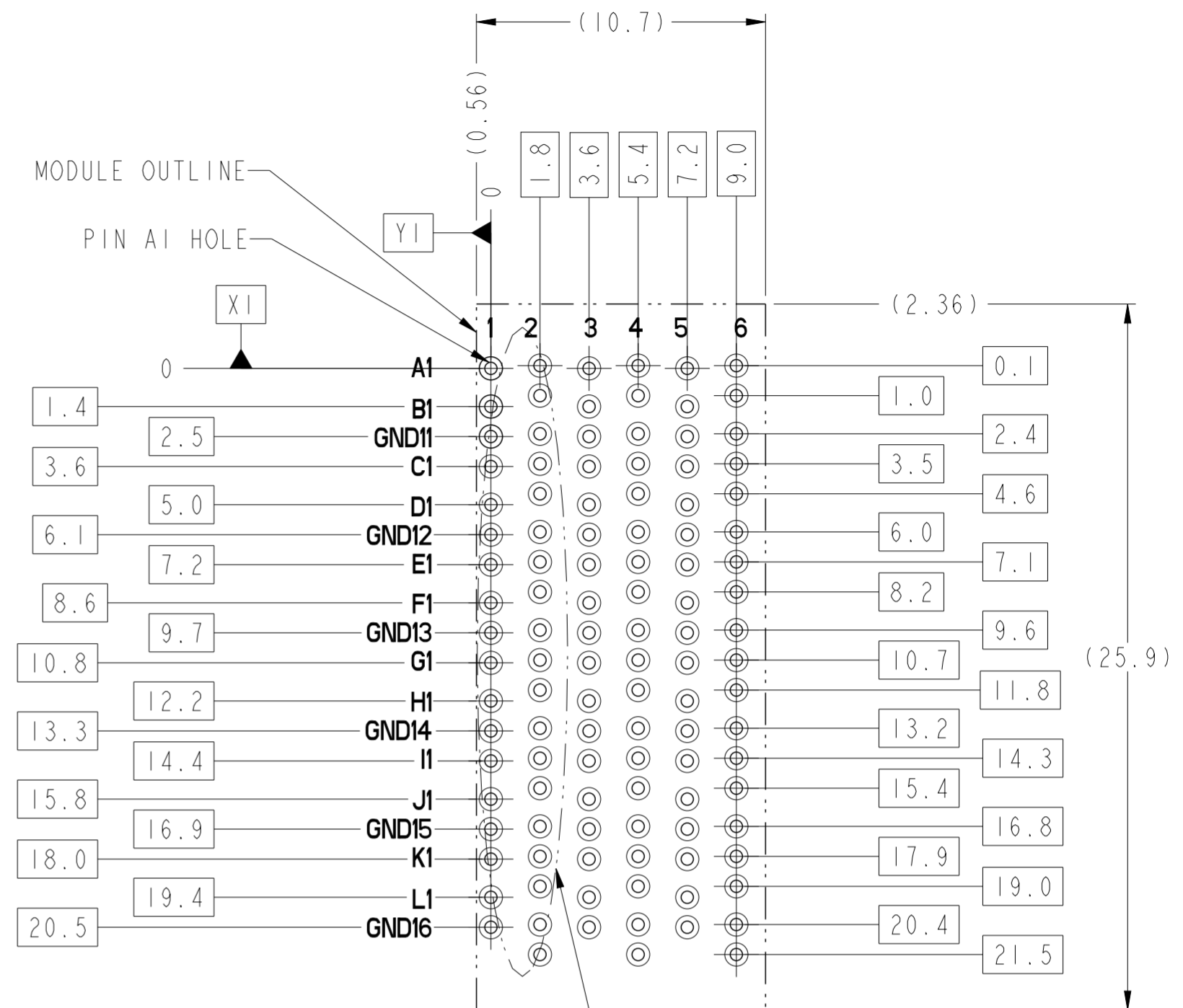
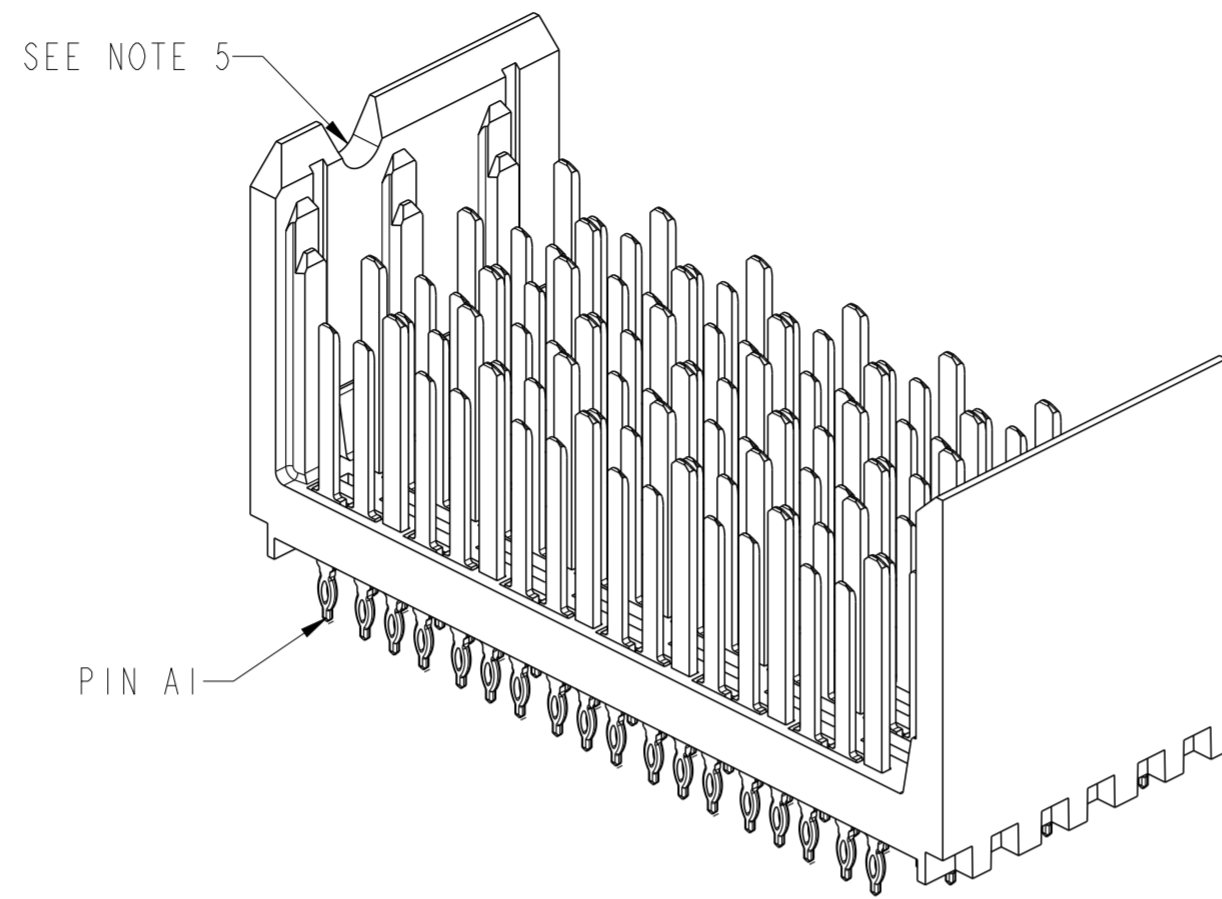
	UNGROUND	GROUND
FHS	∅2.35-∅2.55	∅2.35-∅2.55
PAD	N/A	∅5.50
PLATED	NO	YES
DRILL(mm)	2.44mm	2.58mm
DRILL(in)	0.096"	0.1015"

SCREW P/N	DESCRIPTION	BOARD THICKNESS
10091790-002LF	#2-56 X 0.375" LG. PHILIPS PANHEAD W/SQ CONICAL WASHER	1.60-5.00mm
10091790-003LF	#2-56 X 0.375" LG. PHILIPS PANHEAD W/SQ CONICAL WASHER	5.00-10.00mm

spec ref	-	dr	Mary Glass	2012/02/09	projection	MM	size	A2	scale	2:1
tolerance std	ASME Y14.5	eng	Sandar Soe	2016/03/08	chr	-	ecn no	ELX-S-17624-1	rel level	Released
surface	linear	appr	Chen-Hong Tan	2016/03/17	product family	XCEDE HD	rel level	Released	cat. no.	-
ASME Y14.5	angular	0°	±2°	Amphenol FCI	VERTICAL HEADER ASSEMBLY	XCEDE HD 6 PAIR, 6 COLUMN	10119130	rev	C	sheet 1 of 8

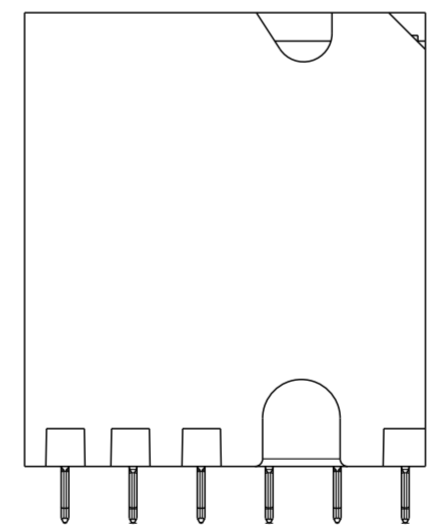
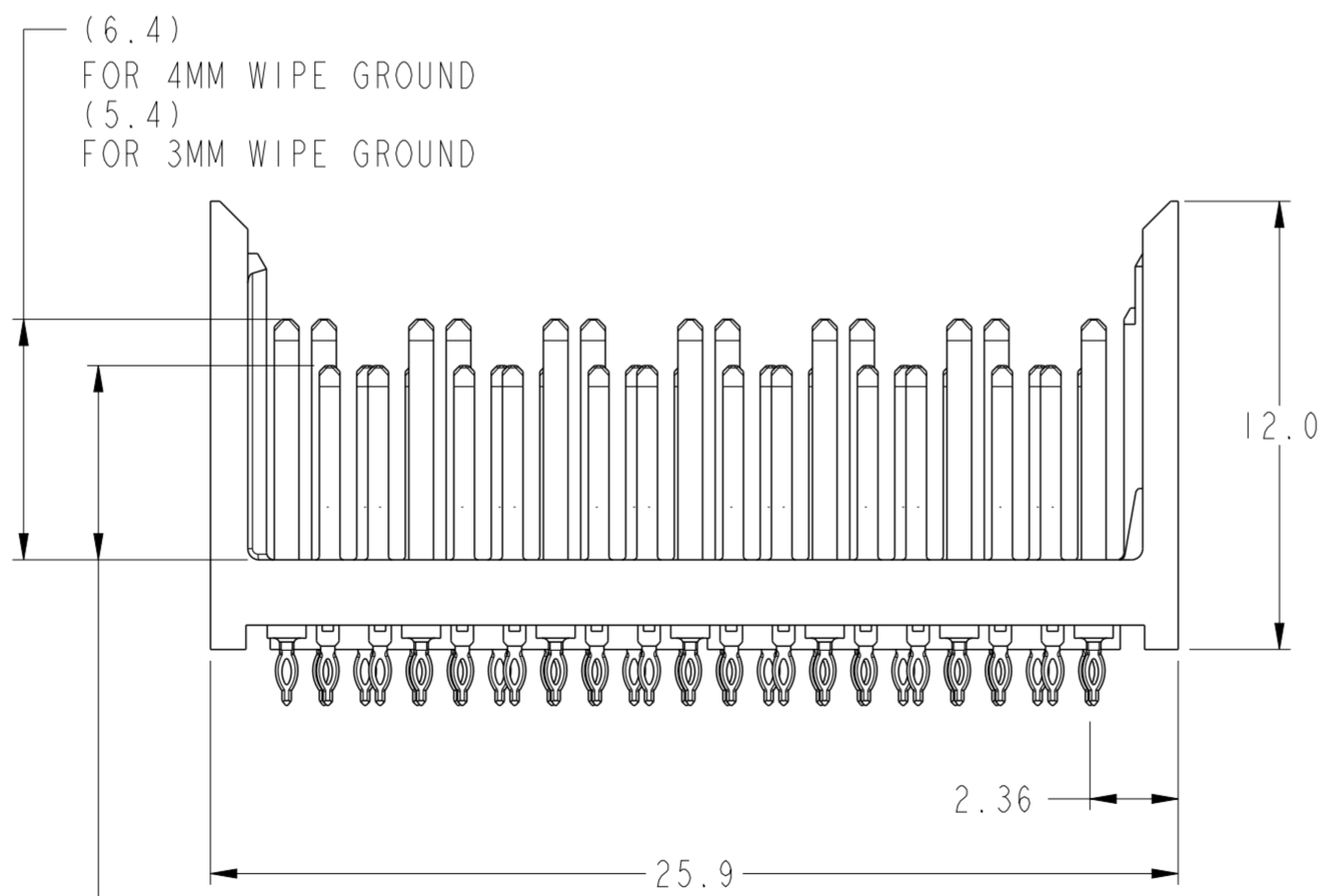
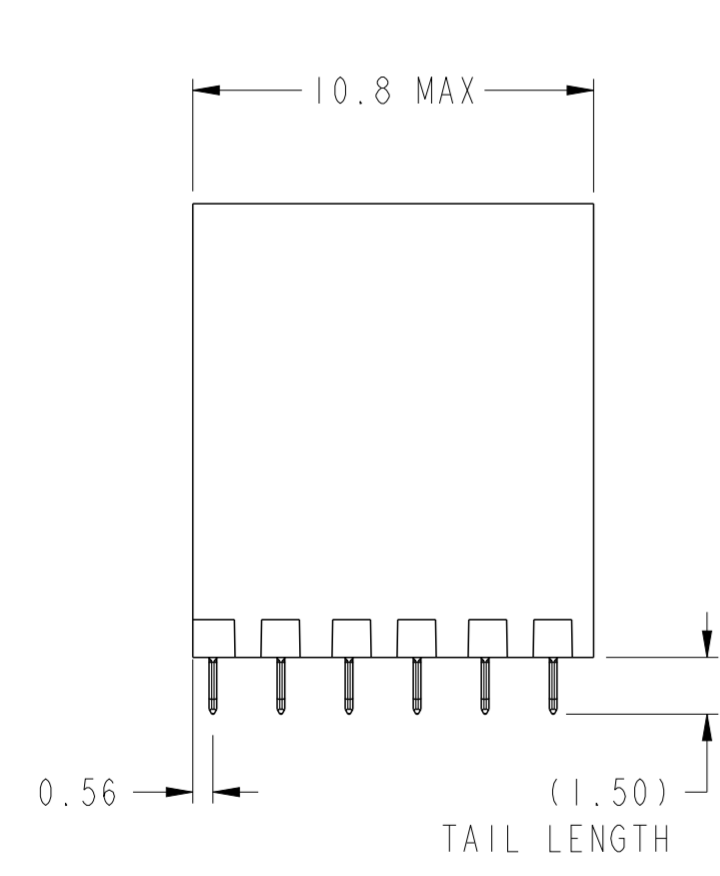


OPEN WALL MODULE

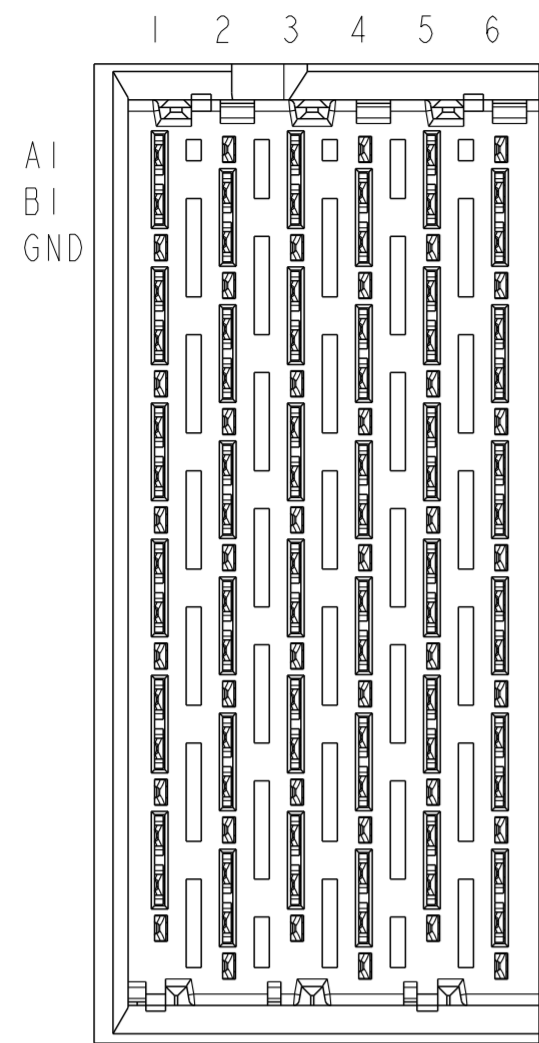


SEE DETAIL A ON SHEET 8 FOR PINOUT DETAILS

BP HOLE PATTERN COMPONENT SIDE
OPEN WALL MODULE BACKPLANE FOOTPRINT

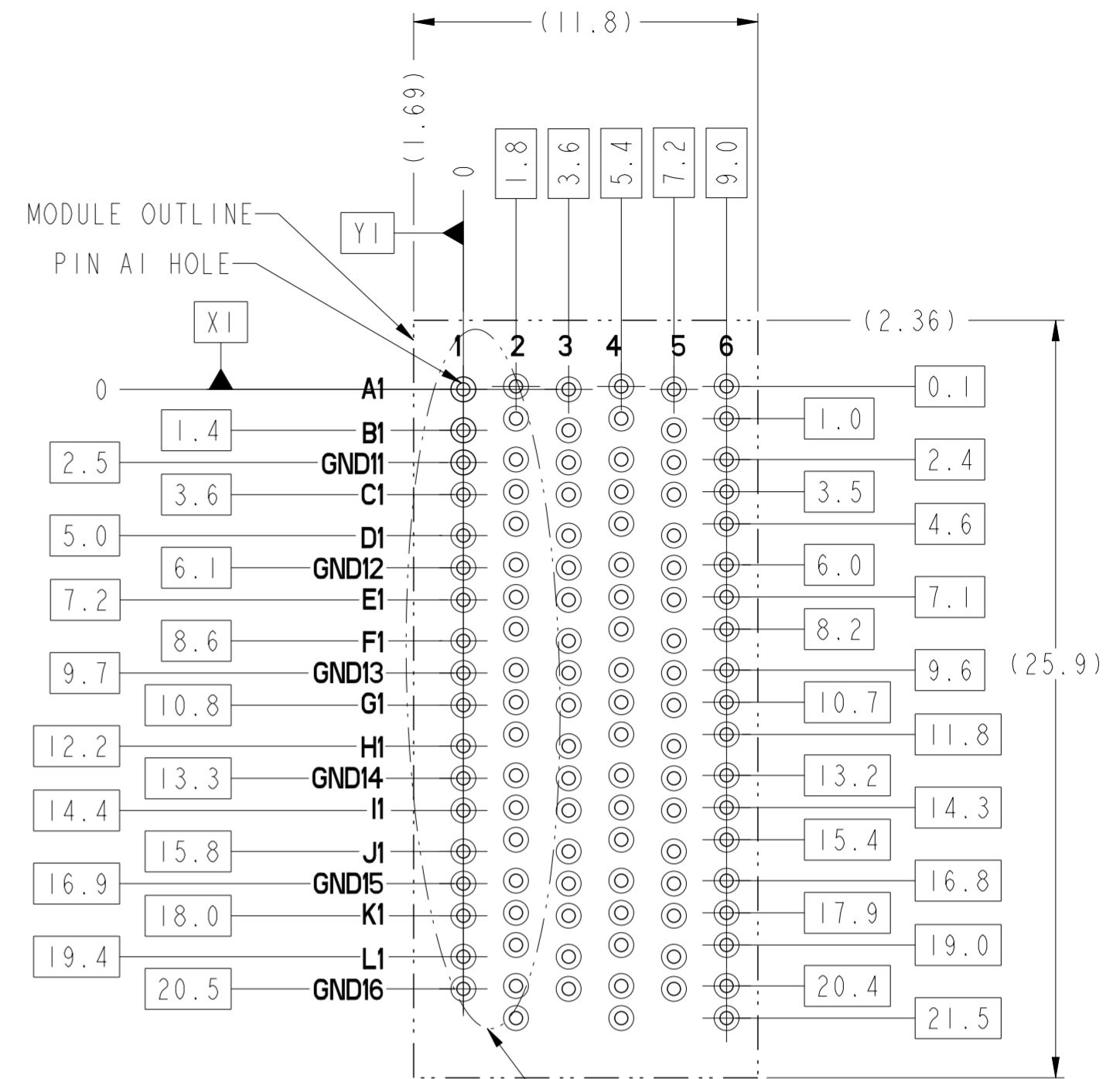
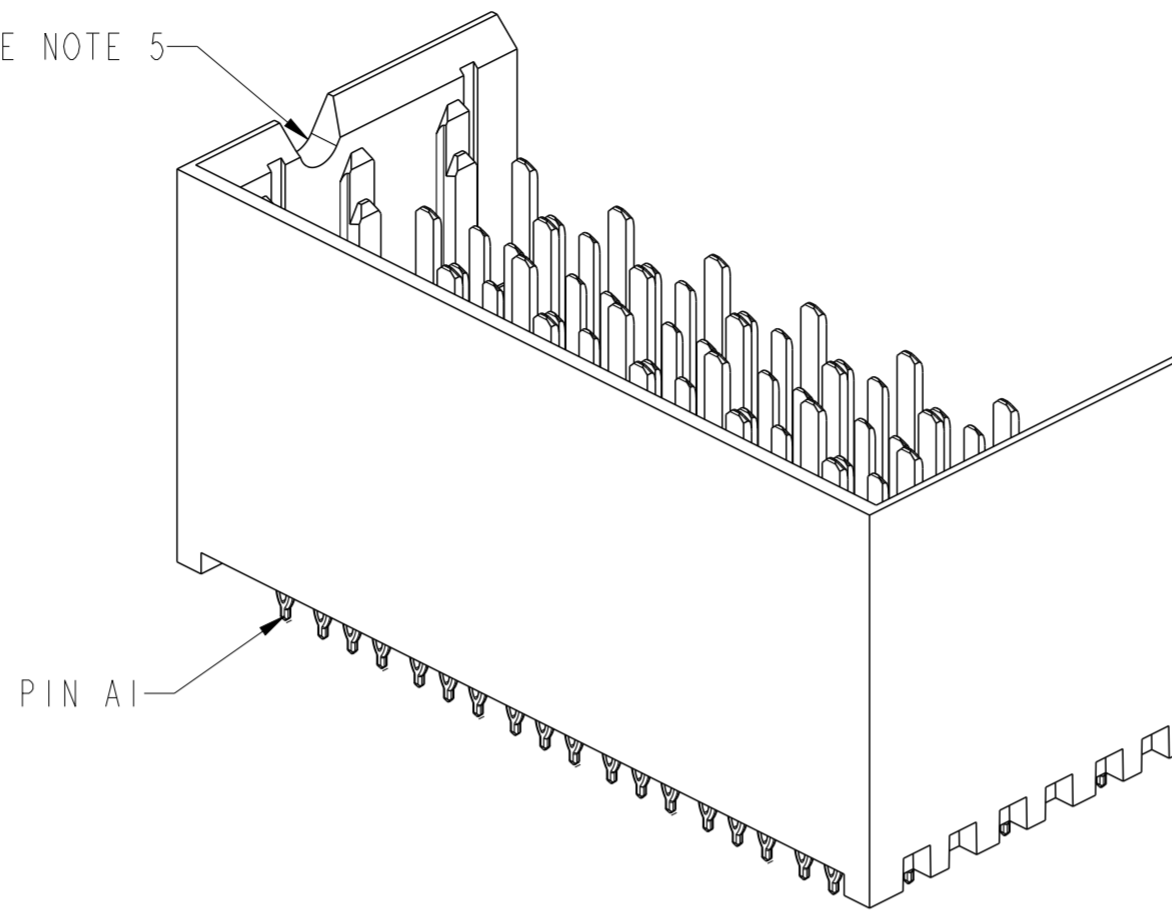


spec ref	-	dr	Mary Glass	2012/02/09	projection	MM	size	A2	scale	5:1	
tolerance std	ASME Y14.5	eng	Sandar Soe	2016/03/08			ecn no	ELX-S-17624-1	rel level	Released	
TOLERANCES UNLESS OTHERWISE SPECIFIED		chr	-	appr							Chen-Hong Tan
surface	ASME Y14.5	linear	0.X	±0.3	0.XX	±0.10	0.XXX	±0.05	angular	0°	±2°
www.fci.com		Amphenol FCI		VERTICAL HEADER ASSEMBLY		XCEDE HD 6 PAIR, 6 COLUMN		10119130		rev	C
cat. no.		-		Product - Customer Drw		sheet 2 of 8					



LEFT WALL MODULE

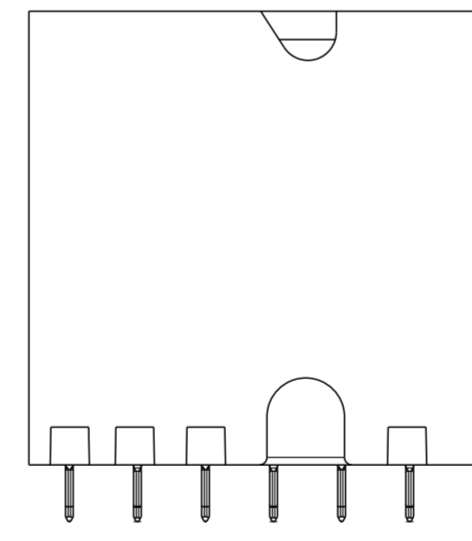
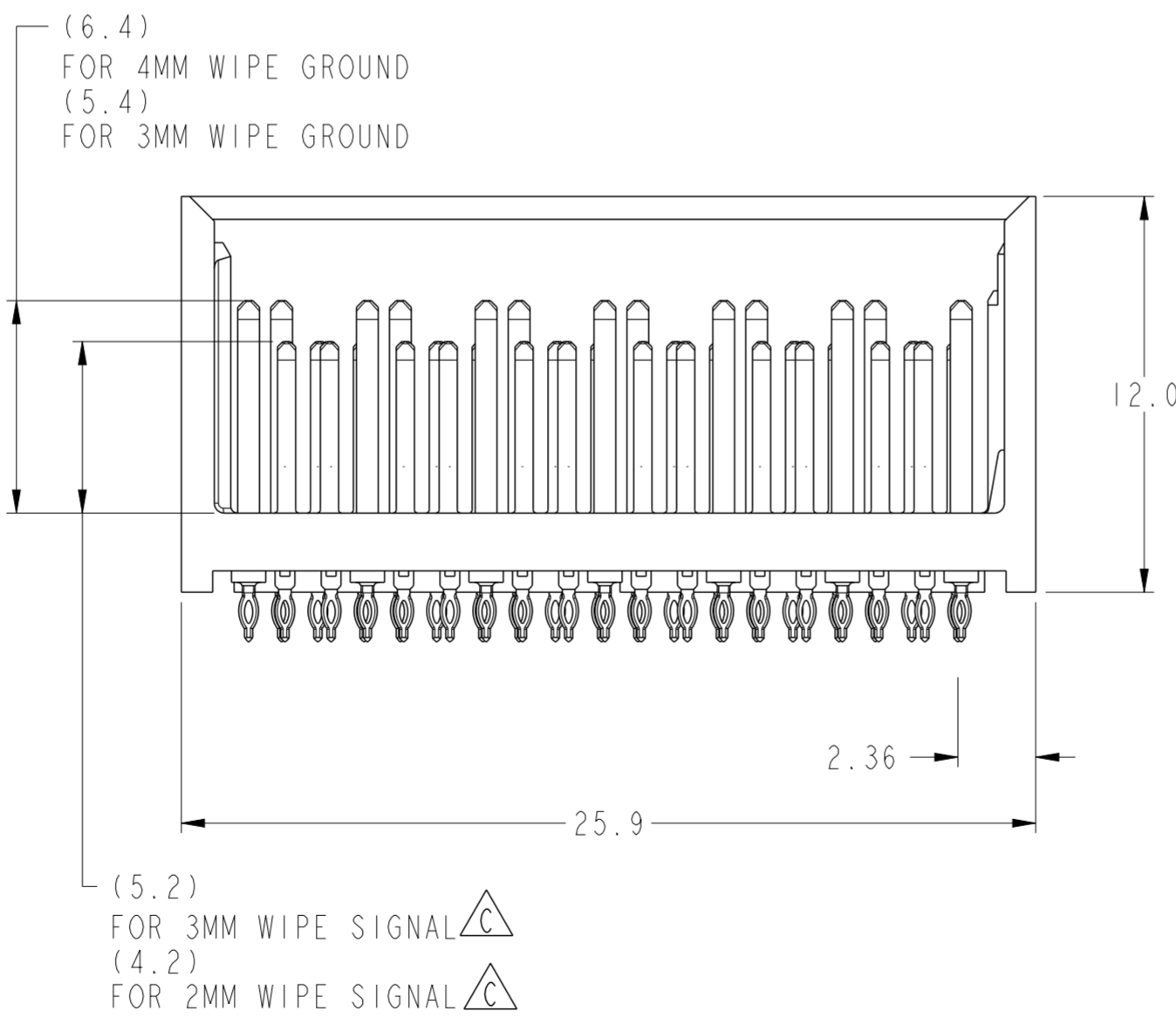
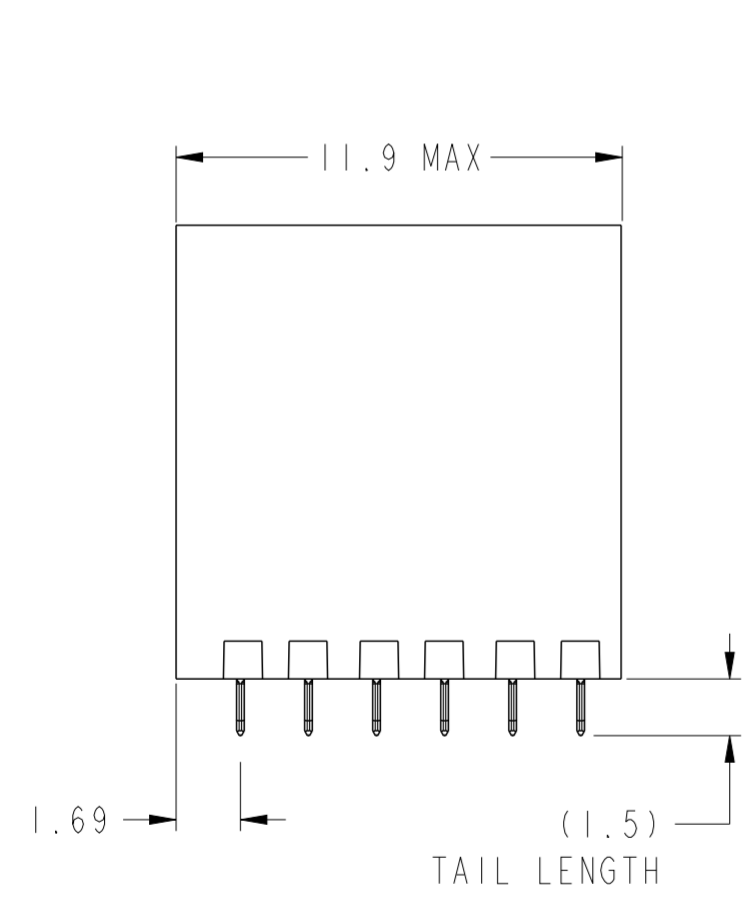
SEE NOTE 5



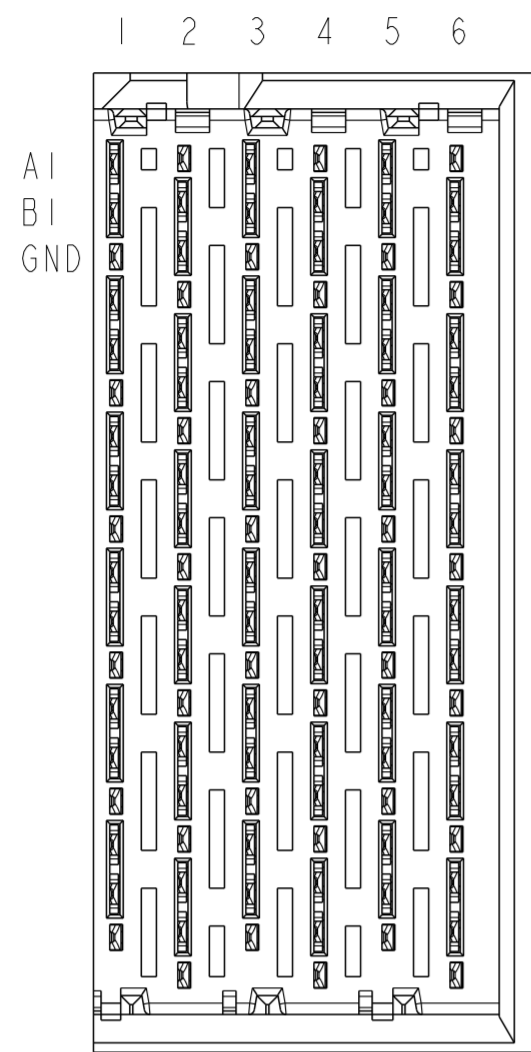
SEE DETAIL A ON SHEET 8 FOR PINOUT DETAILS

BP HOLE PATTERN COMPONENT SIDE

LEFT WALL MODULE BACKPLANE FOOTPRINT

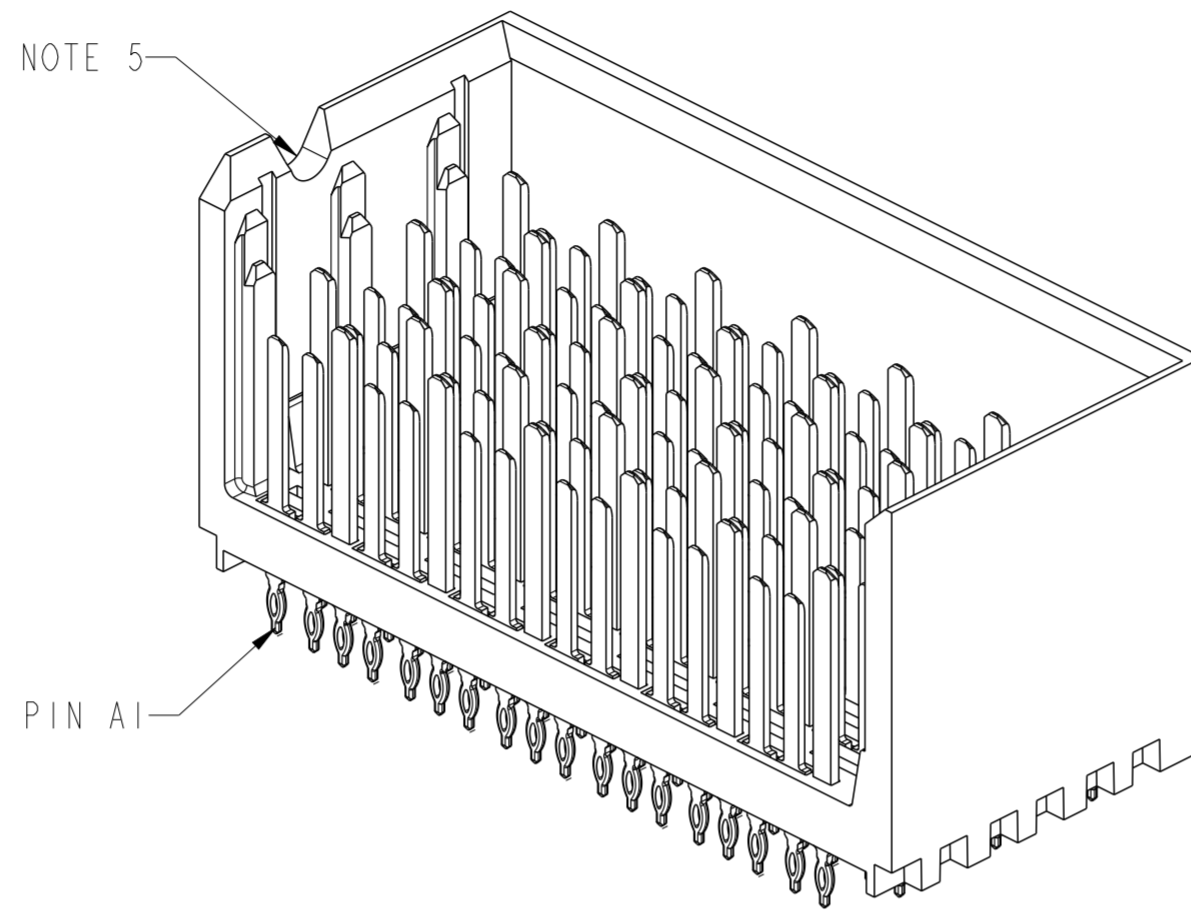


spec ref	-	dr	Mary Glass	2012/02/09	projection	MM	size	A2	scale	5:1
tolerance std	ASME Y14.5	eng	Sandar Soe	2016/03/08	chr	-	ecn no	ELX-S-17624-1	rel level	Released
surface	ASME Y14.5	appr	Chen-Hong Tan	2016/03/17	product family	XCEDE HD	rel level	Released	cat. no.	Product - Customer Drw
linear	0.X ±0.3 0.XX ±0.10 0.XXX ±0.05	angular	0° ±2°	Amphenol FCI VERTICAL HEADER ASSEMBLY XCEDE HD 6 PAIR, 6 COLUMN www.fci.com		title 10119130 rev C	sheet 3 of 8			

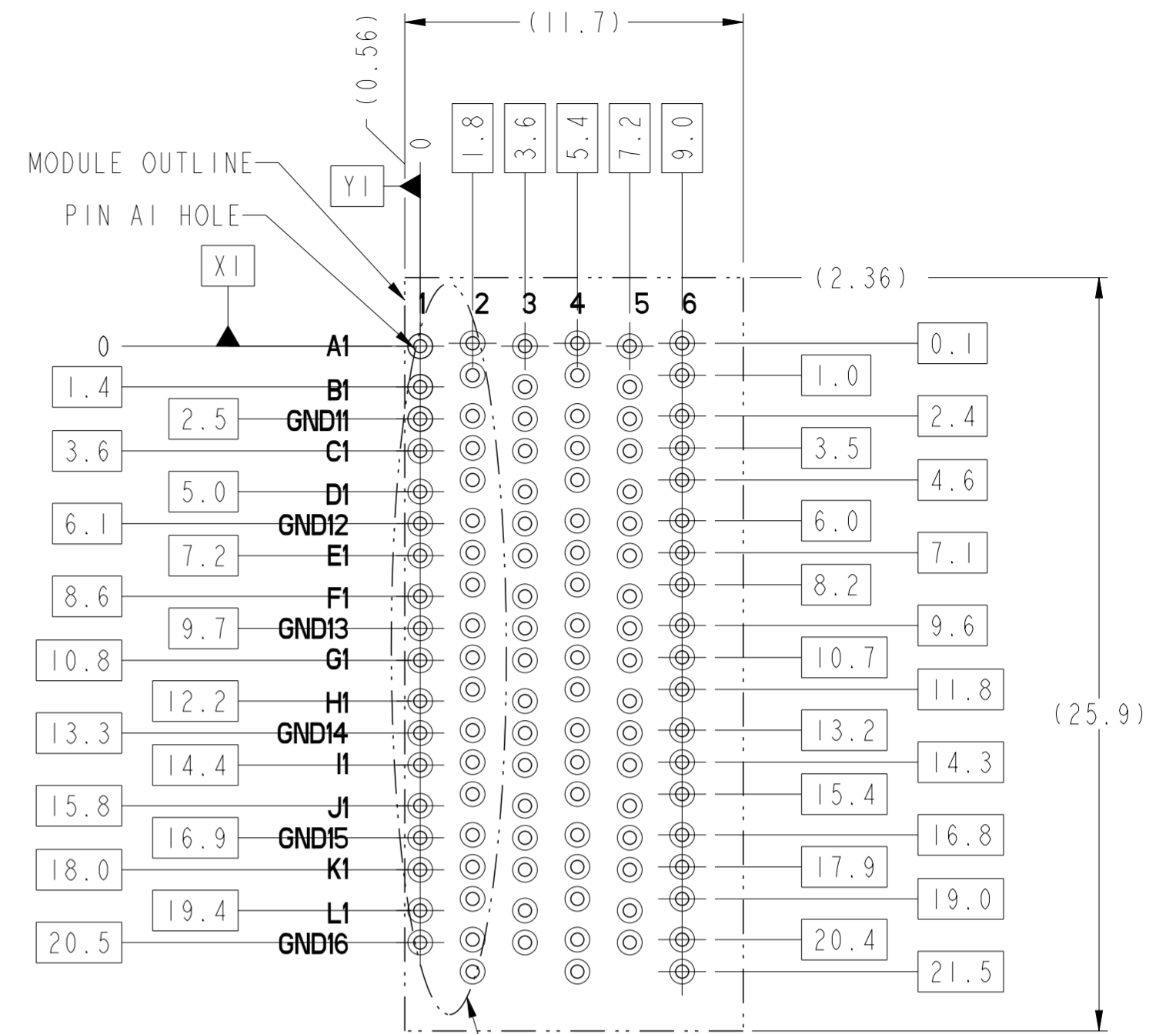


RIGHT WALL MODULE

SEE NOTE 5



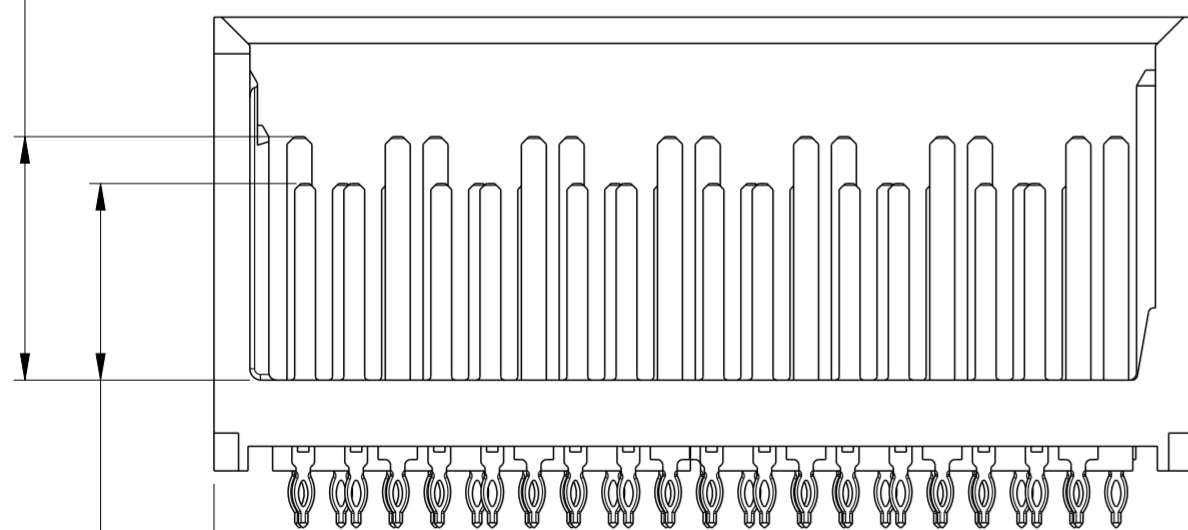
PIN AI



SEE DETAIL A ON SHEET 8 FOR PINOUT DETAILS

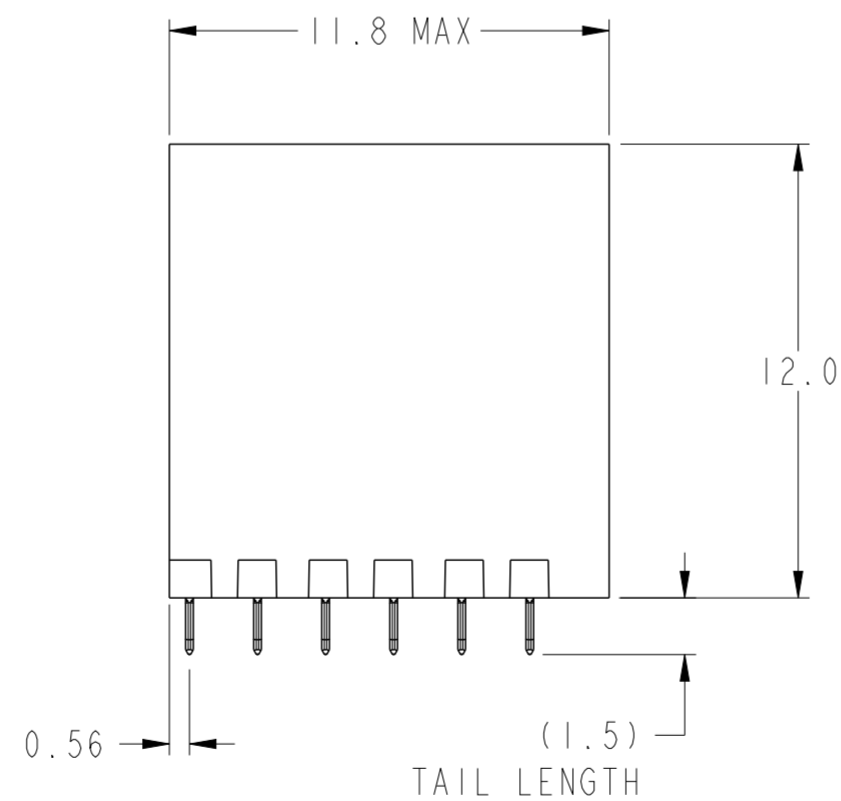
BP HOLE PATTERN COMPONENT SIDE
RIGHT WALL MODULE BACKPLANE FOOTPRINT

(6.4)
FOR 4MM WIPE GROUND
(5.4)
FOR 3MM WIPE GROUND



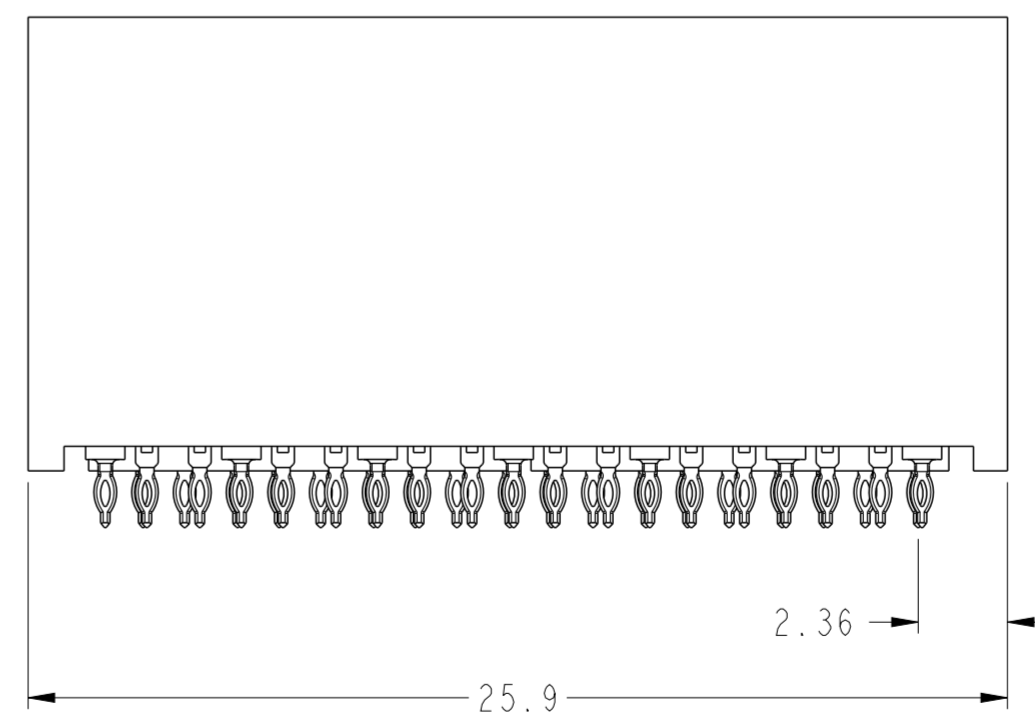
2.36

(5.2)
FOR 3MM WIPE SIGNAL
(4.2)
FOR 2MM WIPE SIGNAL



0.56

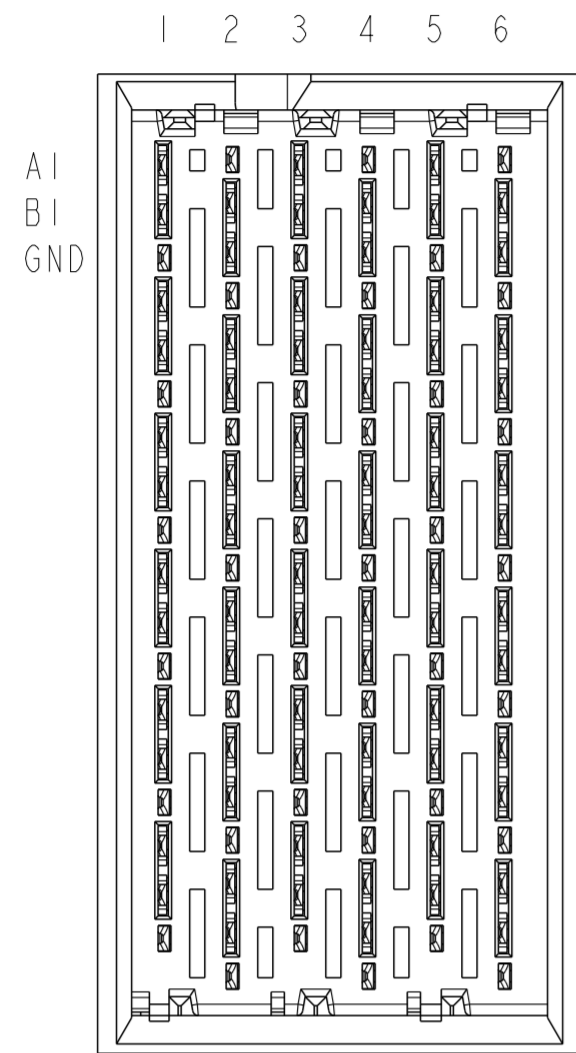
TAIL LENGTH (1.5)



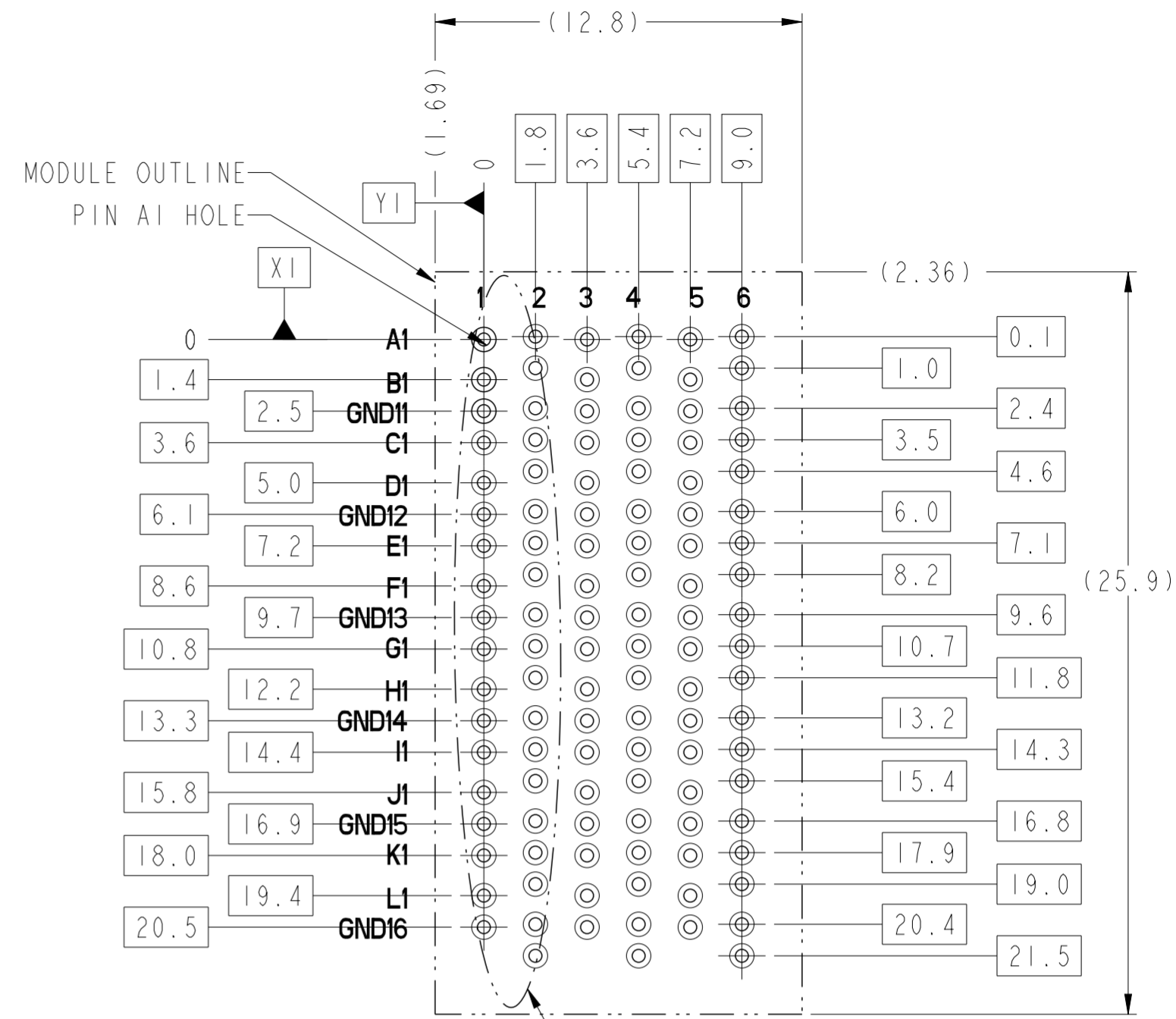
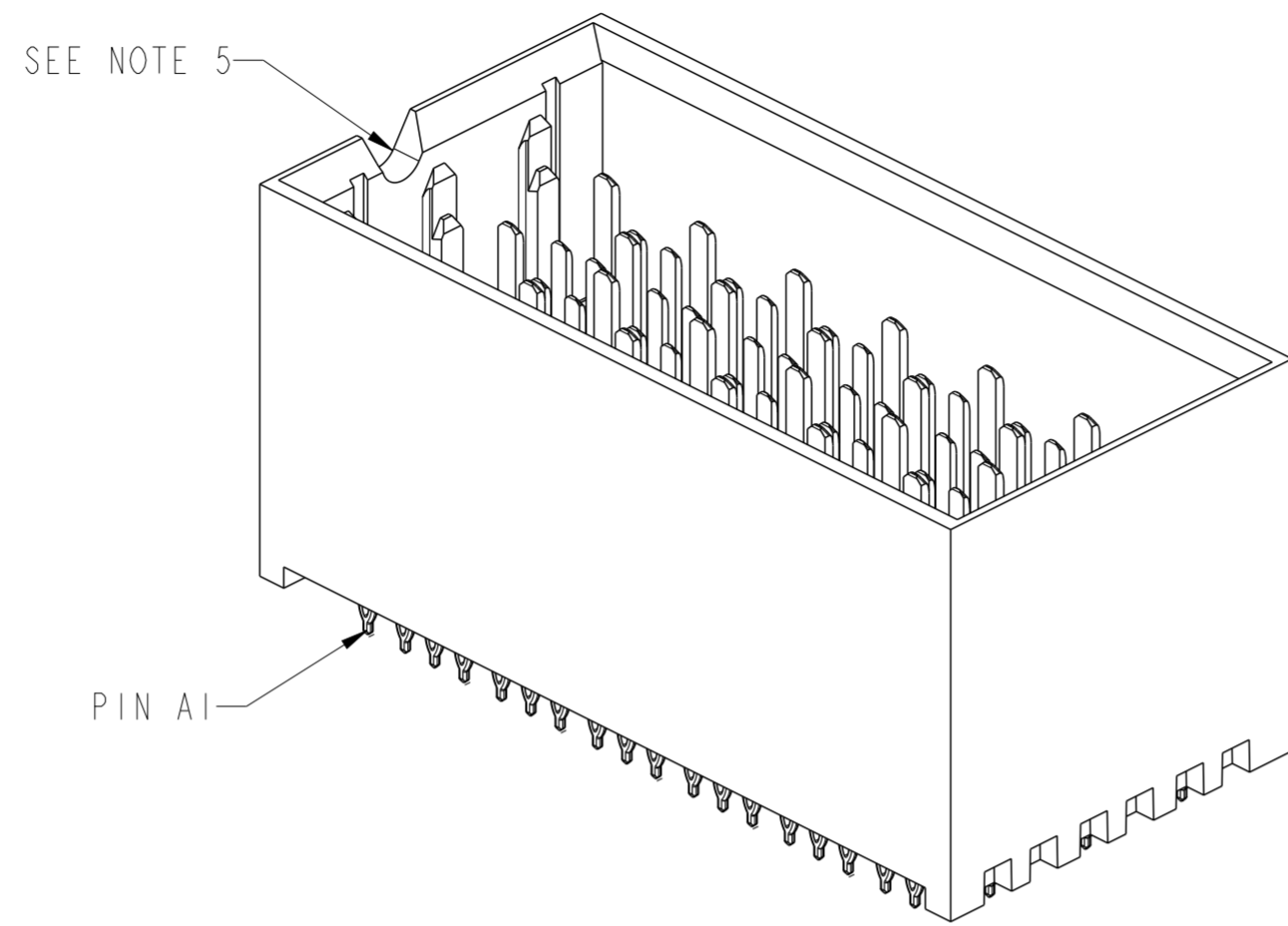
2.36

25.9

spec ref	-	dr	Mary Glass	2012/02/09	projection	MM	size	A2	scale	5:1
tolerance std	ASME Y14.5	eng	Sandar Soe	2016/03/08			ecn no	ELX-S-17624-1	rel level	Released
TOLERANCES UNLESS OTHERWISE SPECIFIED				product family						
surface	linear	0.X	±0.3		VERTICAL HEADER ASSEMBLY XCEDE HD 6 PAIR, 6 COLUMN	cat. no.	Product - Customer Drw	sheet 4 of 8	rev C	
		0.XX	±0.10							
		0.XXX	±0.05							
ASME Y14.5	angular	0°	±2°	www.fci.com						



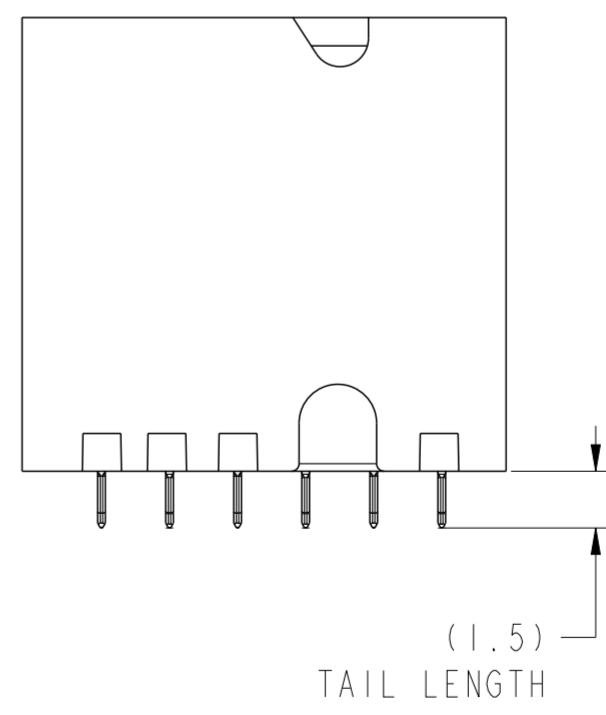
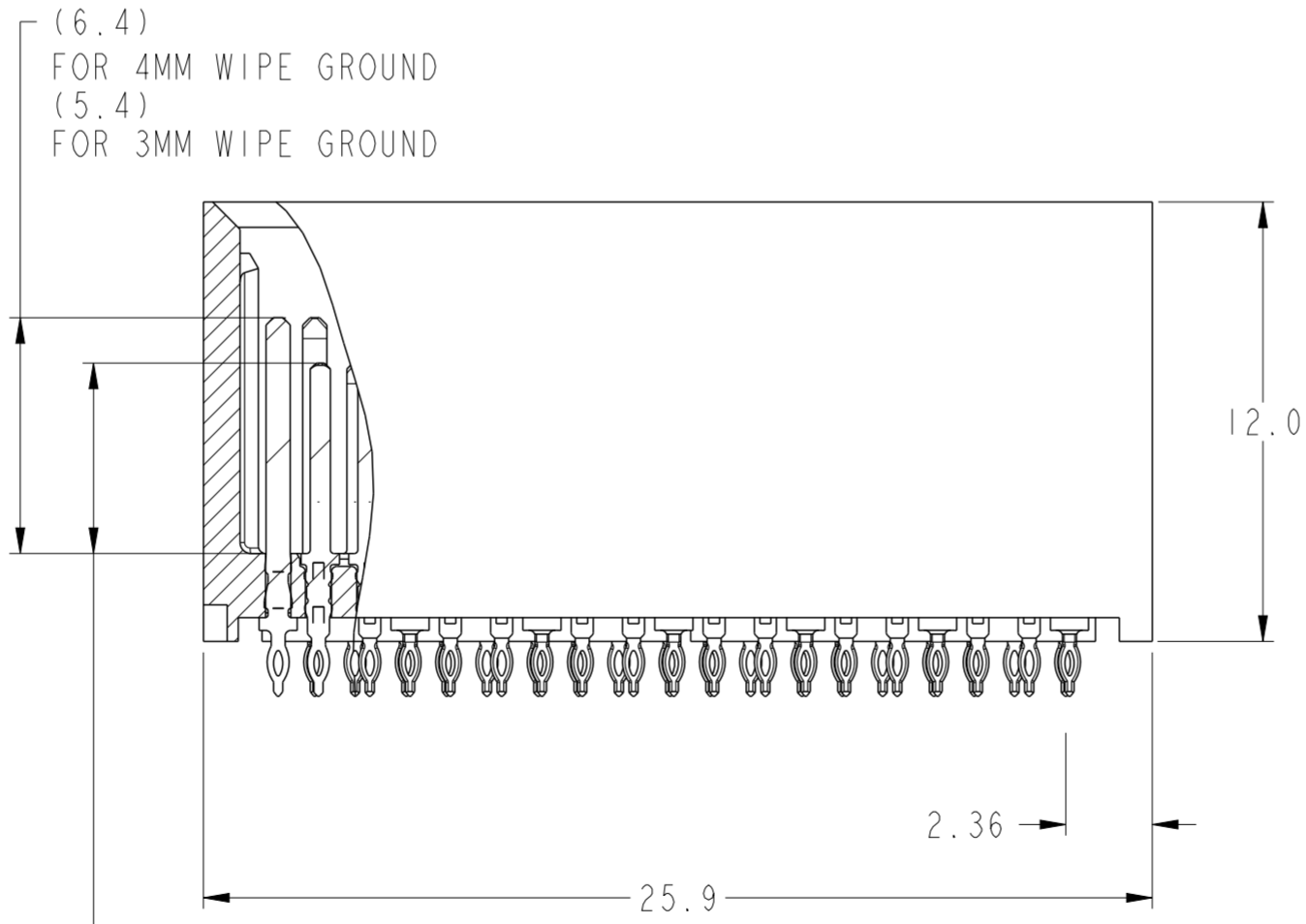
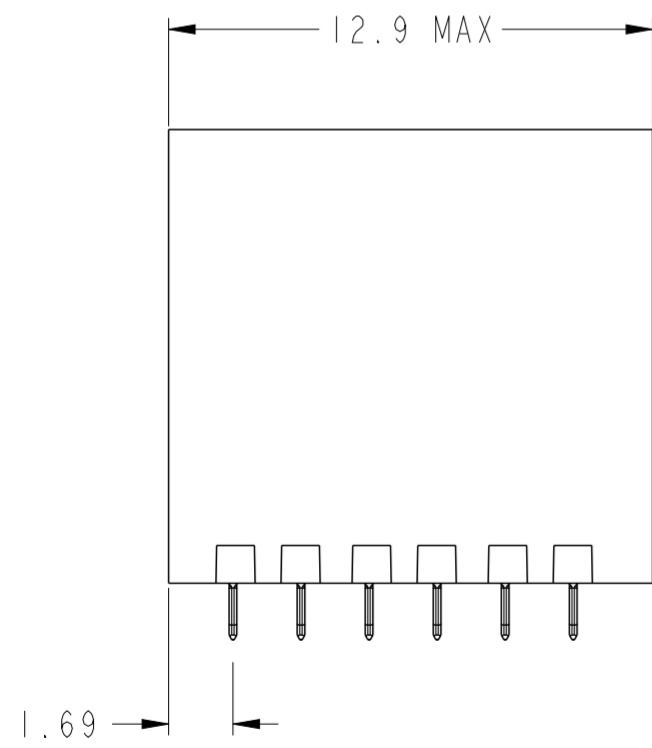
FOUR WALL MODULE



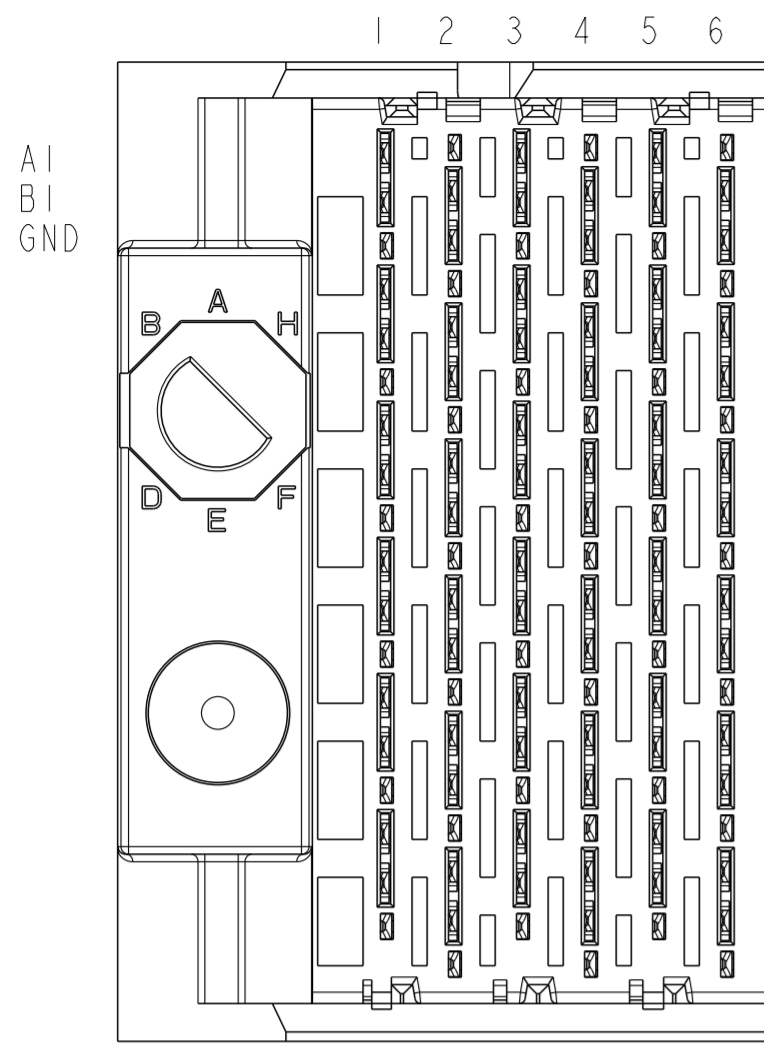
SEE DETAIL A ON SHEET 8 FOR PINOUT DETAILS

BP HOLE PATTERN COMPONENT SIDE

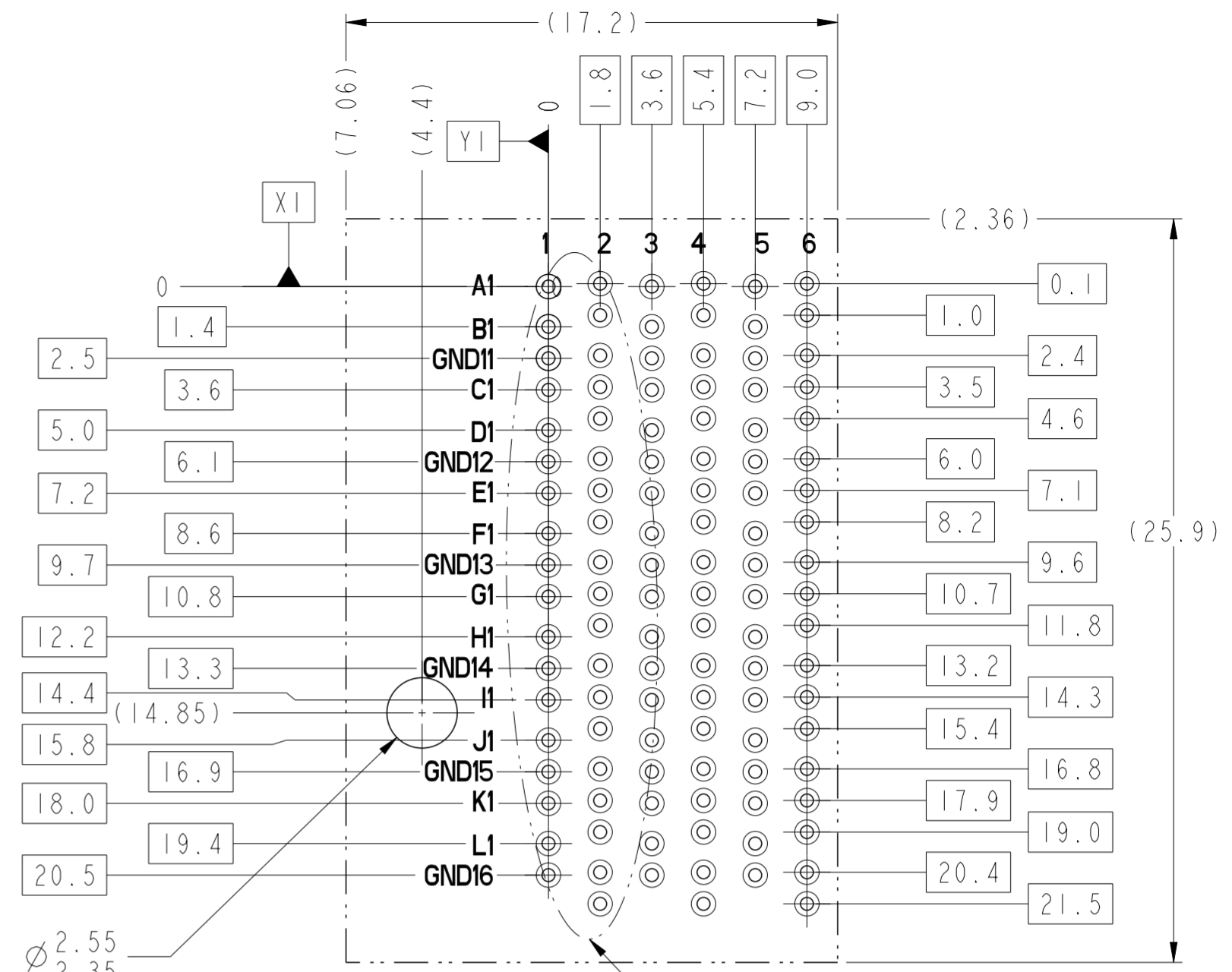
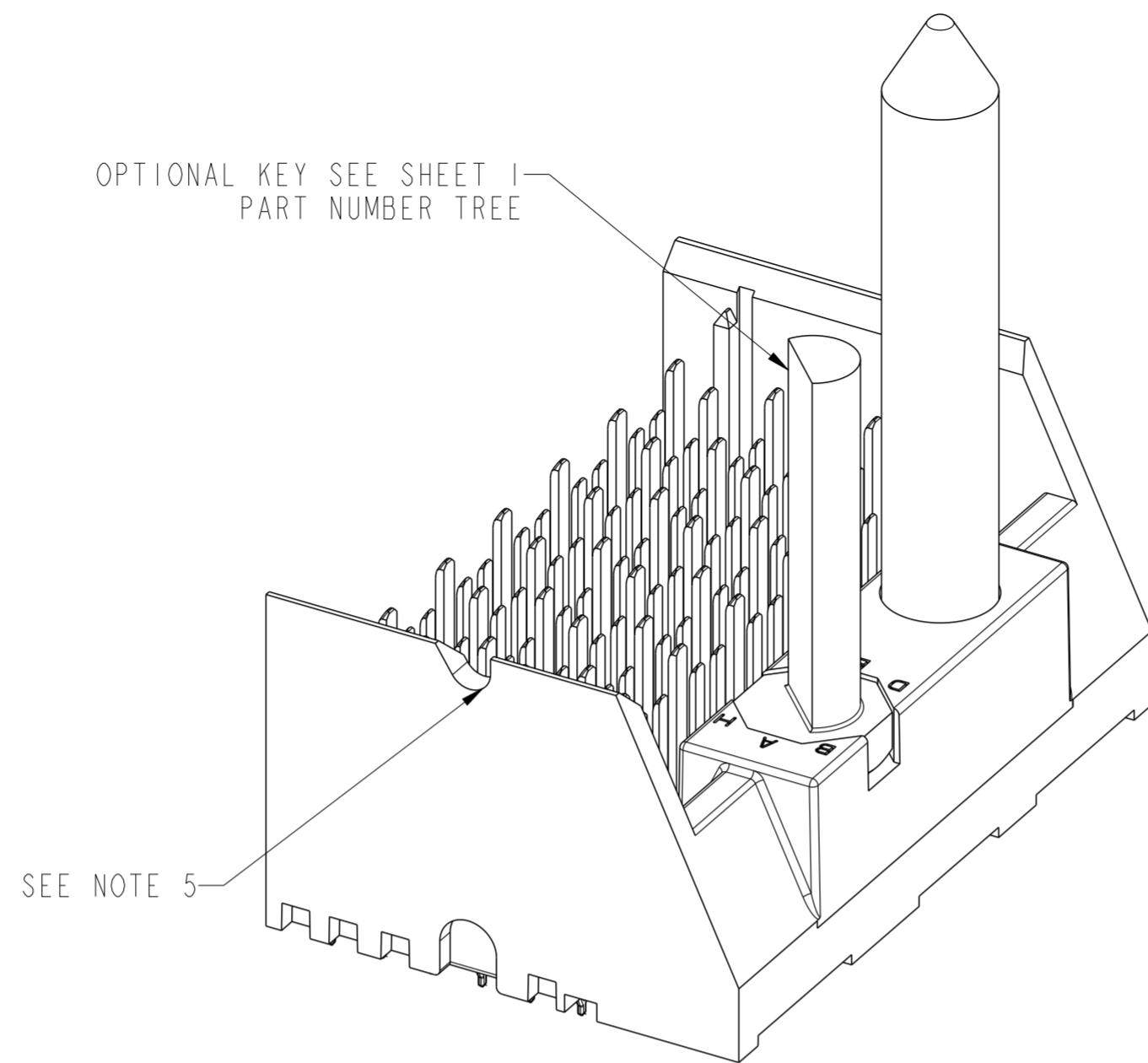
FOUR WALL MODULE BACKPLANE FOOTPRINT



spec ref	-	dr	Mary Glass	2012/02/09	projection	MM	size	A2	scale	5:1
tolerance std	ASME Y14.5	eng	Sandar Soe	2016/03/08			ecn no	ELX-S-17624-1		
TOLERANCES UNLESS OTHERWISE SPECIFIED		chr	-	rel level			Released			
surface	linear	0.X	±0.3	0.XX	±0.10	0.XXX	±0.05	product family	XCEDE HD	
ASME Y14.5	angular	0°	±2°			cat. no.	Product - Customer Drw		sheet 5 of 8	



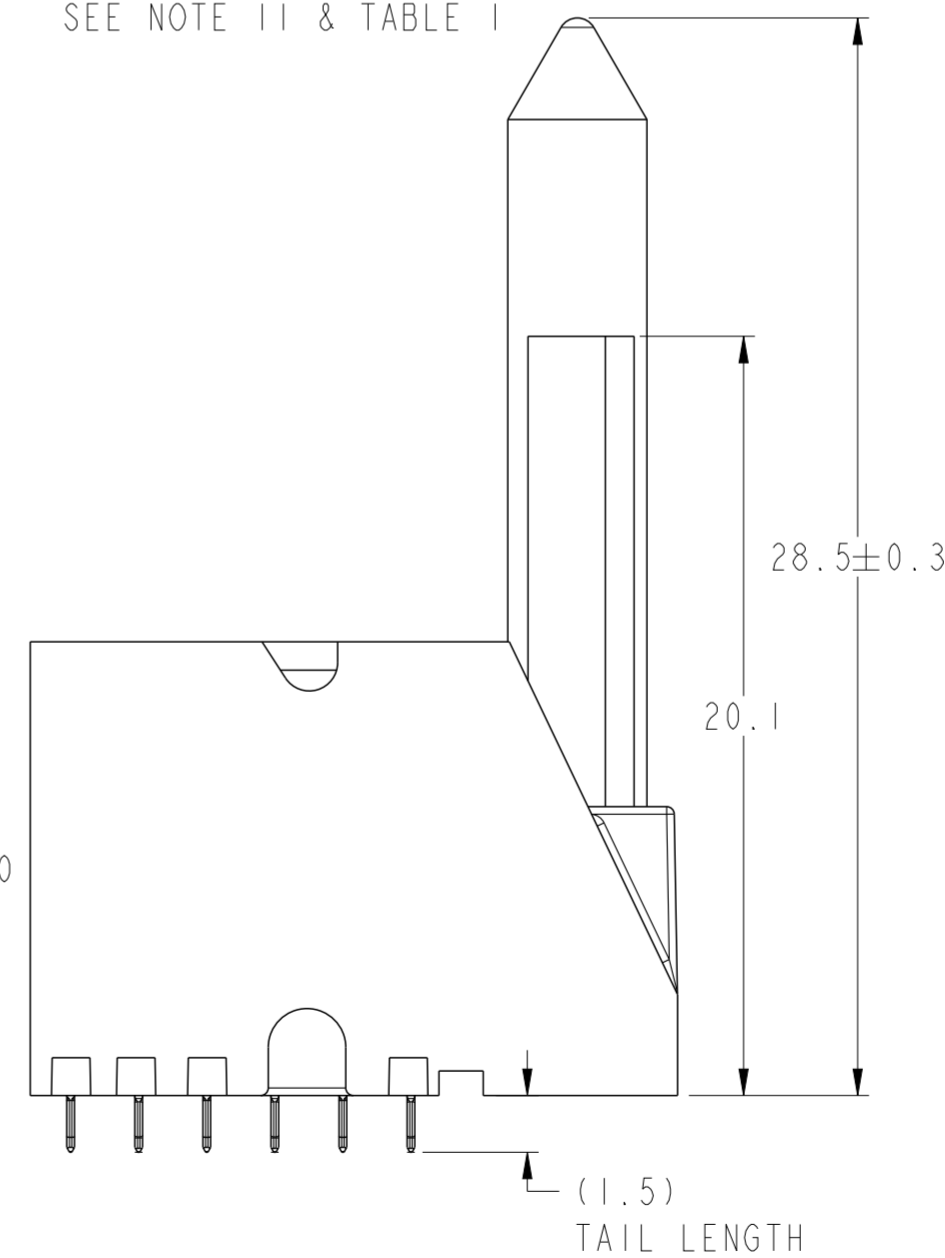
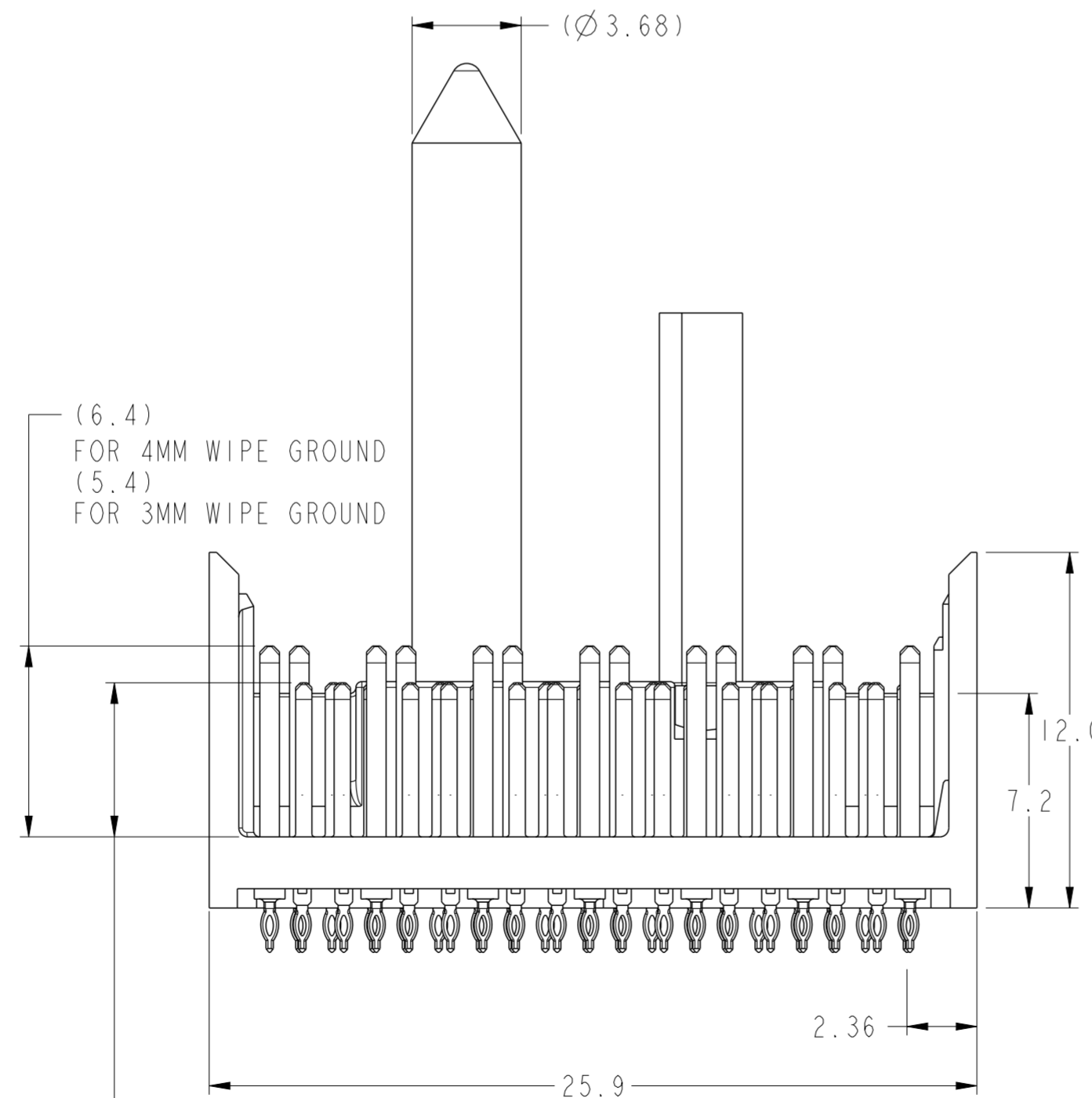
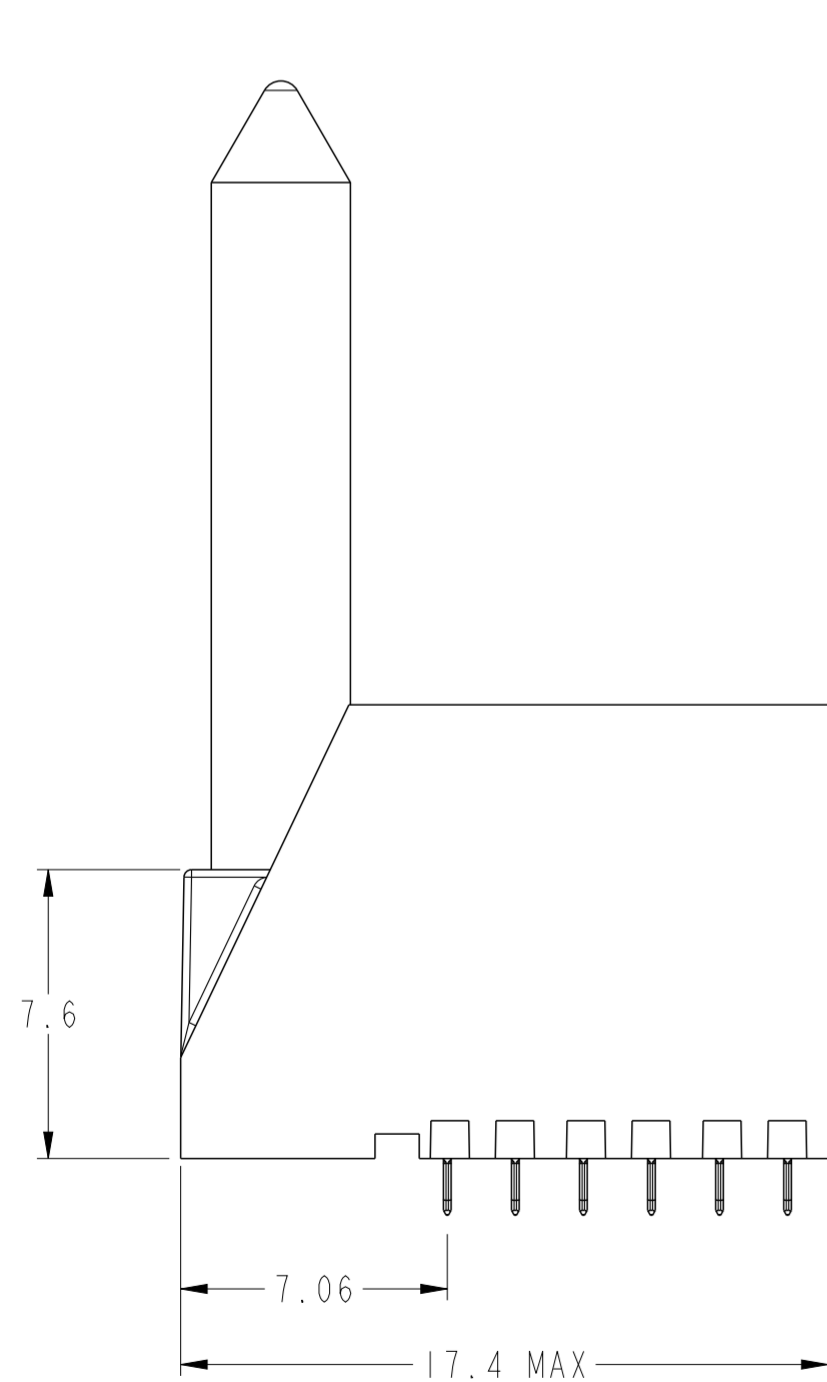
LEFT POLARIZING / GUIDE MODULE



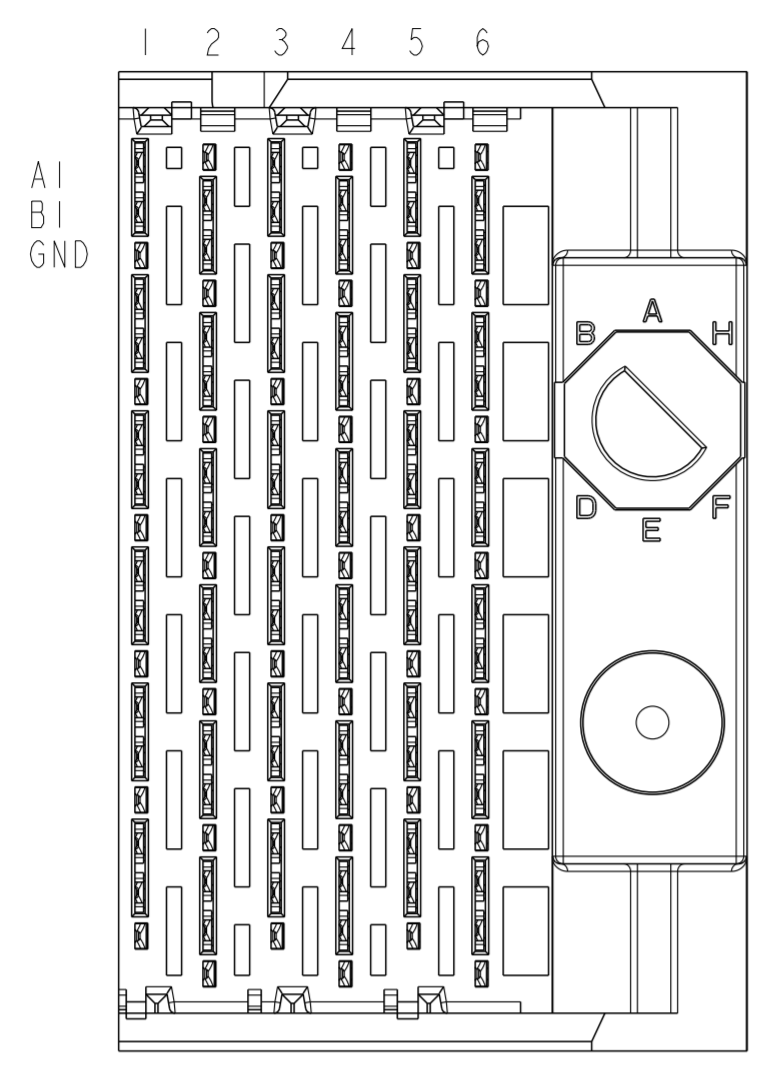
SEE NOTE 11 & TABLE 1

SEE DETAIL A ON SHEET 8 FOR PINOUT DETAILS

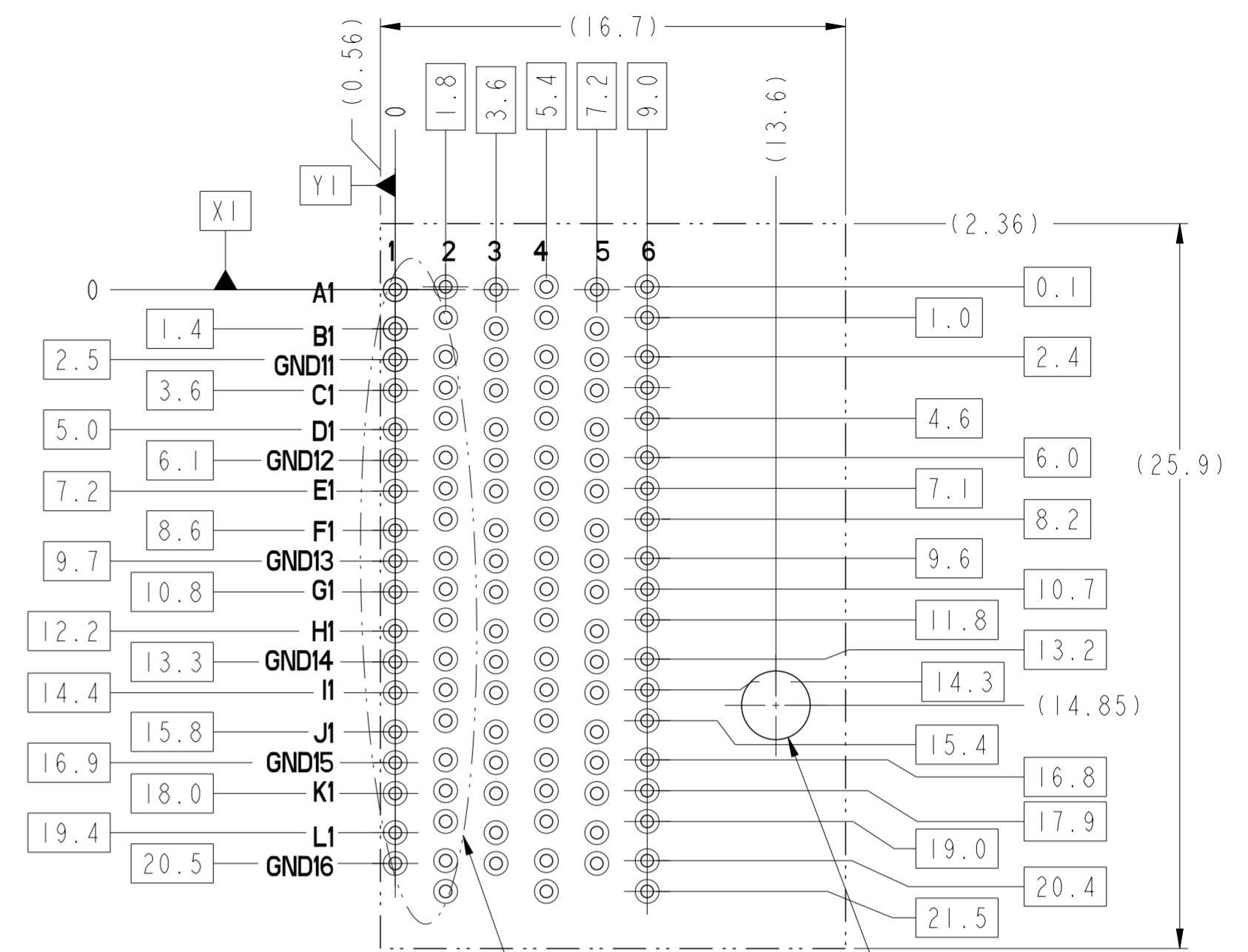
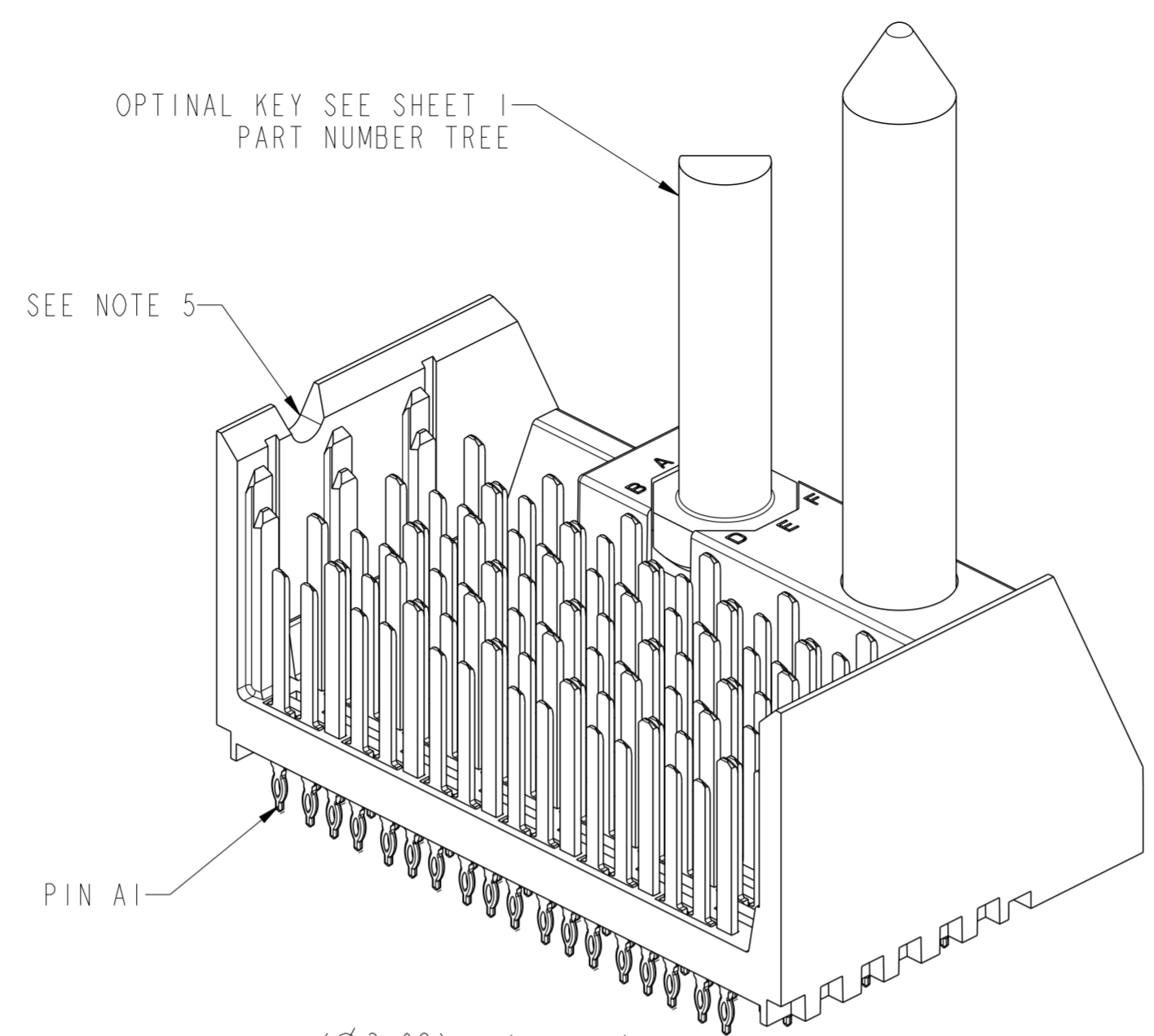
BP HOLE PATTERN COMPONENT SIDE
LEFT POLARIZING GUIDE MODULE
BACKPLANE FOOTPRINT



spec ref	-	dr	Mary Glass	2012/02/09	projection	MM	size	A2	scale	5:1
tolerance std	ASME Y14.5	eng	Sandar Soe	2016/03/08	chr	-	ecn no	ELX-S-17624-1	rel level	Released
surface	linear	app'r	Chen-Hong Tan	2016/03/17	product family	XCEDE HD	rel level	Released	cat. no.	10119130
ASME Y14.5	angular	0°	±2°	0.X	±0.3	0.XX	±0.10	0.XXX	±0.05	www.fci.com
TOLERANCES UNLESS OTHERWISE SPECIFIED		Amphenol FCI		VERTICAL HEADER ASSEMBLY		XCEDE HD 6 PAIR, 6 COLUMN		Product - Customer Drw		sheet 6 of 8



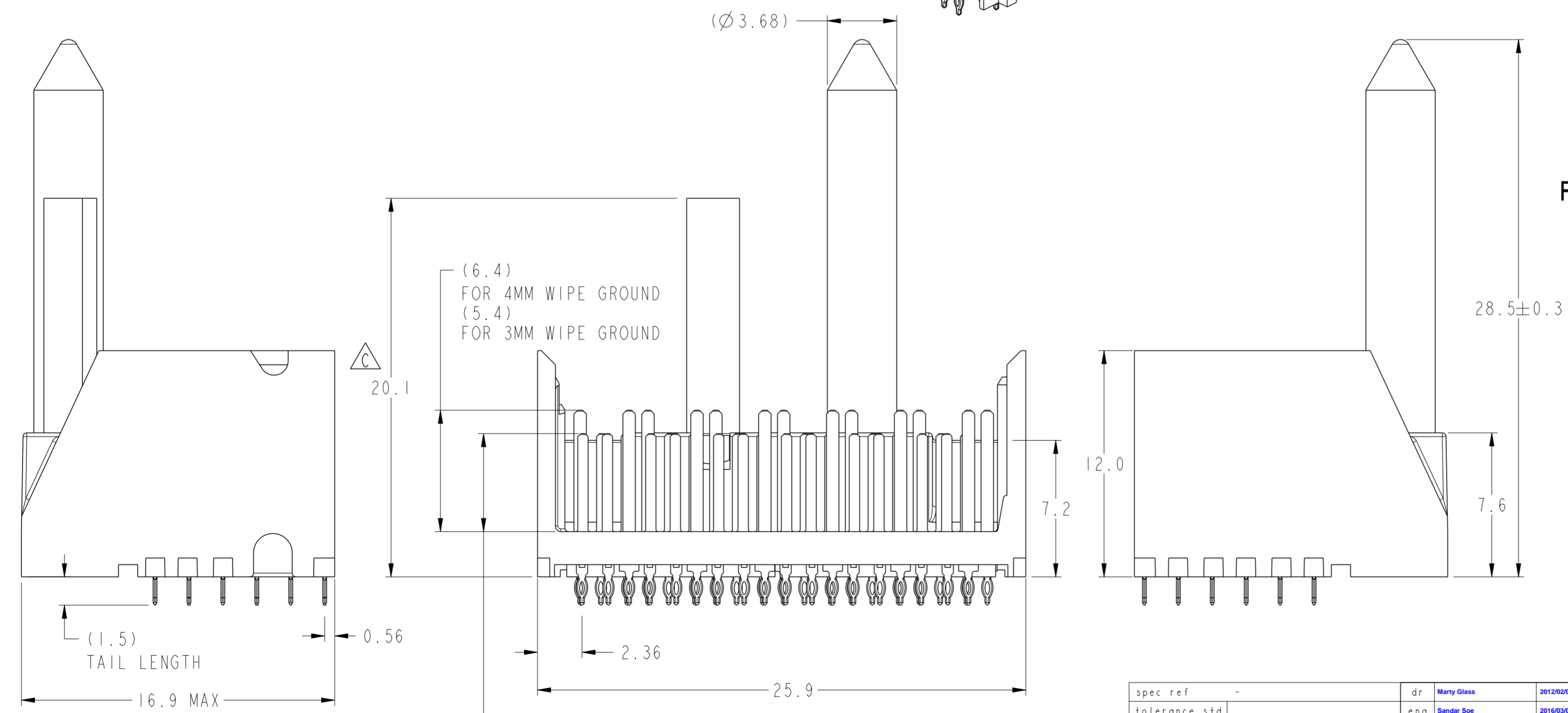
RIGHT POLARIZING GUIDE MODULE



SEE DETAIL A ON SHEET 8 FOR PINOUT DETAILS

SEE NOTE 11 & TABLE 1

BP HOLE PATTERN COMPONENT SIDE
RIGHT POLARIZING GUIDE MODULE
BACKPLANE FOOTPRINT



(5.2) FOR 3MM WIPE SIGNAL $\triangle C$
(4.2) FOR 2MM WIPE SIGNAL $\triangle C$

spec ref	-	dr	Mary Glass	2012/02/09	projection	MM	size	A2	scale	5:1
tolerance std	ASME Y14.5	eng	Sandar Soe	2016/03/08	chr	-	ecn no	ELX-S-17624-1	rel level	Released
surface	linear	appr	Chen-Hong Tan	2016/03/17	product family	XCEDE HD	rel level	Released	cat. no.	10119130
ASME Y14.5	angular	0°	±2°	0.X	±0.3	0.XX	±0.10	0.XXX	±0.05	www.fci.com

