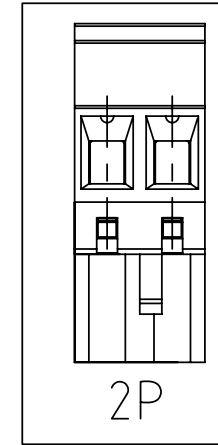
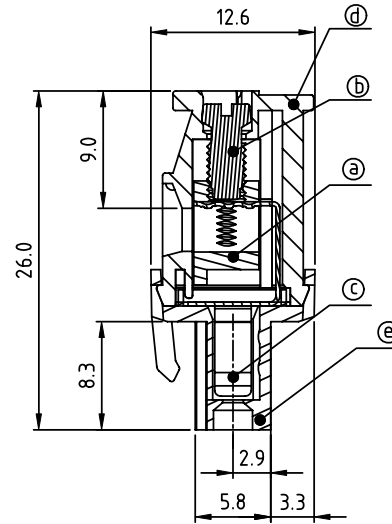
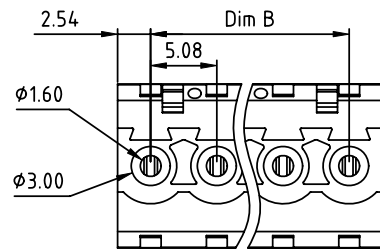
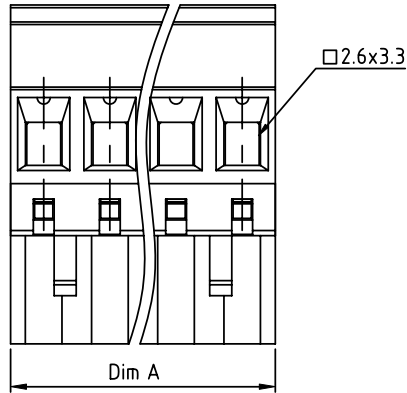
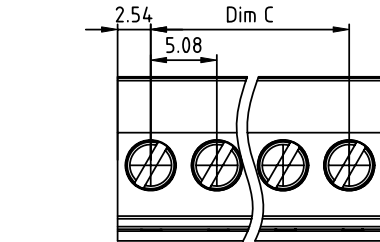


PRODUCT NUMBER	PITCH
TSxx51xA00J0G	5.08 mm



Material

- Item (a) Clamp: Brass(CuZn) Ni plated
- Item (d) Terminal screw: Steel Zinc plating "-" slot type
- Item (c) Female contact: PhBz Tin plated
- Item (b) Top body: Thermoplastic (UL94V-0)
- Item (e) Bottom body: Thermoplastic (UL94V-0)

Electrical cULus/VDE/TUV

- Voltage rating: 300VAC/300VAC/300VAC
- Current rating: 15A/17A/15A
- Wire range: 2.5mm²/0.34-2.5mm²
- Solid wire(AWG): 12-24
- Stranded wire(AWG): 12-24
- Torque: 3.5Lb-In./0.5Nm/0.4Nm
- Screw: M3
- Wire strip length: 6-7mm
- Withstanding Voltage: 1.6KV/2.5KV/2.5KV
- Operating temperature: -40°C to +115°C
- Safety approval: cULus VDE TUV

N = Number of poles
 Dim A=Nx5.08
 Dim B=(N-1)x5.08
 Dim C=(N-1)x5.08

poles	Tolerance
2-6p	±0.15
7-12p	±0.25
13-18p	±0.30
19-24p	±0.40

PART NO.: TS xx 51 x A 00J0 G

Solid block	0	Color	Black (RAL9005)	RoHS compliant
No. of poles	2		Red (RAL3001/D)	(lead<4%)
02 2 poles	3		Orange(RAL2011/P)	In copper Alloy
03 3 poles	4		Yellow(RAL1018/A)	
...	5		Green(RAL6018/T)	
24 24 poles	6		Blue (RAL5015/A)	
	8		Grey(RAL7035/D)	
	9		White(RAL1102)	
	C		Green(RAL6018/U)	

mat'l. code		surface ASME Y14.5	tolerance ASME Y14.5	projection	product family TERMINAL BLOCK
ltr	ecn no	dr	date	 MM	title TERMINAL BLOCK PLUGGABLE PLUG,HOOK ON ENTRY SIDE,WITHOUT FLANGE
		angles	$X \pm 0.5$ $X.X \pm 0.3$ $X^* \pm 1^*$	scale	dwg no TSxx51xA00J0G
		dr	EVIN ZHONG 041914		sheet 1 of 1 size A4
		enr	EVIN ZHONG 041914		type CUSTOMER Drawing
		chr	HANKE FENG 041914		
		appd	SHI JUN 041914		
sheet index	revision sheet	A	1		