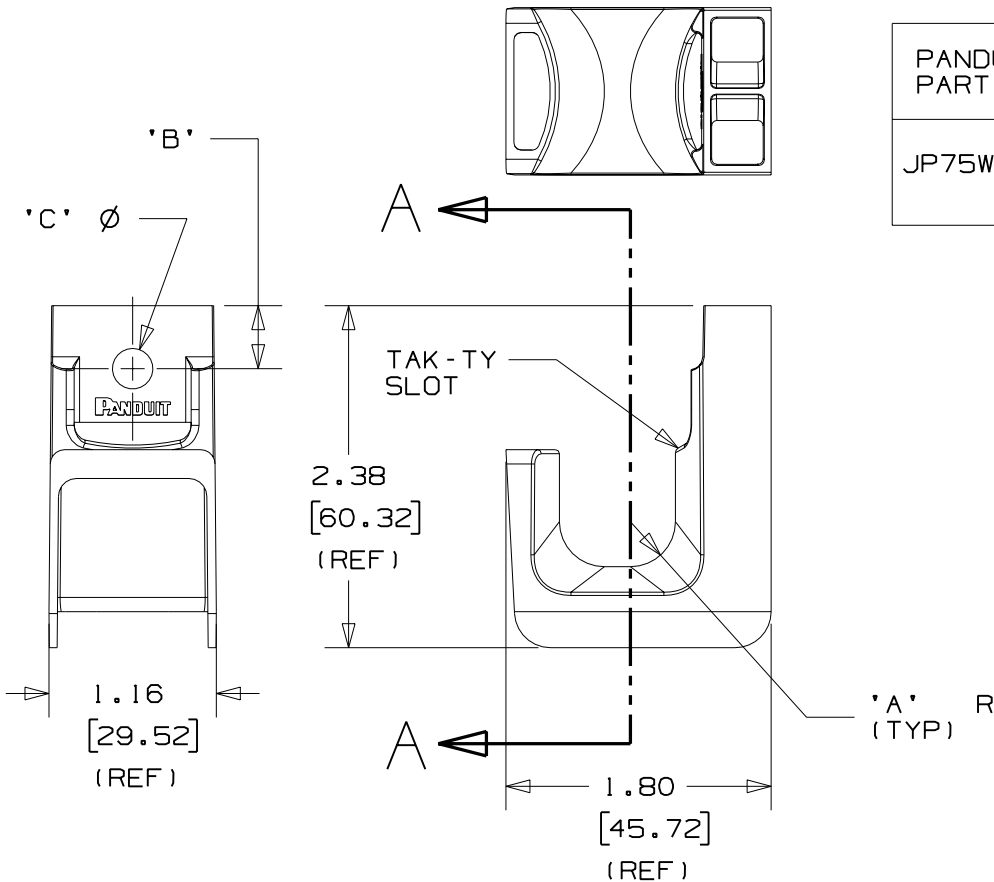
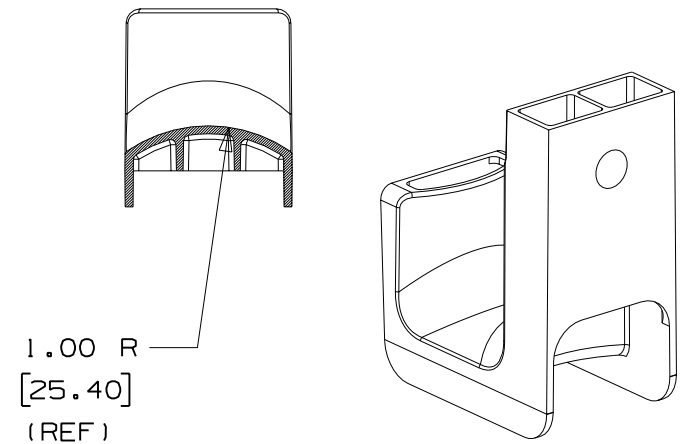


THIS COPY IS PROVIDED ON A RESTRICTED BASIS AND IS NOT TO BE USED IN ANY WAY DETRIMENTAL TO THE INTERESTS OF PANDUIT CORP.



PANDUIT PART NO.	DIMENSIONS			WEIGHT lbs 10 (g) pcs
	'A'	'B'	'C'	
JP75W- ---	0.31 (7.87) (REF)	0.44 (11.18)	0.270 (6.86)	0.26 (117.9)

SECTION A-A  
(BEND RADIUS CONTROL)



NOTES:

- SEE CURRENT PRICE SHEET FOR PART NUMBER SUFFIX DESIGNATION FOR PACKAGE SIZE AND PRODUCT COLOR.
- MATERIAL: NYLON 6/6
- PRODUCT IS DESIGNED TO SUPPORT A MAXIMUM 3/4" (19.05) DIAMETER BUNDLE. RECOMMENDED MAXIMUM STATIC LOAD: 15 lbs.
- PRODUCT INCORPORATES FEATURES ALLOWING USER TO RETAIN CABLE BUNDLES IN J-PRO J-HOOK WITH TAK-TY CABLE TIES UP TO 3/4" WIDE.
- PRODUCT MARKINGS:  
 cULus logo and statement:  
 "SUITABLE FOR USE IN AIR HANDLING SPACES IN ACCORDANCE WITH SECTION 300-22 (C) & (D) OF THE NATIONAL ELECTRIC CODE."  
 ULC logo and statement:  
 "IN ACCORDANCE WITH CAN/ULC S-102.2 IN SINGLE UNITS OR PAIRS, 4 ft (1220mm) MIN. SPACING, FSR=0, SDC=20."

DIMENSIONS IN BRACKETS ARE METRIC [ mm ]			
CAD FILENAME/LAYERS		G03043BC_PB_JP75W_00	
<b>PANDUIT</b>		CORP. TINLEY PARK, ILLINOIS	
J-PRO J-HOOK WALL MOUNT (JP75W- ---)			
UNLESS OTHERWISE SPECIFIED, DIMENSIONAL TOLERANCES ARE: (.X) ±0.05 (1.31) (.XXX) ±0.010 (0.25) (.XX) ±0.02 (0.5) ANGLES ± 5°		UNLESS OTHERWISE SPECIFIED, ALL DIMENSIONS ARE GIVEN IN INCHES, THIRD ANGLE PROJECTION.	
DRAWN BY	JAD	MAT'L:	SCALE NONE
DATE	1/5/06	SEE NOTE 2	DRAWING NO.
CHK'D			GB3043BC
			DWG SIZE A

REV	DATE	BY	CHK	DESCRIPTION	ECN	R	CUST	SUP
R	1/5/06	JAD		INITIAL RELEASE	GB3043BC	R		