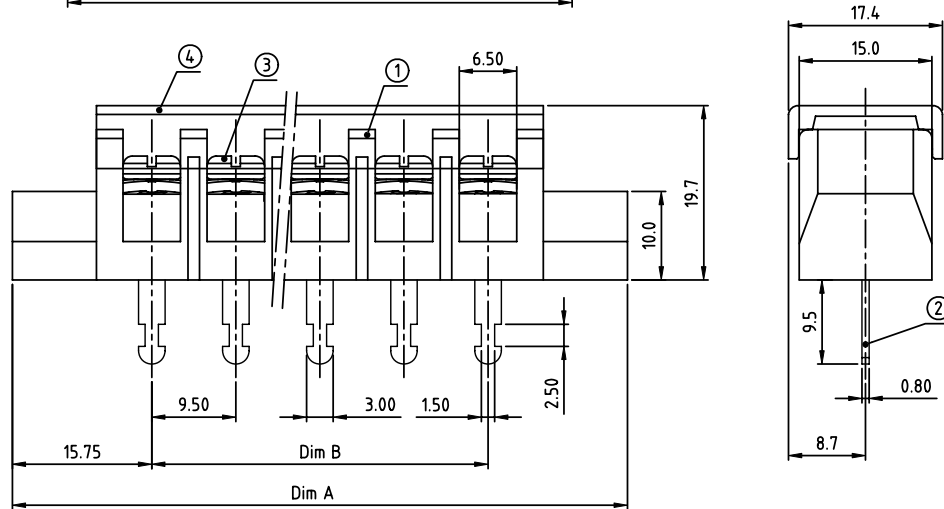
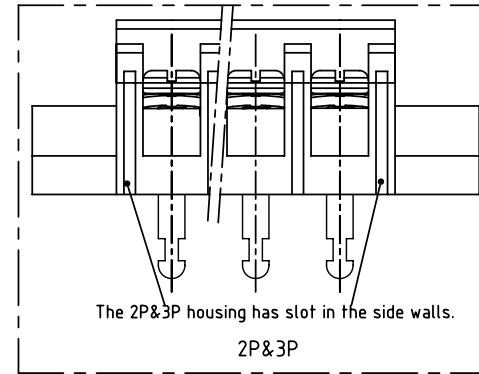
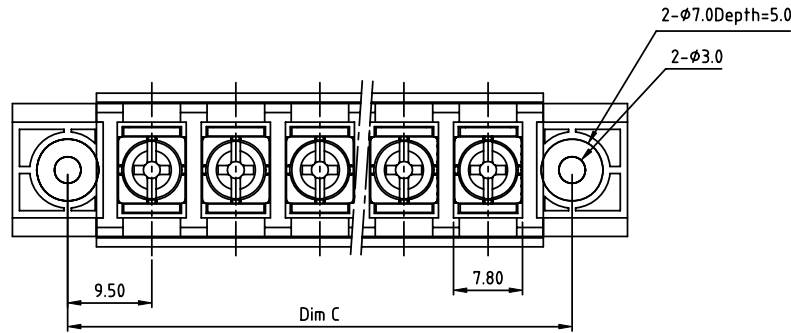


PRODUCT NUMBER	PITCH
YK506xx1x0JOG	9.50 mm



**MATERIALS & ELECTRICAL**

**RATED VOLTAGE & CURRENT:** 300 V, 20 A

**WITHSTAND VOLTAGE:** AC 2000 V/Min

**INSULATION RESISTANCE:** 1000 MΩ OR MORE AT DC 500 V

**OPERATING TEMPERATURE RANG:** -40 °C ~ +115 °C

**SCREW TORQUE VALUE:** 12 Lb-in.

**WIRE RANGE:** 22 - 12AWG

**1) HOUSING:** THERMOPLASTIC, UL 94 V-0 BLACK

**2) TERMINAL:** BRASS, 0.8t

**3) TERMINAL SCREWS:** STEEL, M3.5

**4) COVER MATERIAL:** PC

**APPROVAL:**

**DIMENSION**

Dim A	(N+2)×9.5+3.0
Dim B	(N-1)×9.5
Dim C	(N+1)×9.5

N=Number of poles

Poles	Tolerance
2p-4p	±0.20
5p-10p	±0.30
11p-24p	±0.40
25p-30p	±0.60

**PART NO.: YK 506xx 1 x 0 JOG**

No. of poles	Terminal	Screw
02 2 poles	G/F	G/F
03 3 poles	G/F	Zinc
...	...	...
30 30 poles	Tin	Zinc

RoHS compliant  
(lead<4%)  
In copper Alloy

mat'l. code	surface ASME Y14.5	tolerance ASME Y14.5	projection 	product family TERMINAL BLOCK
ltr	ecn no	dr	date	title TERMINAL BLOCK
				BARRIER TYPE, WITH FLANGE & COVER
				scale
				MM
				scale
				sheet 1 of 1 size
				A4
				type CUSTOMER Drawing
sheet index	revision sheet	A	1	