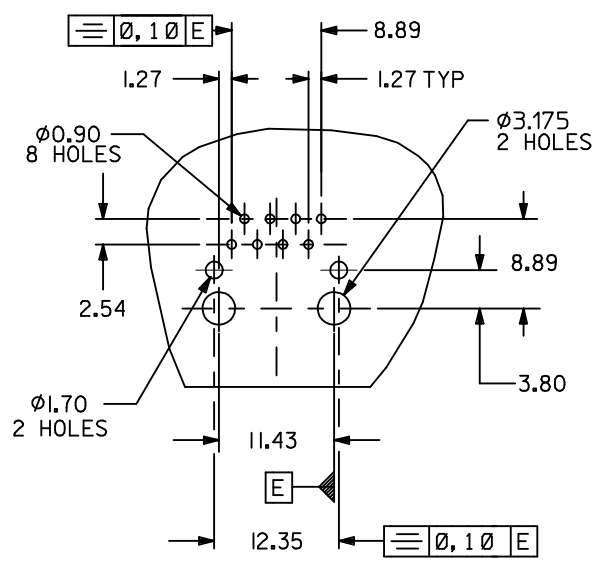
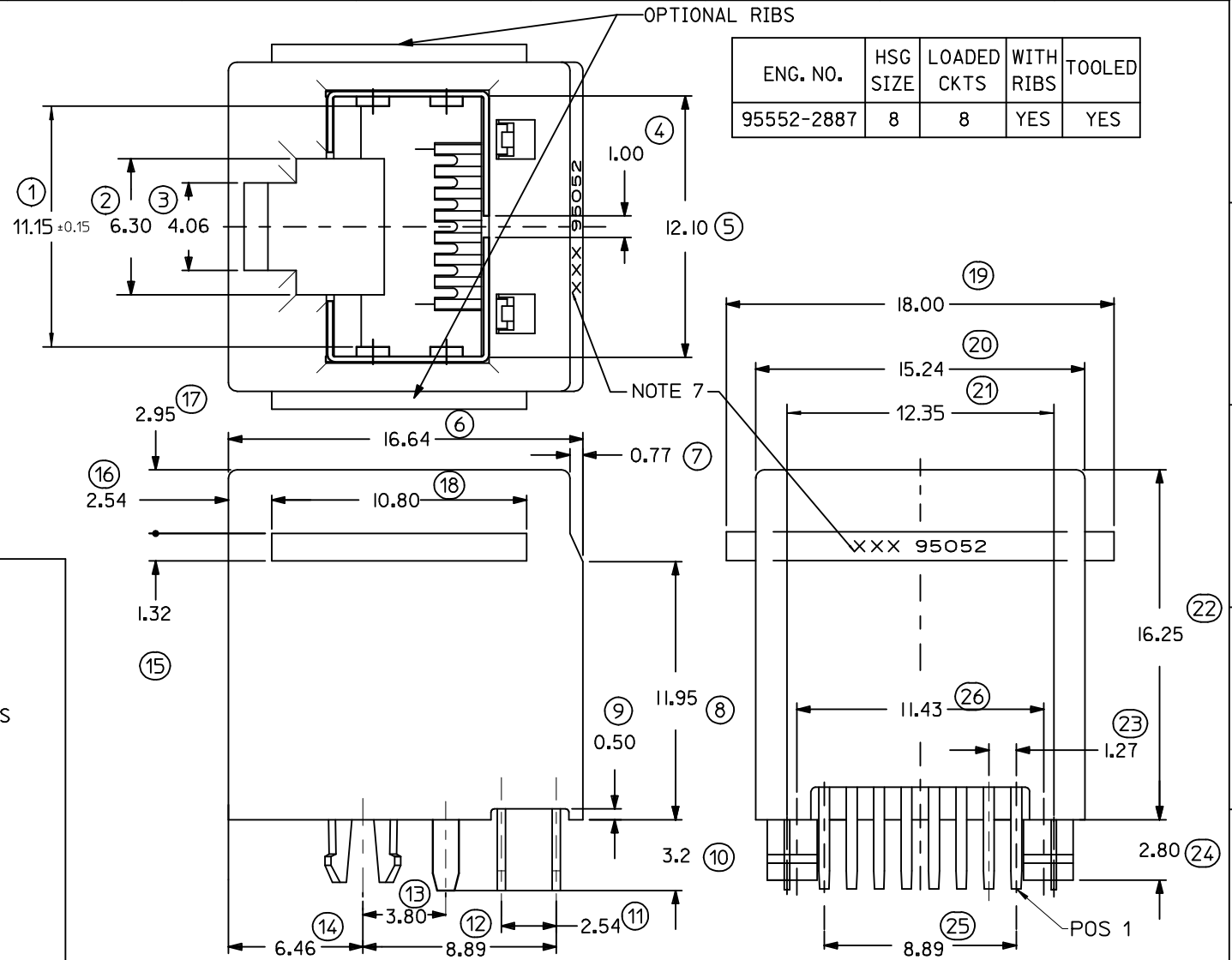


NOTES:

- 1- MATERIAL: HOUSING: LCP GLASS FILLED UL94-V0
COLOUR: BLACK
TERMINAL: COPPER ALLOY,
BASE FINISH: NICKEL
CONTACT SURFACE FINISH:
GOLD,
OR
GOLD FLASH OVER PALLADIUM NICKEL.
EXCEEDS PRODUCT REQUIREMENTS BASED ON PS-95552-001
SHIELD: COPPER ALLOY PLATED WITH TIN .
- 2- JACK FOR MATING WITH IEC 60603-7 AND TIA-1096-A PLUG
MOLEX 95043 SERIES
- 3- P.C.BOARD THICKNESS: 1.57
- 4- PRODUCT SPECIFICATION: PS-95552-001
- 5- APPLICATION SPECIFICATION: AS-85513-001
- 6- PACKAGING SPECIFICATION: PK-95022
- 7- MANUFACTURING I.D. CAN BE EITHER MG, MXF OR MXI.
- 8- LAST INSPECTION NUMBER 26

ENG. NO.	HSG SIZE	LOADED CKTS	WITH RIBS	TOOLED
95552-2887	8	8	YES	YES



P.C.B. MOUNTING PATTERNS
(SCALE 2 : 1)
VIEW FROM COMPONENT SIDE
ALL DIMENSIONS REFERENCE ONLY

CHANGED PRODUCT SPEC EC NO: IPG2013-0660 DRAWN: DBYRNES 2012/11/02 CHKD: SMCREEVY 2012/11/07 APPR: STORIFFIN 2012/11/09	QUALITY SYMBOLS	GENERAL TOLERANCES (UNLESS SPECIFIED)		DIMENSION STYLE		SCALE	DESIGN UNITS	THIRD ANGLE PROJECTION	
	▽=0 ∇=0	mm	INCH	MM/IN		1:1	METRIC		
		4 PLACES ± --- ± ---	3 PLACES ± --- ± 0.10	DRAWN BY	DATE	TITLE			
		2 PLACES ± 0.25 ± 0.14	1 PLACE ± 0.35 ± ---	CHECKED BY	DATE	TOP ENTRY SHIELDED JACK W.E. TYPE			
	ANGULAR ± 2 °	DRAFT WHERE APPLICABLE MUST REMAIN WITHIN DIMENSIONS		APPROVED BY	DATE	MOLEX INCORPORATED			
				MATERIAL NO.	DATE	DOCUMENT NO.		SHEET NO.	
				SEE CHART	2007/02/28	SD-95552-001		1 OF 1	
				THIS DRAWING CONTAINS INFORMATION THAT IS PROPRIETARY TO MOLEX INCORPORATED AND SHOULD NOT BE USED WITHOUT WRITTEN PERMISSION					