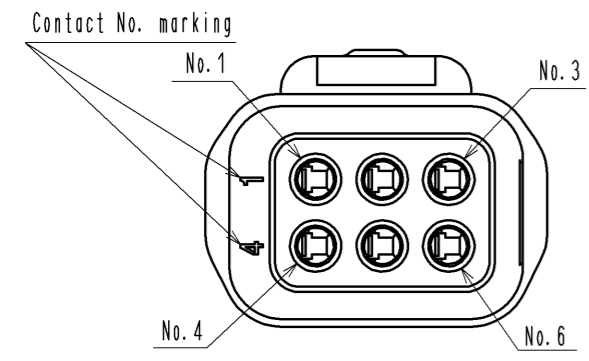
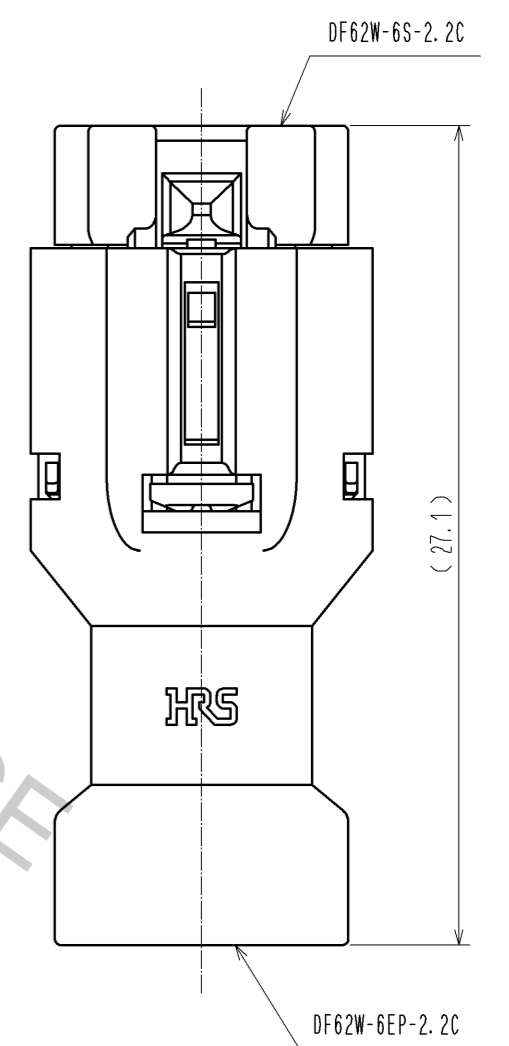
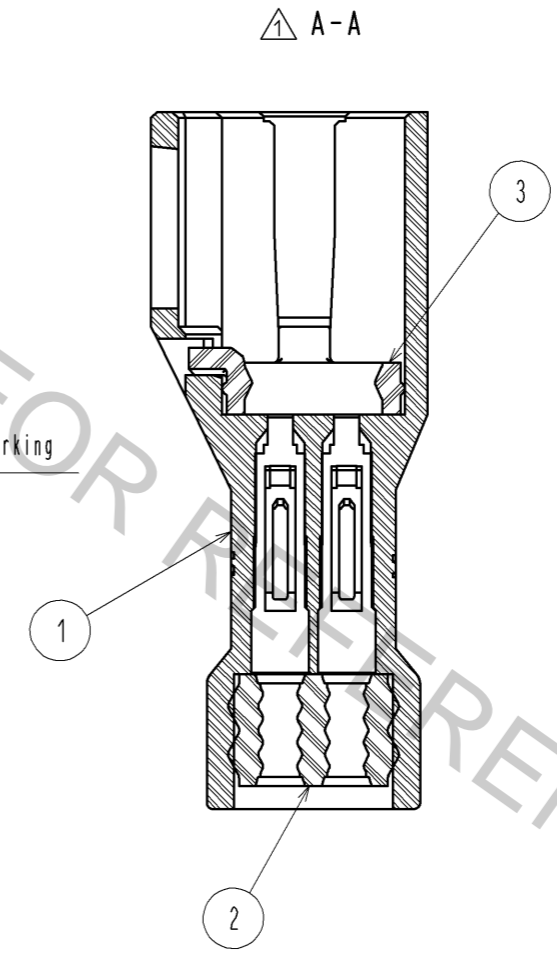
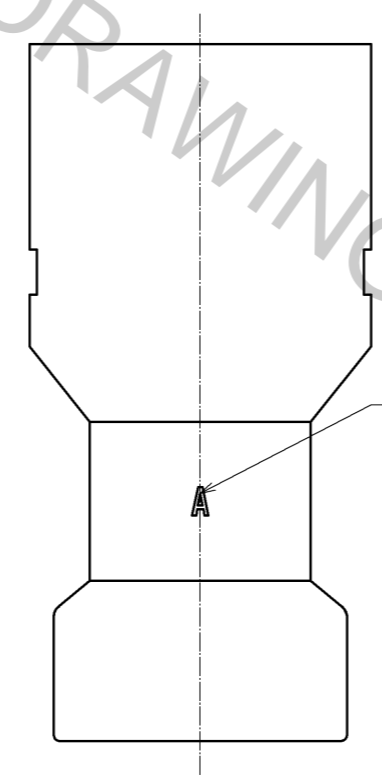
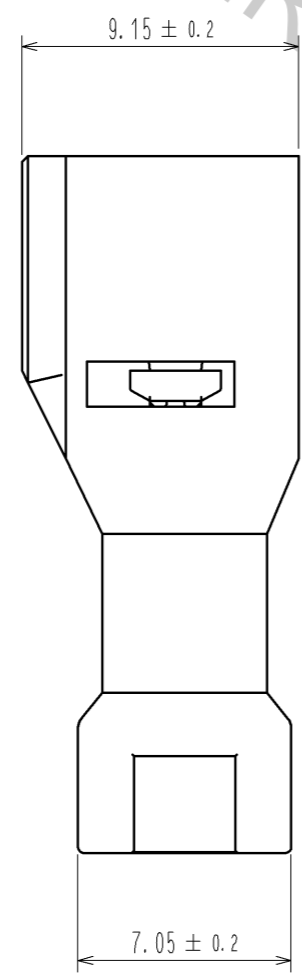
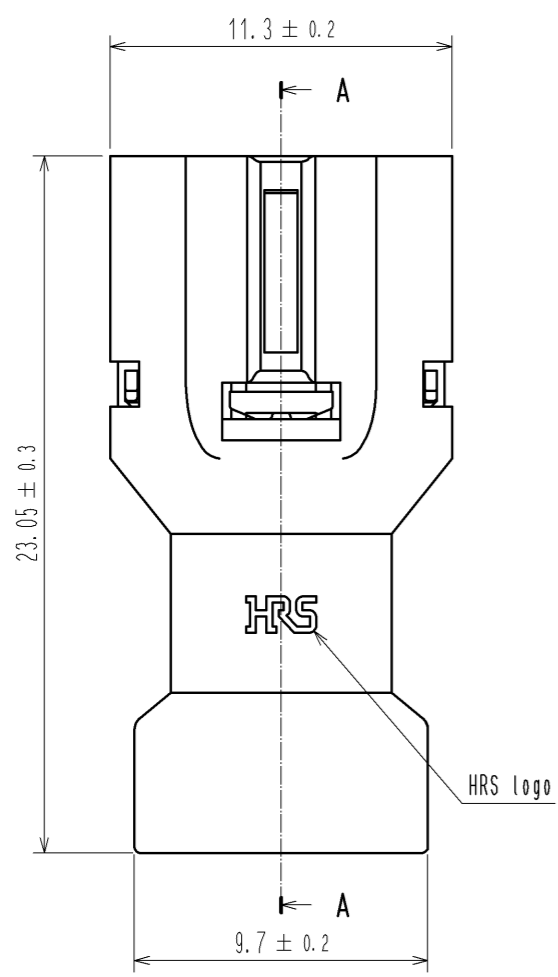
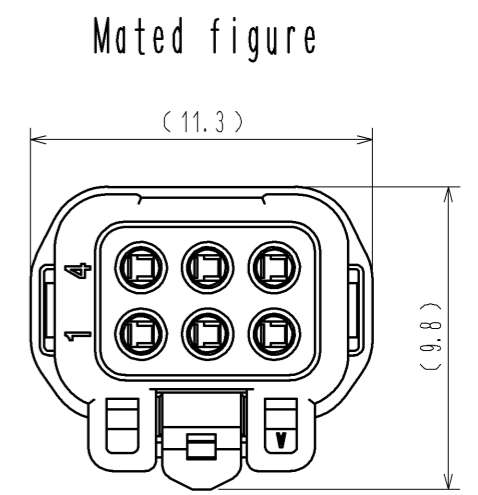
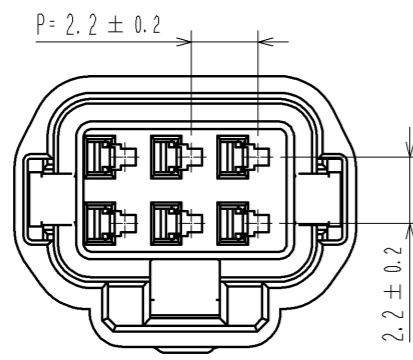


Apr.1.2017 Copyright 2017 HIROSE ELECTRIC CO., LTD. All Rights Reserved.



- Notes.
- ① 1. 100 pcs. / pack
 2. The dimensions in parenthesis are reference dimensions.
 3. Always refer to the manuals below for operation of this product.
For cable assembly / Cable assembly procedure ETAD-H0760
For mating/unmating / Operation manual ETAD-H0761

1	PBT	UL94V-0 (Black)	3	Silicone rubber	Bengala
2			2	Silicone rubber	Bengala
NO.	MATERIAL	FINISH . REMARKS	NO.	MATERIAL	FINISH . REMARKS
UNITS	mm	SCALE	4 : 1	COUNT	2
DESCRIPTION OF REVISIONS			DESIGNED	CHECKED	DATE
DIS-H-008988			KT. ISHII	HK. UMEHARA	14. 08. 08
APPROVED : KI. AKIYAMA 14. 05. 15			DRAWING NO. EDC3-353728-00		
CHECKED : HK. UMEHARA 14. 05. 15			PART NO. DF62W-6EP-2. 2C		
DESIGNED : KT. ISHII 14. 05. 14			CODE NO. CL544-1009-6-00		
DRAWN : KT. ISHII 14. 05. 14			①/1		