

SPECIFICATIONS

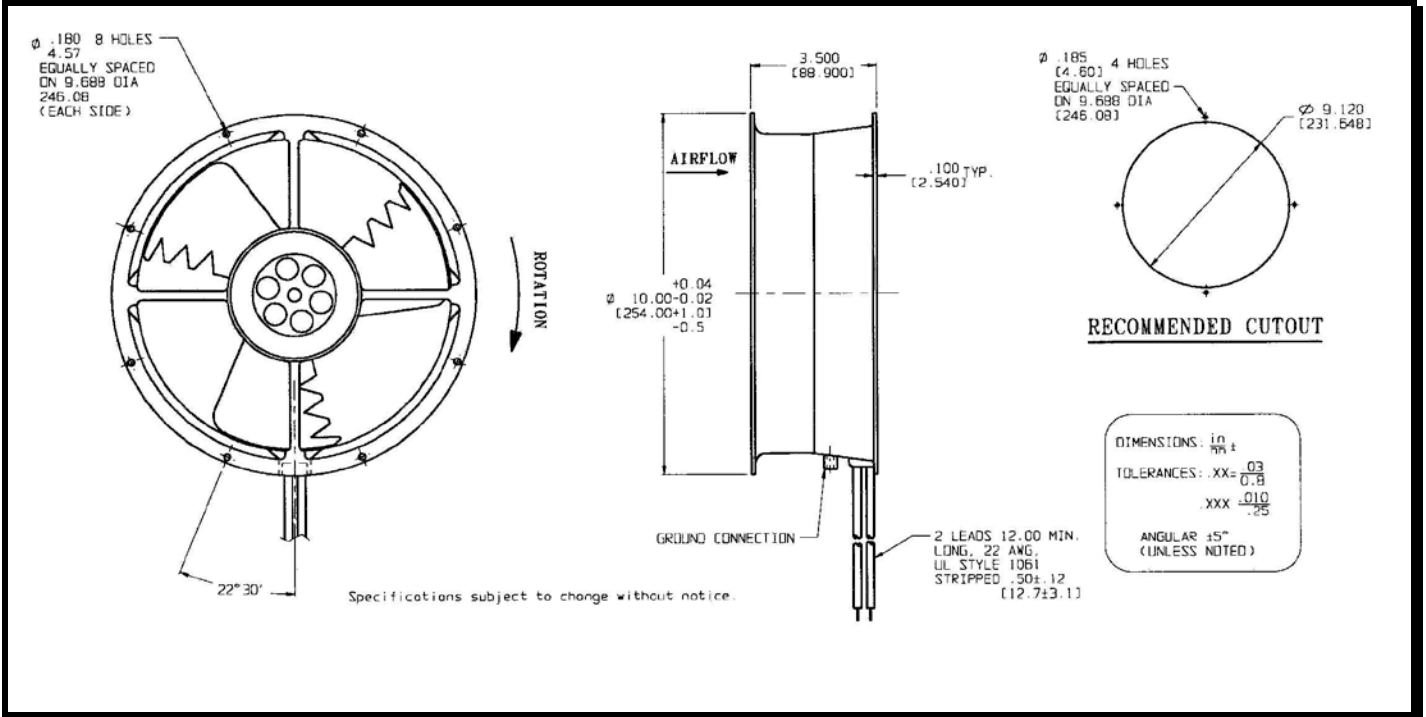
Preliminary Data

Model Number: CD48B7
Part Number: 19040161A

Version: 00
May 19, 2004



Mechanical Drawing:



Motor:

Nominal Voltage = 48 vdc
Operating Voltage Range = 24 - 56 vdc
Nominal Running Current = 0.630 amps
Locked Rotor Current = 1.500 amps
Running Power = 30.2 watts
Average Speed = 1640 rpm
Bearings = Ball
Air Flow = 550 cfm
Acoustic = 49.1dBA

Construction:

Venturi: Die-Cast Aluminum, Black
Propeller: Polycarbonate, Black, UL 94V-0

Life Expectancy:

This fan is designed for continuous duty life of 60,000 hours at 40°C.

Agency Approvals:

UL, CUR, CE

Additional Features:

Brushless DC Motor
Polarity Protected
Locked Rotor Protection
Automatic Restart Capability
Operating Temperature: -10°C to 70°C
Storage Temperature: -40°C to 85°C

Tachometer Specifications:

Output: 5 volt TTL Compatible
 I_c : 5 vdc Typical
Pulses Per Revolution: 2
Isolated: No

Termination:

12" Lead wires, 22 AWG, UL 1061
Red = Power (+)
Black = Return (-)
Blue/White = Tach (Output)