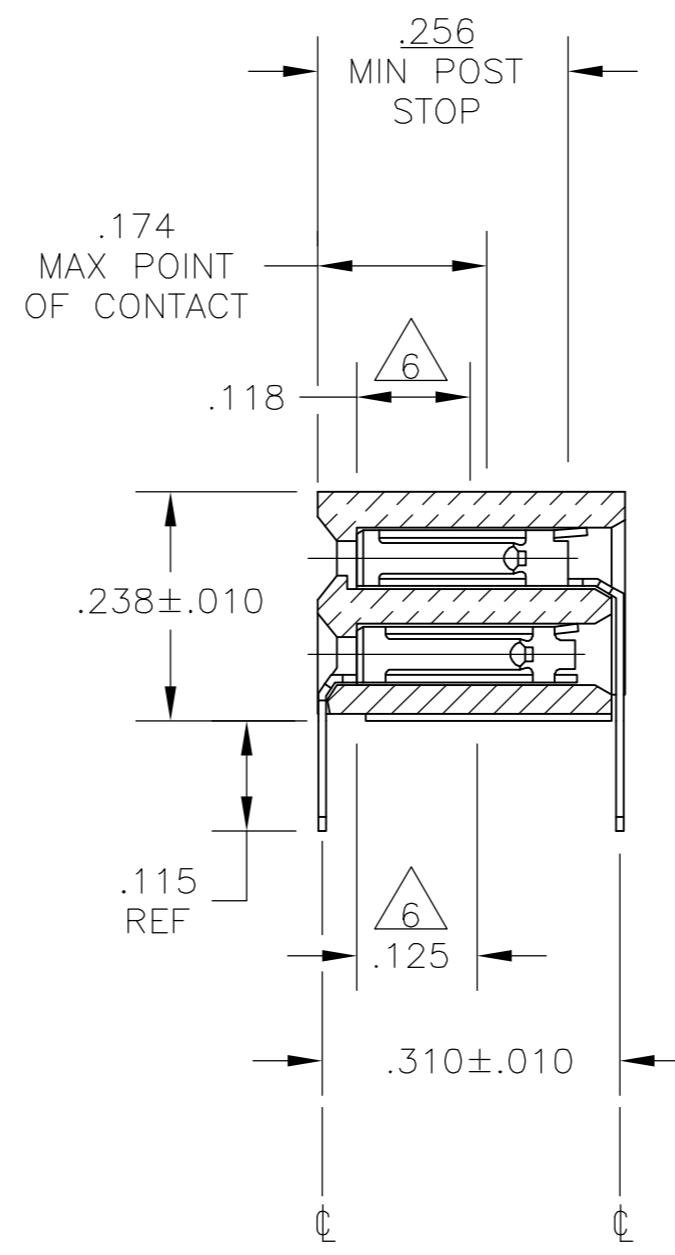
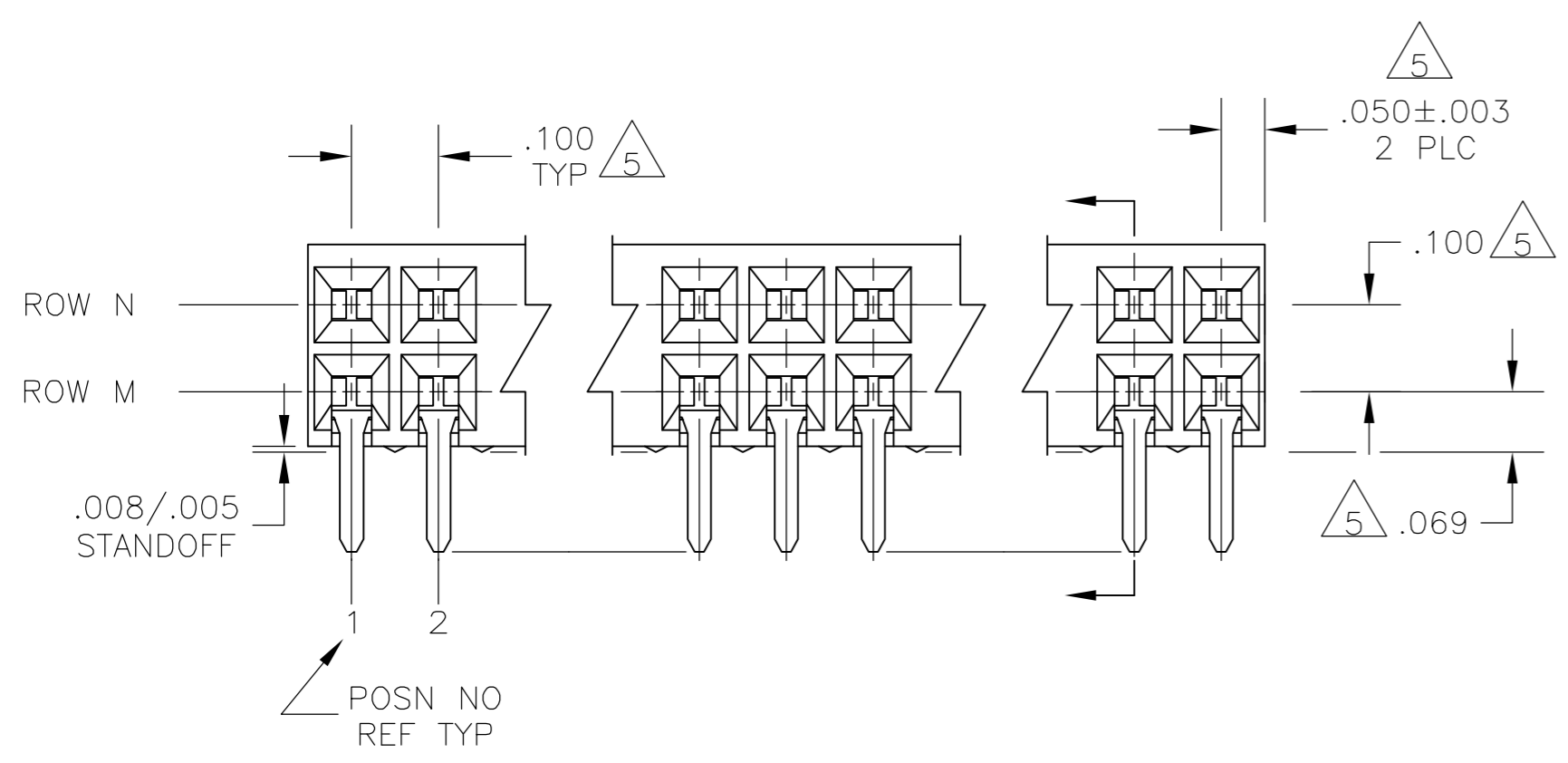
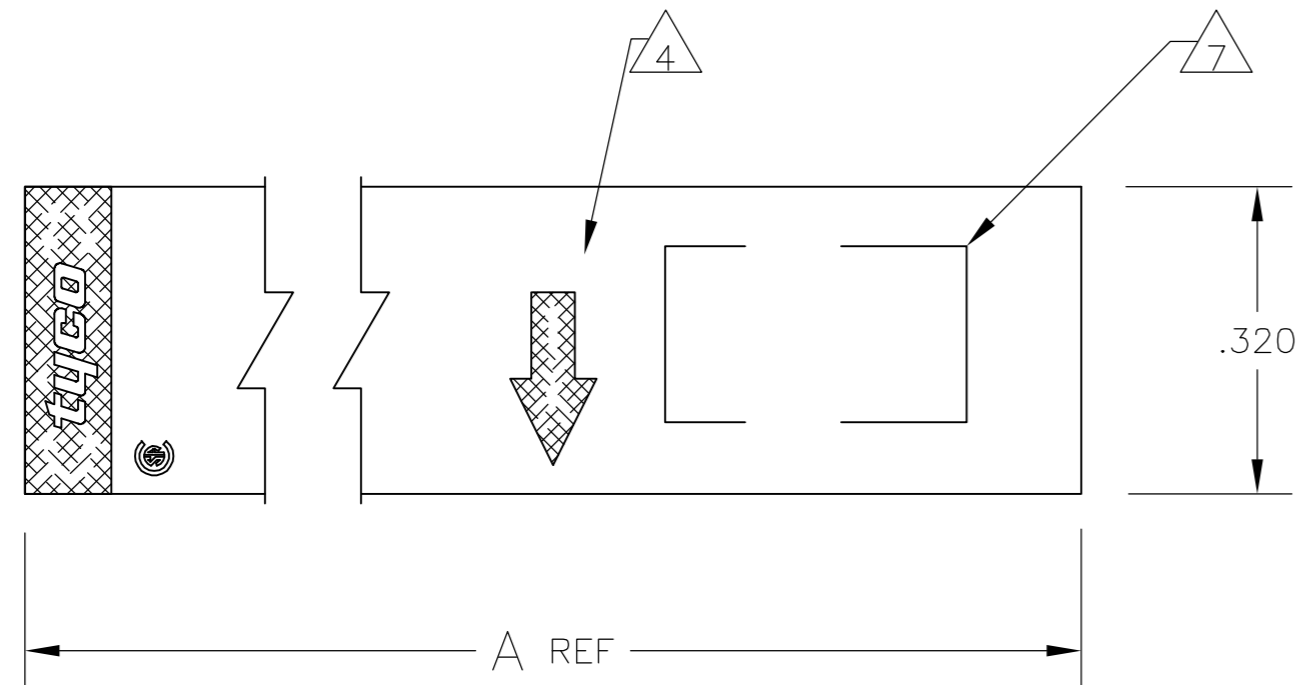
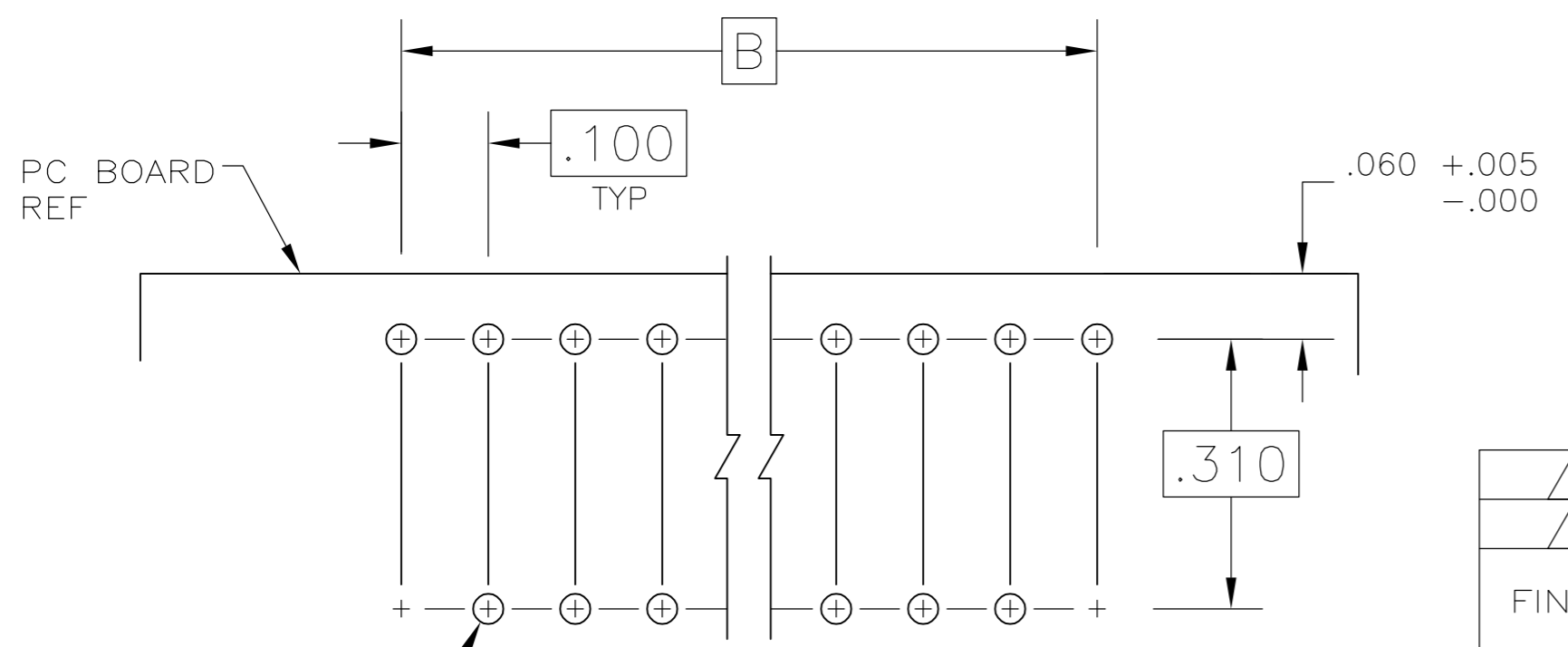


THIS DRAWING IS UNPUBLISHED. RELEASED FOR PUBLICATION  
 © COPYRIGHT BY TYCO ELECTRONICS CORPORATION. ALL RIGHTS RESERVED.

LOC		DIST		REVISIONS			
AD	00	P	LTR	DESCRIPTION	DATE	DWN	APVD
		B		EC 0G3C 0007 05	07FEB05	BSV	JRO



- △1 HOUSING MATERIAL : GLASS FILLED, FLAME RETARDANT POLYESTER, COLOR-BLACK.
- △2 CONTACT MATERIAL : PHOSPHOR BRONZE.
- △3 CONTACT FINISH : DUPLEX PLATED .000030 GOLD ON CONTACT AREA, .000150-.000300 BRIGHT TIN-LEAD ON SOLDER TINES, ALL OVER .000050 MIN. NICKEL.
- △4 MOLDED IN ARROW DESIGNATES THE MATING FACE OF THE CONNECTOR.
- △5 DIMENSIONS PERTAIN TO CAVITY CENTERLINES.
- △6 POINT OF MEASUREMENT FOR PLATING THICKNESS OF CONTACT AREA.
- △7 DATE CODE AND PART NUMBER MARKED IN APPROXIMATE LOCATION SHOWN.
- △8 CONTACT FINISH : DUPLEX PLATED .000030 GOLD ON CONTACT AREA, .000150-.000300 MATTE TIN ON SOLDER LEADS, ALL OVER .000050 MIN. NICKEL.
- △9 ROHS 2002 /95/EC COMPLIANT



△8	3, 6, 12, & 15	3, 6, 12, & 15	1.600	1.700	26/34	△9 5-147046-1
△3	3, 6, 12, & 15	3, 6, 12, & 15	1.600	1.700	26/34	147046-1
FINISH	ROW M	ROW N	B	A	NO. OF POSITIONS	ASSEMBLY PART NUMBER
	POSITIONS OMITTED					

RECOMMENDED PC BOARD LAYOUT

THIS DRAWING IS A CONTROLLED DOCUMENT.

DIMENSIONS: INCHES	TOLERANCES UNLESS OTHERWISE SPECIFIED:	DWN J.HERRINGTON 16SEP97	Tyco Electronics Corporation Harrisburg, Pa 17105-3608
	0 PLC ± -	CHK J.HERRINGTON 16SEP97	
	1 PLC ± -	APVD J.HERRINGTON 16SEP97	
	2 PLC ± -	PRODUCT SPEC	
	3 PLC ± -	NAME	AMPMODU MOD II RECEPTACLE ASSEMBLY, HORIZONTAL, .100 CL, 2 ROW, CLOSED-ENTRY, SHORT POINT-OF-CONTACT, DUPLEX PLATING
	4 PLC ± -	APPLICATION SPEC	SIZE CAGE CODE DRAWING NO RESTRICTED TO
	ANGLES ± -	WEIGHT	A2 00779 C=147046
MATERIAL	FINISH	CUSTOMER DRAWING	SCALE 5:1 SHEET 1 OF 1 REV B