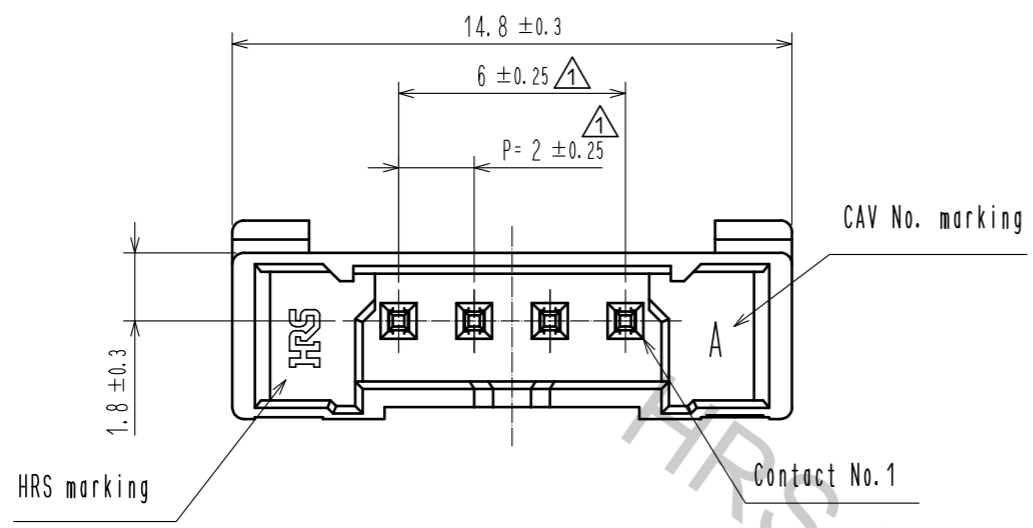
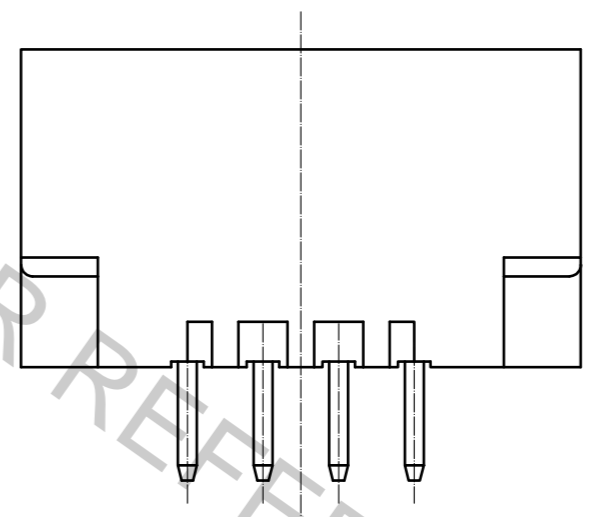
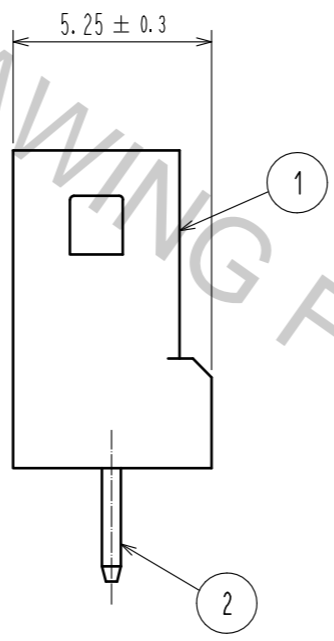
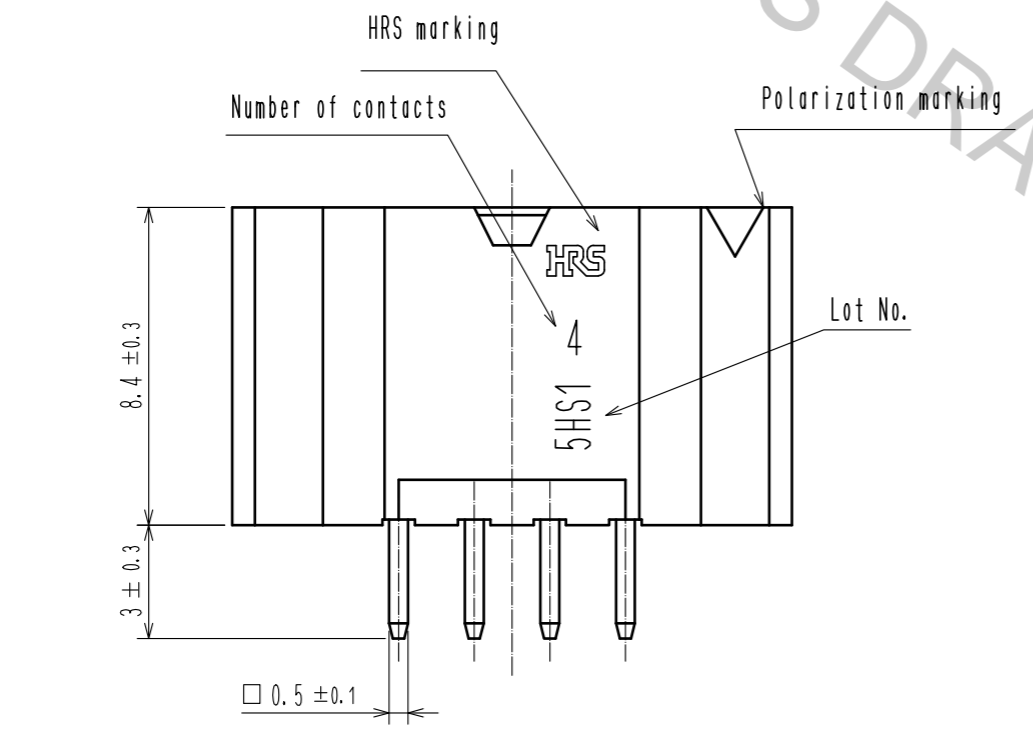
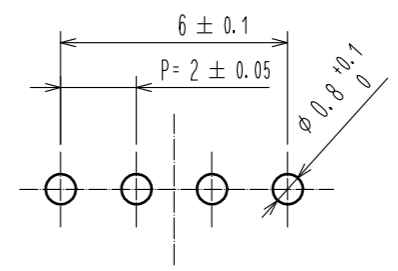


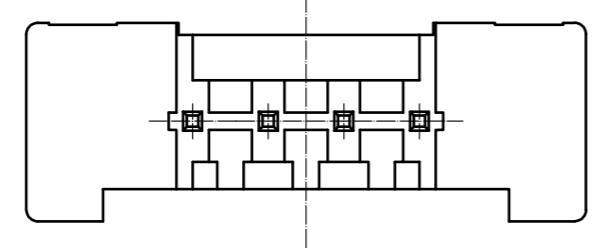
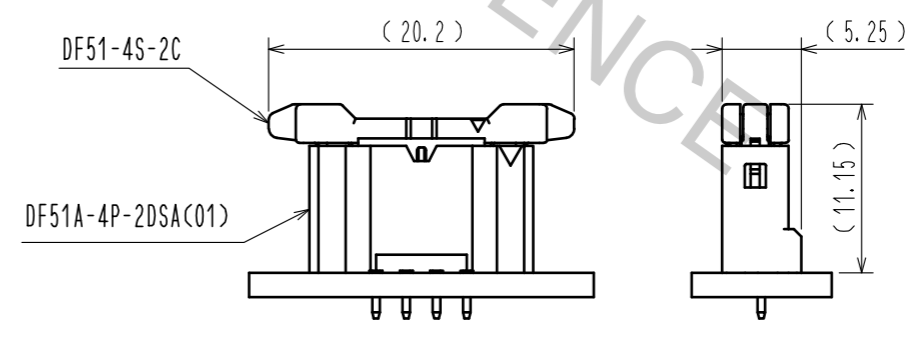
Aug.1.2018 Copyright 2018 HIROSE ELECTRIC CO., LTD. All Rights Reserved.
 In case that the application demands a high level of reliability, such as automotive,
 please contact a company representative for further information.



RECOMMENDED PATTERN(FREE)
 (BOARD THICKNESS t=1.6mm)



MATING FIGURE (2:1)



Note 1. Per pack : 100 Pieces.
 2. The dimension parenthesis are for reference.

1	PBT	UL94V-0, BLACK	2	BRASS	SURFACE: Au PLATING 0.1 μm MIN UNDER PLATING: NICKEL PLATING 0.5 μm MIN
NO.	MATERIAL	FINISH, REMARKS	NO.	MATERIAL	FINISH, REMARKS
UNITS mm		SCALE 5 : 1	COUNT 2	DESCRIPTION OF REVISIONS DIS-H-00002733	DESIGNED TT. OHSAKO
				DATE 17. 04. 07	CHECKED ST. WADA
HRS HIROSE ELECTRIC CO., LTD.		APPROVED : HS. OKAWA	16. 11. 04	DRAWING NO. EDC-363916-01-00	
		CHECKED : YN. TAKASHITA	16. 11. 04	PART NO. DF51A-4P-2DSA(01)	
		DESIGNED : TT. OHSAKO	16. 11. 04	CODE NO. CL543-5107-0-01	
		DRAWN : TT. OHSAKO	16. 11. 04	1/1	