

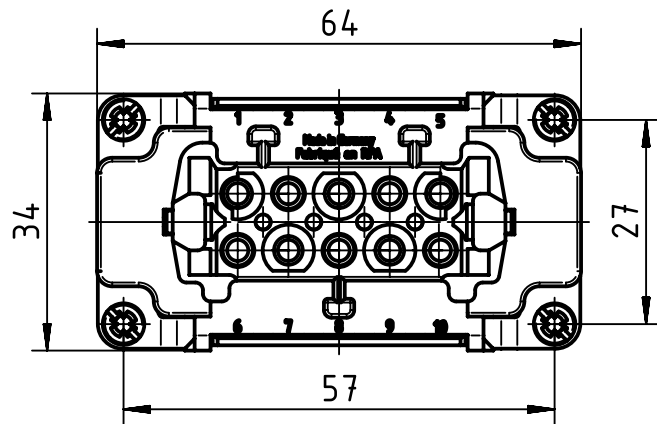
1 2 3 4 5 6

A

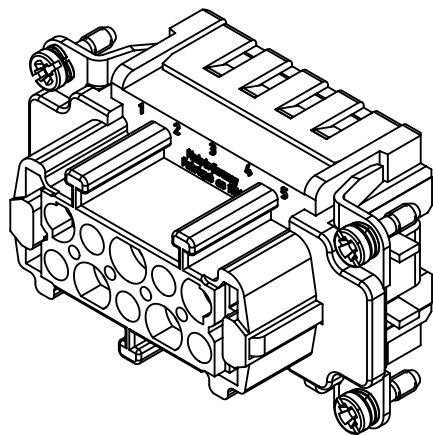
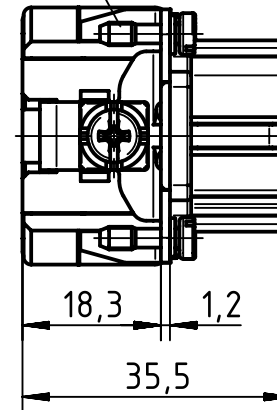
B

C

D



M3x10



	All Dimensions in mm Original Size DIN A4		Scale 1:1	Free size tol.		Ref.		
						Sub.		
	All rights reserved		Created by FINKEV	Inspected by SCHMIDTM	Standardisation TIEMANNA	Date 2013-05-17	State Approved	
	Department EL PD - DE		Title Han 10E HMC-F-c				Doc-Key / ECM-Nr. 100527288/UGD/002/A 500000062216	
HARTING Electric GmbH & Co. KG D-32339 Espelkamp			Type TB	Number 09 33 210 2702			Rev. A	Page 1/1