

REVISION X

DO NOT SCALE FROM THIS PRINT

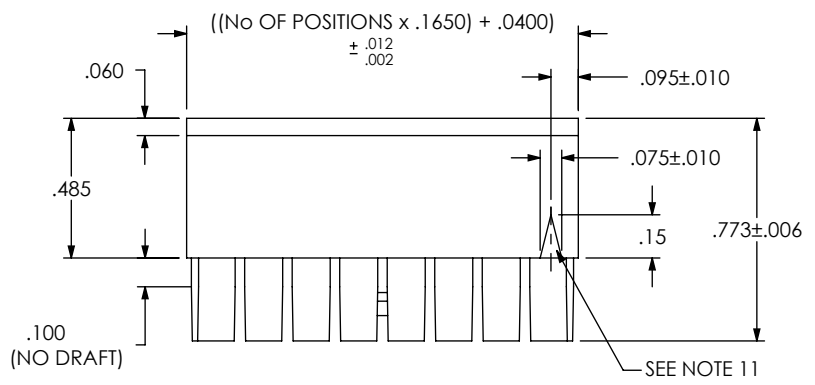


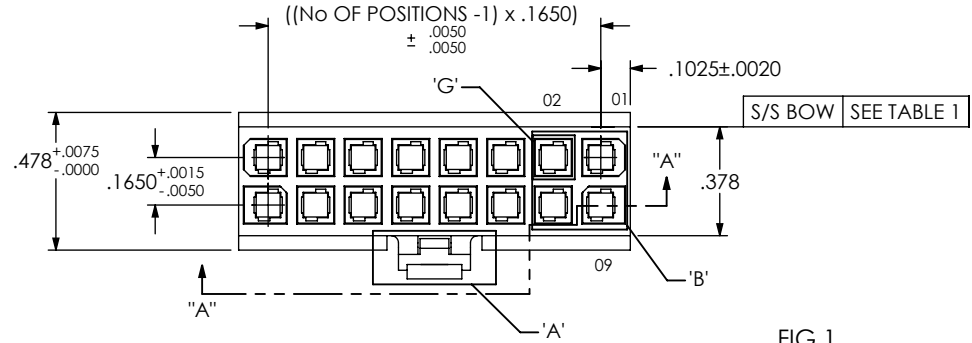
TABLE 1		
No OF POS	T/B BOW	S/S BOW
-02 THRU -09	.002	.002
-10 THRU -12	.004	.002
-13 THRU -15	.0075	.002

IPBD-XX-D-X

No OF POSITIONS
-02 THRU -15
(PER ROW)
[SEE FIG. 2 FOR -02 POSITION]

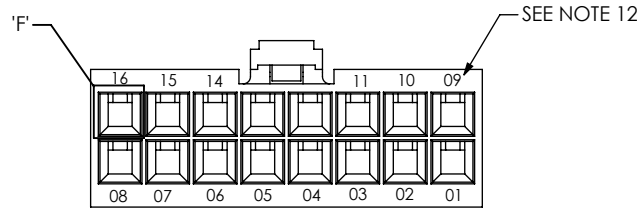
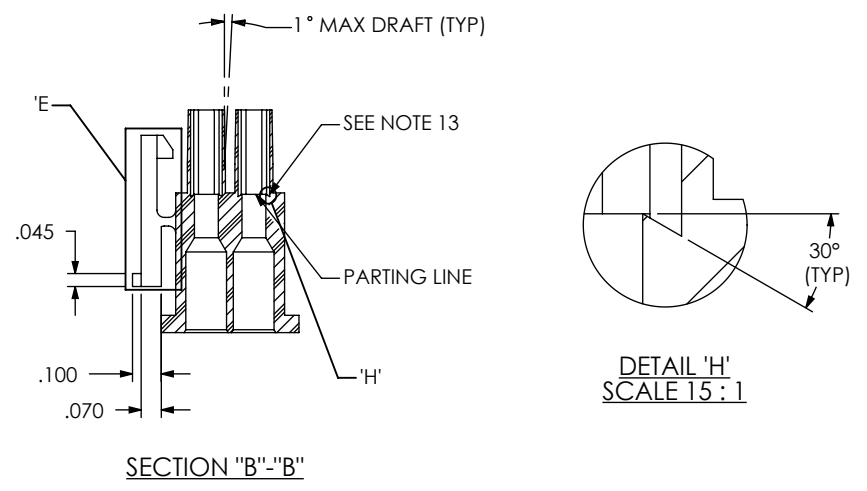
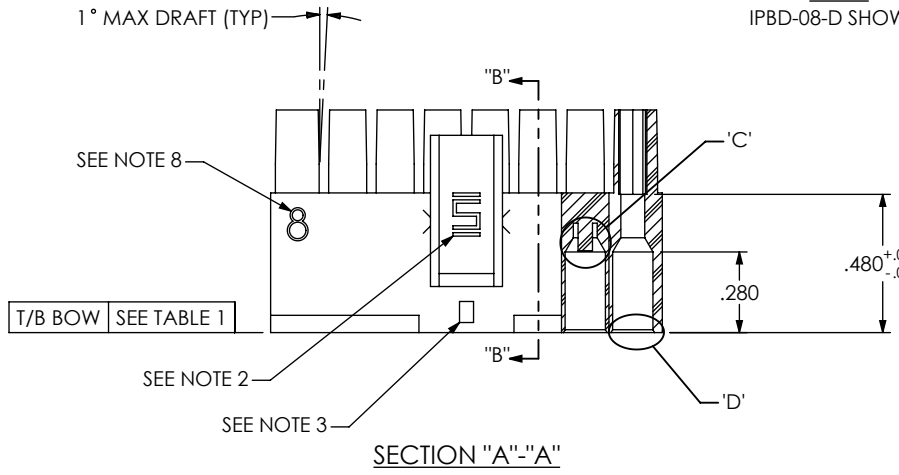
OPTION
-R: RETENTION LATCH
(SEE SHEET 3, FIG 3)
(SEE NOTE 16)
-K: KEYED POLARIZATION
(SEE FIG. 5 & 6,
SHEET 4)

ROW SPECIFICATION
-D: DOUBLE

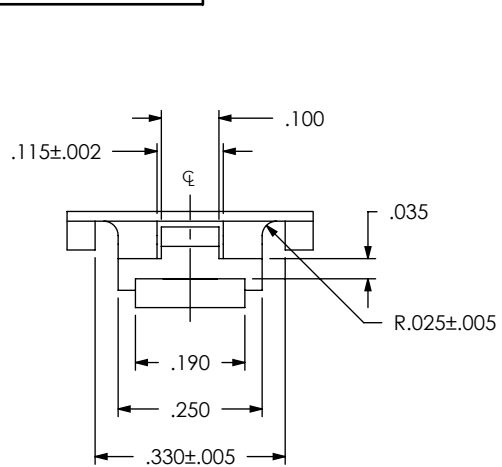


- NOTES:
1. REPRESENTS A CRITICAL DIMENSION.
 2. SAMTEC LOGO SHALL APPEAR AT ONE LOCATION ON SURFACE SHOWN, APPROXIMATELY .15 x .09 (BOTH SIDES).
 3. ALL MULTIPLE CAVITY MOLDS SHALL IDENTIFY EACH CAVITY WITH TOOL DEPENDANT CAVITY ID AT THE DISCRETION OF SAMTEC ENGINEERING.
 4. ALL IDENTIFICATION MARKS MUST NOT STAND GREATER THAN .002 OFF THE SURFACE OF THE PART.
 5. MOLDED SURFACES SHALL BE CONSISTENT AND SMOOTH. SURFACES TO BE FREE OF SCATCHES, NICKS, SINK AREAS, VOIDS OR OTHER BLEMISHES.
 6. MAX ALLOWABLE BOW: SEE TABLE 1.
 7. PART TO BE SYMMETRIC ABOUT THE CENTERLINE WITHIN +/- .001, UNLESS OTHERWISE STATED.
 8. NUMBER OF POSITIONS (PER ROW) TO BE SHOWN ON THIS SURFACE, SIZE AND DEPTH SIMILAR TO POSITION 1 INDICATOR.
 9. GATE PAD MUST BE RECESSED .005. GATE LOCATION IS AT THE MOLDERS DISCRETION.
 10. END CORES ARE POLARIZED. CONFIRM GEOMETRY RELATIVE TO POSITION 1 INDICATOR & GATE PAD.
 11. POSITION 1 INDICATOR TO BE .0005 MAX DEPTH.
 12. EACH POSITION TO BE IDENTIFIED WHERE SHOWN.
 13. .0005 MAX MISMATCH PERMISSIBLE (ALL FOUR SIDES).
 14. LATCH MUST CYCLE 10 TIMES WITHOUT EVIDENCE OF CRACKING OR COMPROMISE OF FUNCTION.
 15. CHECK THIS FEATURE WITH GO/NOGO GAUGE.
 16. OPTION NOT FOR SALE. FOR RETENTION LATCH FEATURE, SEE IPBD-XX-D-ML PRINT.
 17. POSITION INDICATOR NOT PRESENT ON 2 & 3 POSITION -R OPTION BODIES.

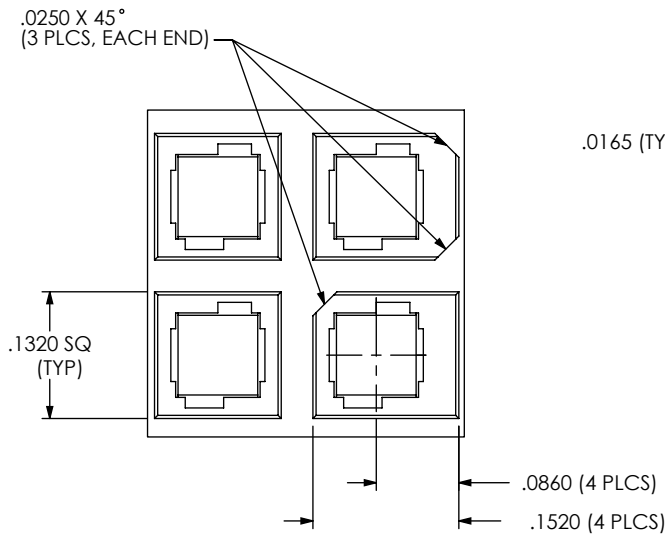
FIG 1
IPBD-08-D SHOWN



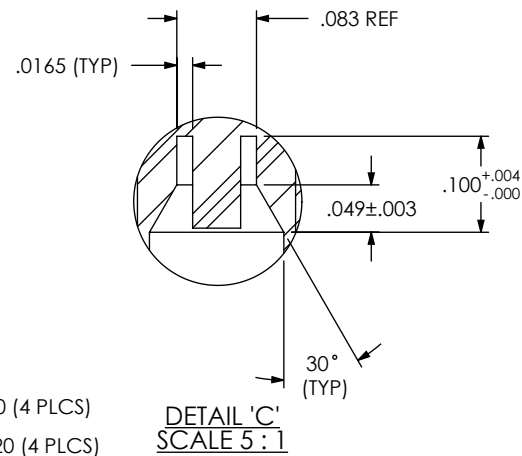
<p>UNLESS OTHERWISE SPECIFIED, DIMENSIONS ARE IN INCHES. TOLERANCES ARE:</p> <p>DECIMALS ANGLES</p> <p>.XX: ±.01 [.3] 5°</p> <p>.XXX: ±.003 [.08]</p> <p>.XXXX: ±.0015 [.038]</p>	<p>PROPRIETARY NOTE</p> <p>THIS DOCUMENT CONTAINS INFORMATION CONFIDENTIAL AND PROPRIETARY TO SAMTEC, INC. AND SHALL NOT BE REPRODUCED OR TRANSFERRED TO OTHER DOCUMENTS OR DISCLOSED TO OTHERS OR USED FOR ANY PURPOSE OTHER THAN THAT WHICH IT WAS OBTAINED WITHOUT THE EXPRESSED WRITTEN CONSENT OF SAMTEC, INC.</p>	<p>samtec</p> <p>520 PARK EAST BLVD, NEW ALBANY, IN 47150 PHONE: 812-944-6733 FAX: 812-948-5047 e-Mail: info@SAMTEC.com code 55322</p>	
		<p>DESCRIPTION: .165 SHROUDED CONTACT BODY</p>	
<p>MATERIAL: DO NOT SCALE DRAWING SHEET SCALE: 1.5:1</p> <p>VALOX 457, COLOR NATURAL</p> <p>MAX REGRIND: 0%</p> <p>MAX FLASH ALLOWED: .003</p> <p>MAX GATE VESTIGE: .004</p>		<p>DWG. NO. IPBD-XX-D-X</p>	
<p>F:\DWG\MISC\MKTG\IPBD-XX-D-X-MKT.SLDDRW</p>		<p>BY: DEAN P 10-24-2001 SHEET 1 OF 4</p>	



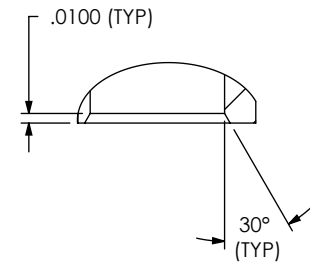
DETAIL 'A'
SCALE 3:1



DETAIL 'B'
SCALE 5:1

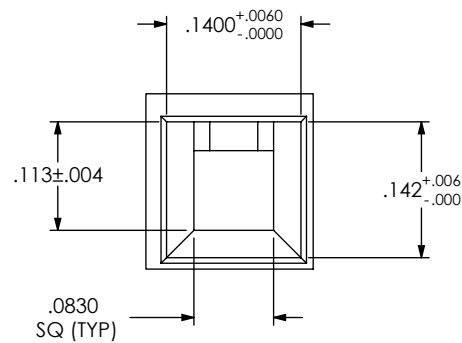
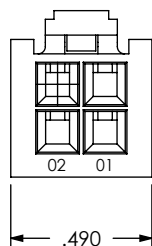
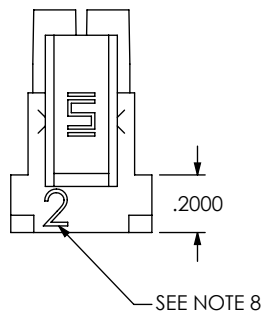


DETAIL 'C'
SCALE 5:1

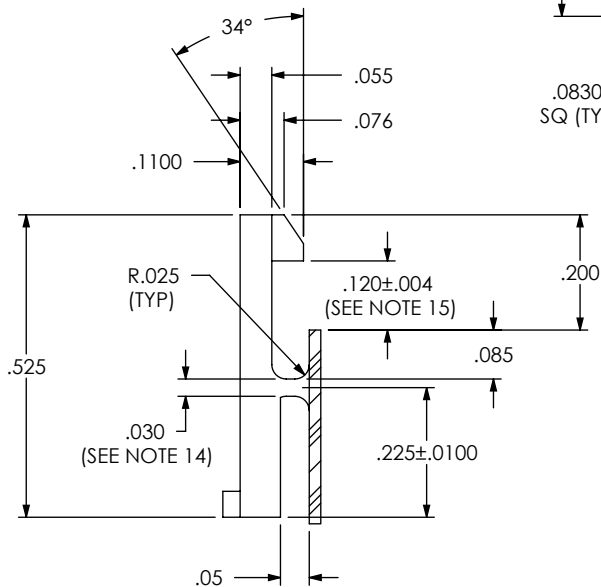


DETAIL 'D'
SCALE 5:1

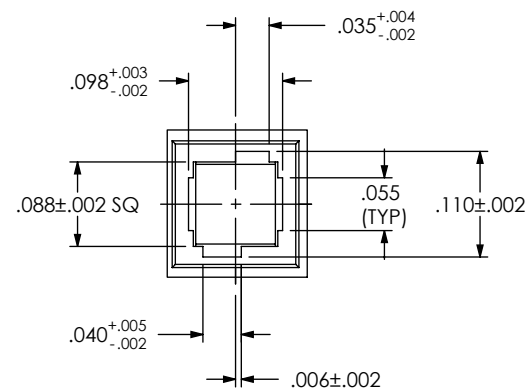
FIG 2
-02 POSITION
(SAME AS FIG 1, UNLESS OTHERWISE STATED)



DETAIL 'F'
SCALE 5:1



DETAIL 'E'
SCALE 3:1



DETAIL 'G'
SCALE 5:1

PROPRIETARY NOTE

THIS DOCUMENT CONTAINS INFORMATION CONFIDENTIAL AND PROPRIETARY TO SAMTEC, INC. AND SHALL NOT BE REPRODUCED OR TRANSFERRED TO OTHER DOCUMENTS OR DISCLOSED TO OTHERS OR USED FOR ANY PURPOSE OTHER THAN THAT WHICH IT WAS OBTAINED WITHOUT THE EXPRESSED WRITTEN CONSENT OF SAMTEC, INC.

DO NOT SCALE DRAWING

SHEET SCALE: 1.5:1

samtec

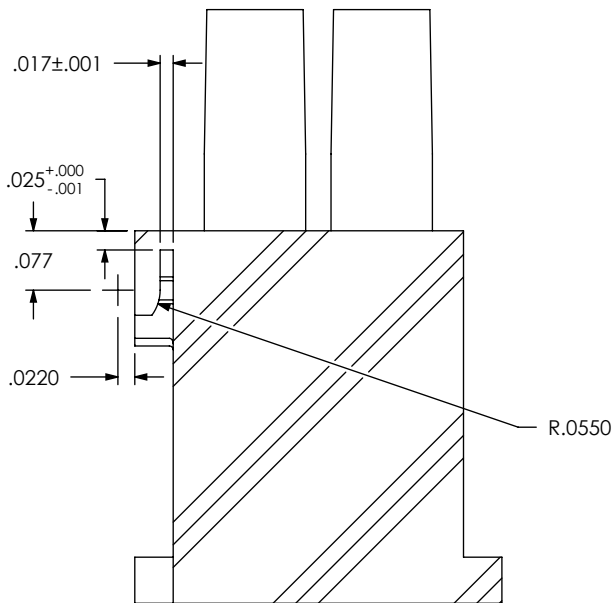
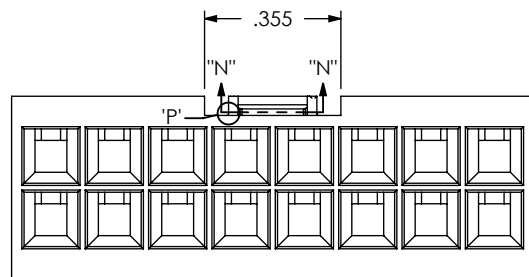
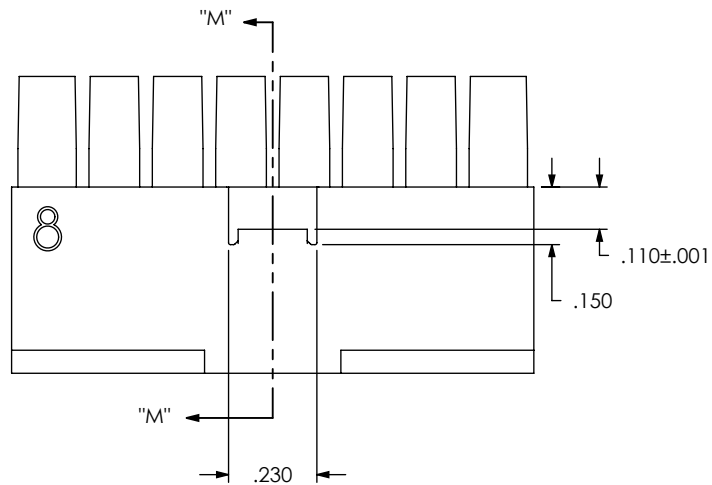
520 PARK EAST BLVD, NEW ALBANY, IN 47150
PHONE: 812-944-6733 FAX: 812-948-5047
e-Mail: info@SAMTEC.com code 55322

DESCRIPTION:
.165 SHROUDED CONTACT BODY

DWG. NO.
IPBD-XX-D-X

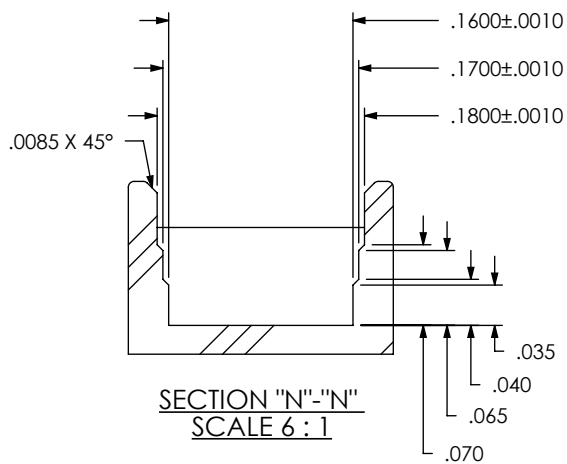
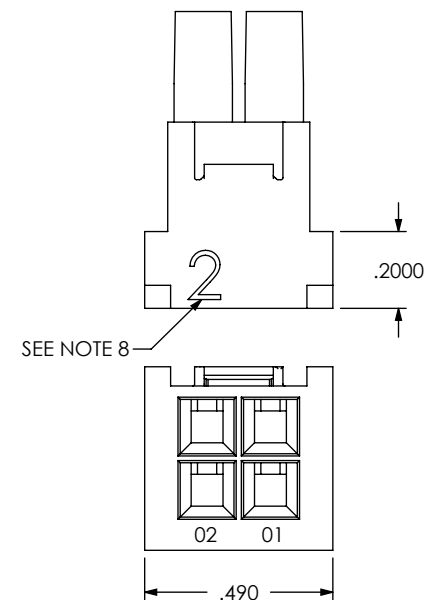
BY: DEAN P 10-24-2001 SHEET 2 OF 4

FIG 3
(IPBD-08-D-R SHOWN)
(SAME AS FIG 1, UNLESS OTHERWISE STATED)
(SEE NOTE 16)

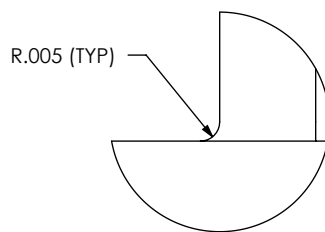


SECTION "M"- "M"
SCALE 4 : 1

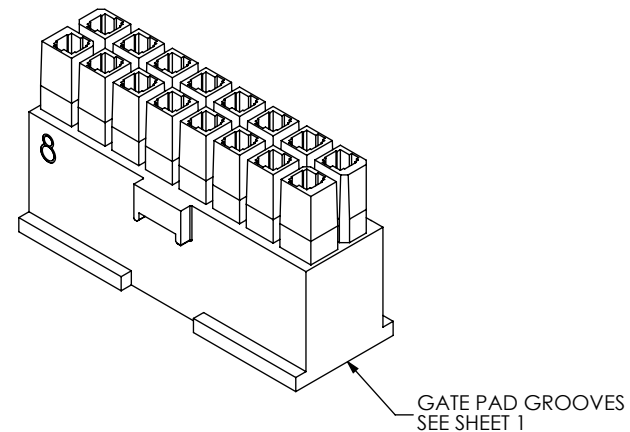
FIG 4
(IPBD-02-D-R SHOWN)
(SAME AS FIG 3, UNLESS OTHERWISE STATED)
(SEE NOTE 16)



SECTION "N"- "N"
SCALE 6 : 1



DETAIL 'P'
SCALE 20 : 1



PROPRIETARY NOTE

THIS DOCUMENT CONTAINS INFORMATION CONFIDENTIAL AND PROPRIETARY TO SAMTEC, INC. AND SHALL NOT BE REPRODUCED OR TRANSFERRED TO OTHER DOCUMENTS OR DISCLOSED TO OTHERS OR USED FOR ANY PURPOSE OTHER THAN THAT WHICH IT WAS OBTAINED WITHOUT THE EXPRESSED WRITTEN CONSENT OF SAMTEC, INC.

DO NOT SCALE DRAWING

SHEET SCALE: 2:1

samtec

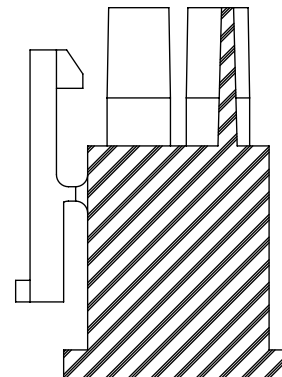
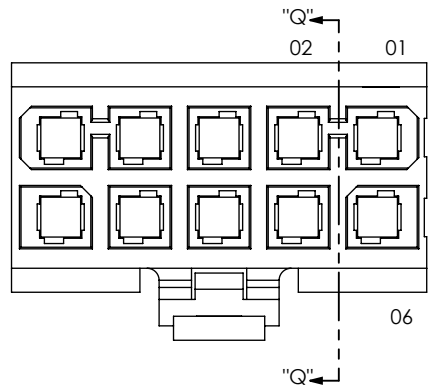
520 PARK EAST BLVD, NEW ALBANY, IN 47150
PHONE: 812-944-6733 FAX: 812-948-5047
e-Mail: info@SAMTEC.com code 55322

DESCRIPTION: .165 SHROUDED CONTACT BODY

DWG. NO. **IPBD-XX-D-X**

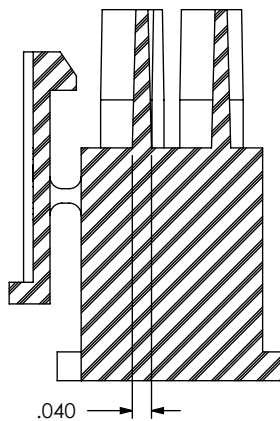
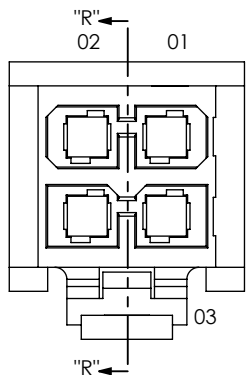
BY: DEAN P 10-24-2001 SHEET 3 OF 4

FIG 5
 (IPBD-05-D-K SHOWN)
 (SAME AS FIG 1, UNLESS OTHERWISE STATED)
 (TYPICAL FOR POSITIONS 3 THRU 15)



SECTION "Q"-"Q"
SCALE 2.5 : 1

FIG 6
 (IPBD-02-D-K SHOWN)
 (SAME AS FIG 5, UNLESS OTHERWISE STATED)



SECTION "R"-"R"
SCALE 2.5 : 1

PROPRIETARY NOTE
 THIS DOCUMENT CONTAINS INFORMATION
 CONFIDENTIAL AND PROPRIETARY TO
 SAMTEC, INC. AND SHALL NOT BE REPRODUCED
 OR TRANSFERRED TO OTHER DOCUMENTS OR
 DISCLOSED TO OTHERS OR USED FOR ANY
 PURPOSE OTHER THAN THAT WHICH IT WAS
 OBTAINED WITHOUT THE EXPRESSED WRITTEN
 CONSENT OF SAMTEC, INC.

DO NOT SCALE DRAWING

SHEET SCALE: 2:1

samtec

520 PARK EAST BLVD, NEW ALBANY, IN 47150
 PHONE: 812-944-6733 FAX: 812-948-5047
 e-Mail info@SAMTEC.com code 55322

DESCRIPTION:
 .165 SHROUDED CONTACT BODY

DWG. NO.
IPBD-XX-D-X

BY: DEAN P 10-24-2001 SHEET 4 OF 4