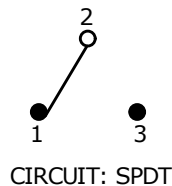


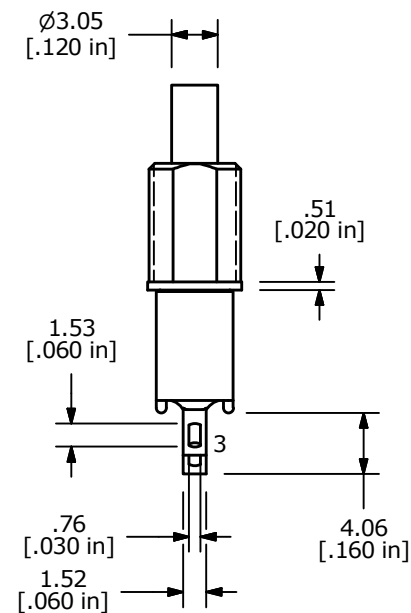
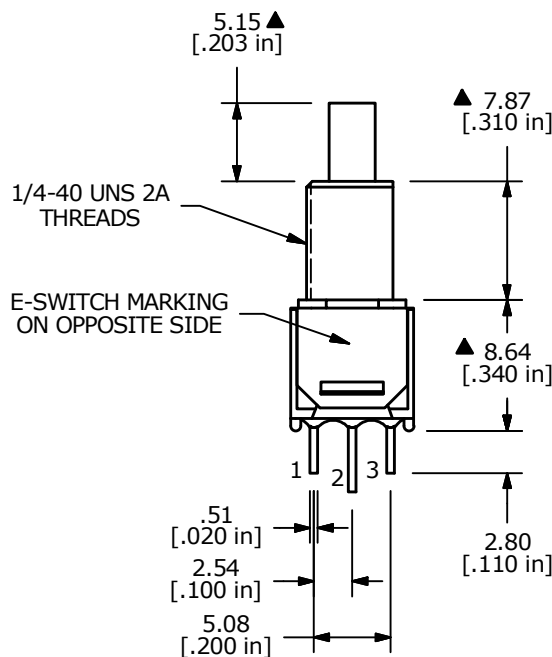
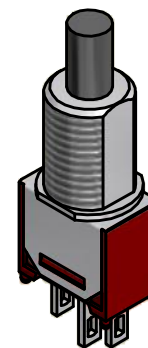
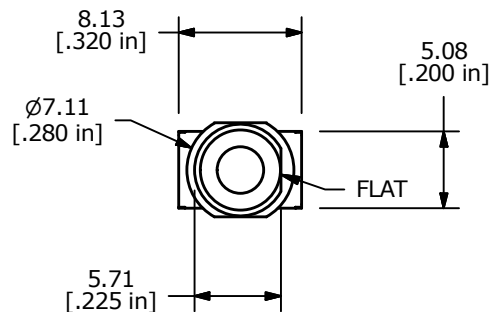
SWITCH FUNCTION	
POS. 1	POS. 2
ON	(ON)
2-1	2-3

(ON)=MOMENTARY



NOTE:

- ALL DIMENSIONS IN MM [INCH]
- GENERAL TOLERANCE: X.X = ±0.4
X.XX = ±0.25
- TERMINAL NUMBERS FOR REF ONLY
- CONTACT MATERIAL: SILVER
- RATING: 1A @ 250 VAC
3A @ 120 VAC OR 28 VDC
- MECHANICAL LIFE: 50,000 MAKE-AND-BREAK CYCLES
- CONTACT RESISTANCE: 20 mΩ MAX. INITIAL @ 2-4VDC
100mA FOR BOTH GOLD AND SILVER CONTACTS
- INSULATION RESISTANCE: 1,000 MEGA-OHM MIN.
- DIELECTRIC STRENGTH: 1,000 V RMS @SEA LEVEL.
- OPERATING TEMP.: -30°C to 85°C
- HARDWARE TO BE SHIPPED BULK
T100000 - HEXNUT - QTY 2
T100011 - LOCKWASHER - QTY 1
T100002 - LOCKRING - QTY 1
- ▲ DENOTES CRITICAL PARAMETER.
- 2002/95/EC (ROHS) COMPLIANT



D	21937	Correct Switch Function Diagram	7/31/15	MW
C	21934	CORRECT HARDWARE AND DWG. TITLE	7/30/15	MW
B	20023	UPDATE DRAWING	06/23/11	BMA
A	14753	RELEASED FOR PRODUCTION	03/09/05	AR
REV	PCR NO	DESCRIPTION	DATE	BY



TITLE 800SP8B9M1QE H

THE INFORMATION CONTAINED IN THIS DOCUMENT IS PROPRIETARY TO E-SWITCH AND IS NOT TO BE COPIED OR TRANSFERRED

SCALE	DATE	DR	DWG	REV
2:1	3/9/2005	MM	ST822013	D