

1

2

3

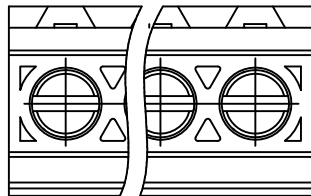
4

5

6

7

A



B

C

D

E

F

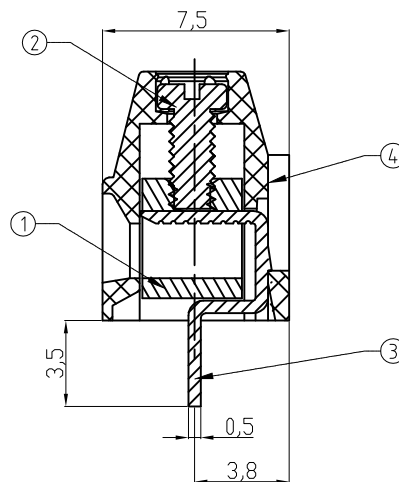
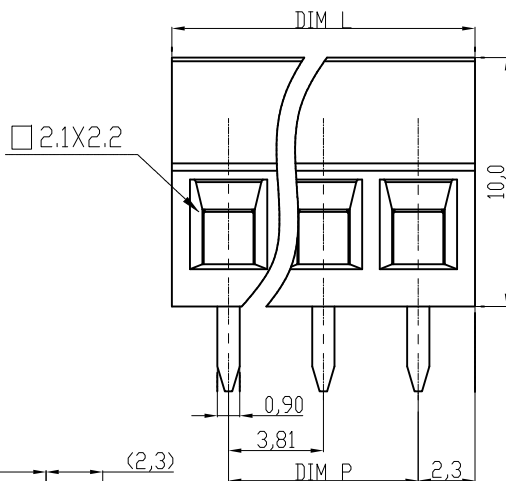
G

H

Material

- ① Clamp: Brass, Ni plated
- ② Terminal screw: Steel Zinc plating "-" slot type
- ③ Wire guard solder pin: Brass, Tin plated
- ④ Terminal housing: Thermoplastic (UL94V-0), GREEN

Electrical cULus
 Voltage rating: 300VAC
 Current rating: 8A
 Wire range:
 Solid wire (AWG): 16-24
 Stranded wire (AWG): 16-24
 Torque (Lb-In): 2.17
 Screw: M2
 Wire strip length: 6-7mm
 Withstanding Voltage: 1.6KV
 Operating temperature: -40°C to +115°C
 Soldering temperature: 250°C ± 10°C / 5 Sec
 Safety Approval:

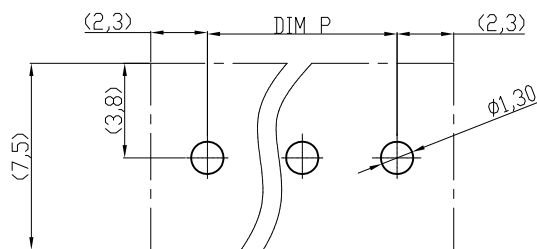


DIMENSION

L	(N-1)x3.81+4.55
P	(N-1)x3.81

N=Number of poles

Poles	Tolerance
	DIM L&DIM P
2p-4p	±0.15
5p-8p	±0.25
9p-16p	±0.30
17p-24p	±0.35



RECOMMENDER PCB LAYOUT

RoHS compliant

Scale	1:1	Date	19.04.2010	Name	Alex	Customer-No.	ASSMANN WSW-No. A-TB381-EDxxSB
TOLERANCE		Drawn	19.04.2010	Hellwig	Drawing-No.	ASS 4109 CO	rev00
X.	±0.50	Approved	19.04.2010		Replace	Sheet	
X.X	±0.30						
X.XX	±0.10						
DIM	TOL						
X.°	±1°						
Angle	TOL	© Drawn	19.04.2010	Alex	ASSMANN WSW components		
		Id.	Modification	Date	Name		

1

2

3

4

5

6

7

A

B

C

D

E

F

G

H