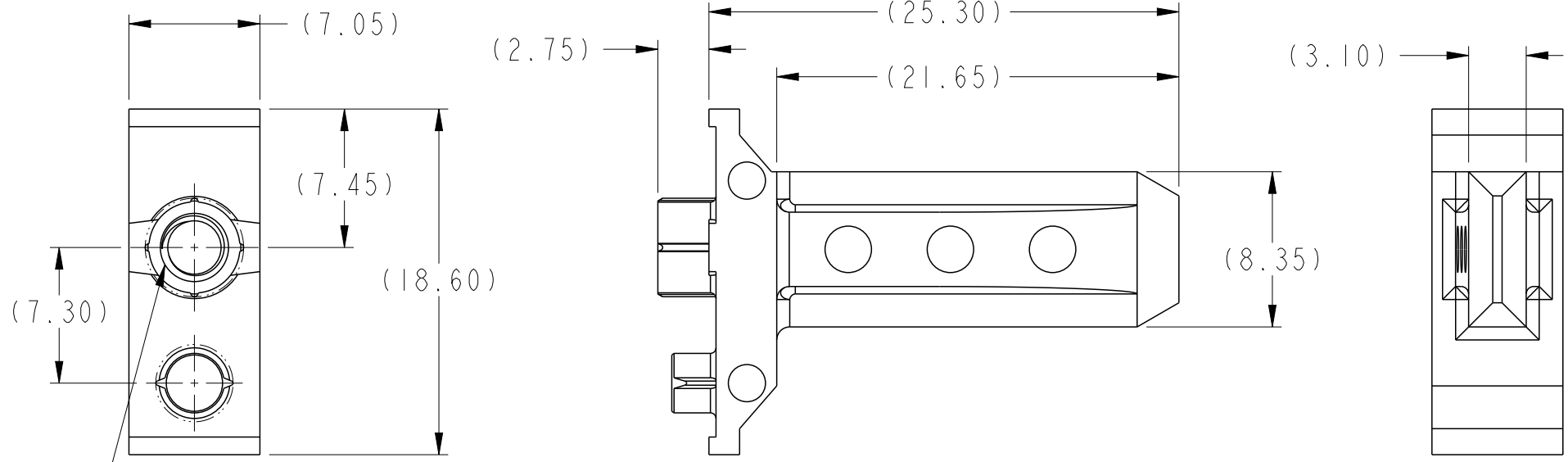


PRODUCT NUMBER

10066832-101LF



M3.5 X 0.6-6H
 B THREAD DEPTH 5.00mm MINIMUM



Copyright FCI.

spec ref		dr	Chen-Hong Tan	2006/05/02	projection 	MM 	size	A4	scale	2:1
tolerance std ASME Y14.5	TOLERANCES UNLESS OTHERWISE SPECIFIED	eng	N Anandakumar	2013/04/08			ecn no	ELX-S-14283-1		
		chr	-	-			rel level	Released		
surface	3.2	appr	Chen-Hong Tan	2013/04/15	product family	AirMax Accessories				
ASME Y14.5	linear	0.X	±0.3	 www.fci.com	title 7.2mm GUIDE PIN 25.3mm LONG, W/ INTERNAL THREAD	dwg no 10066832	rev B			
		0.XX	±0.10							
		0.XXX	±0.050							
	angular	0°	±2°	cat. no.	-	Product - Customer Drw	sheet 1 of 2			

Pro/E File - REV C - 2009-06-09

1

2

3

4

A

B

C

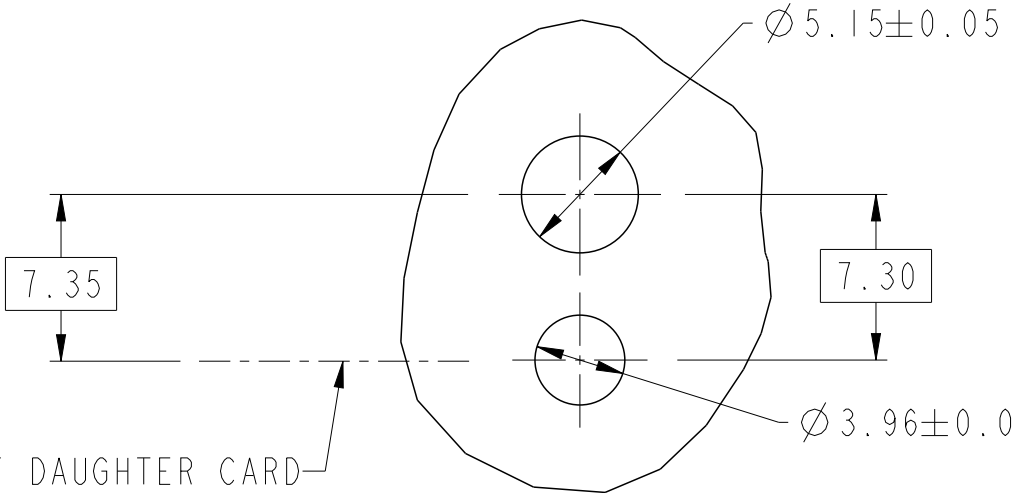
D

A

B

C

D



TOP OF DAUGHTER CARD

SEE NOTE 3 & 4
SCALE 3:1

1. MATERIAL: ZINC ALLOY.
2. FINISH: ZINC YELLOW CHROMATE.
- ③ APPLICATION SPECIFICATION: GS-20-045
- ④ REFER TO CUSTOMER DRAWING 10035911 FOR INFORMATION REGARDING PCB LAYOUT OF POWER AND GUIDE MODULES RELATIVE TO SIGNAL MODULES.
5. THIS PRODUCT MEETS EUROPEAN UNION DIRECTIVES AND OTHER COUNTRY REGULATIONS AS DESCRIBED IN GS-22-008
6. PACKAGING MEETS GS-14-920 LEAD FREE LABELING SPECIFICATION.
7. A \triangle SYMBOL WILL BE NEXT TO ANY DIMENSION, VIEW, OR NOTE WHICH HAS BEEN MODIFIED WITH THE CURRENT DRAWING REVISION.



Copyright FCI.

spec ref		dr	Chen-Hong Tan	2006/05/02	projection 	MM 	size	A4	scale	3:10	
tolerance std ASME Y14.5	TOLERANCES UNLESS OTHERWISE SPECIFIED	eng	N Anandakumar	2013/04/08			ecn no	ELX-S-14283-1			
		chr	-	-				rel level	Released		
surface	3.2	appr	Chen-Hong Tan	2013/04/15	product family	AirMax VS					
ASME Y14.5	angular	0°	±2°		title	7.2mm GUIDE PIN		dwg no	10066832	rev	B
	linear	0.X	±0.3	www.fci.com	cat. no.	-	Product - Customer Drw	sheet 2 of 2			
		0.XX	±0.10								
		0.XXX	±0.050								

Pro/E File - REV C - 2009-06-09

2

3

4

PDS: Rev :B

STATUS:Released

Printed: Apr 15, 2013