

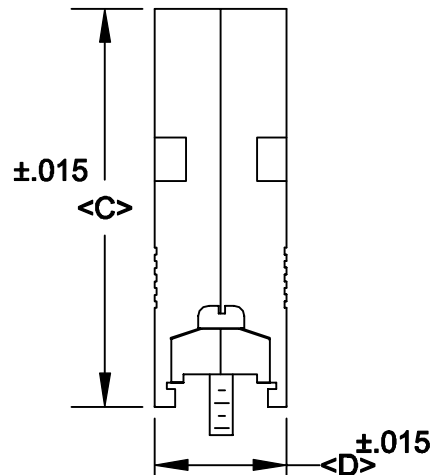
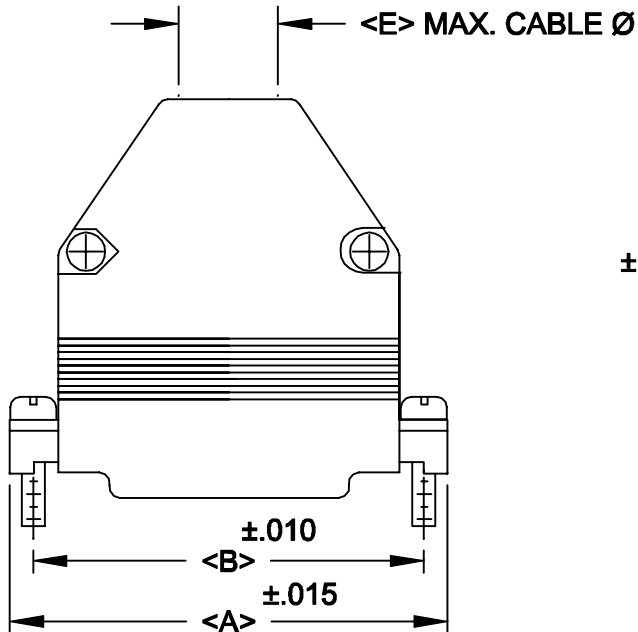
DESCRIPTION: **979 SERIES D-SUB BACKSHELL**

979-XXX-XXX-XX1

BACKSHELL KIT INCLUDES:

- (2) BACKSHELL HALVES
- (2) 4-40 MATING SCREW
- (2) SADDLE WASHERS
- (2) HOUSING SCREWS
- (2) HOUSING NUTS
- (1) GROMMET TREE - VARIOUS SIZES
(NON-CONDUCTIVE GROMMETS)

SERIES _____
 POSITIONS _____
 009
 015
 025
 037
 050
 MATERIAL _____
 030 = ZINC
 COLOR: _____
 12 = NICKEL OVER COPPER
 PUT-UPS _____
 1 = KIT



POS.	A	B	C	D	E
9	1.225	.984	1.900	.630	.415
	31.12	24.99	48.26	16.00	10.54
15	1.553	1.312	1.900	.630	.415
	39.44	33.32	48.26	16.00	10.54
25	2.100	1.852	1.900	.630	.415
	53.34	47.04	48.26	16.00	10.54
37	2.730	2.500	1.900	.630	.620
	69.34	63.50	48.26	16.00	15.74
50	2.640	2.406	1.900	.770	.730
	67.06	61.11	48.26	19.56	18.54

**MATERIAL: DIE-CAST ZINC ALLOY
 PLATING: NICKEL OVER COPPER**

	THESE DRAWINGS AND SPECIFICATIONS ARE THE PROPERTY OF NorComp AND SHALL NOT BE REPRODUCED, COPIED OR USED AS THE BASIS FOR THE MANUFACTURE OR SALE OF APPARATUS WITHOUT WRITTEN PERMISSION.		DRAWN: PAM JENKINS	DATE: 8-6-98
			CHECKED	DATE:
NorComp		SCALE	SHEET	OF
		DWG NO.		REV
		979-XXX-030-121		2