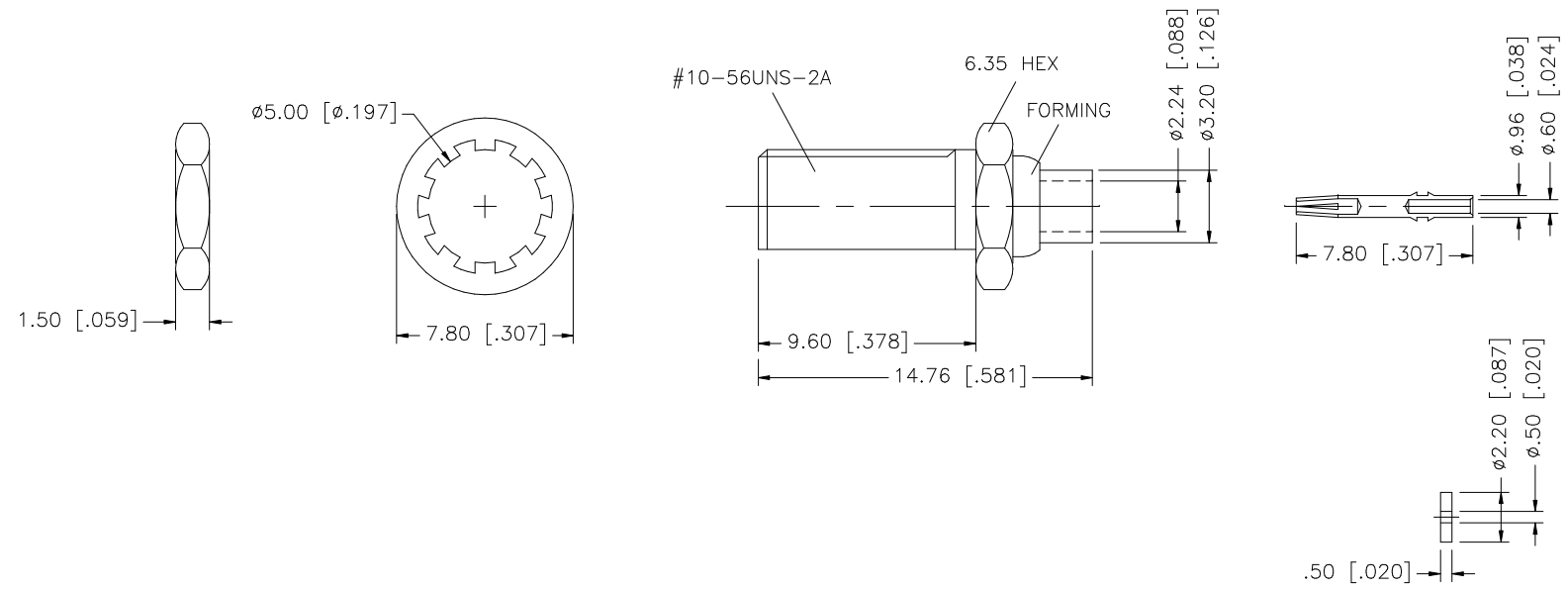
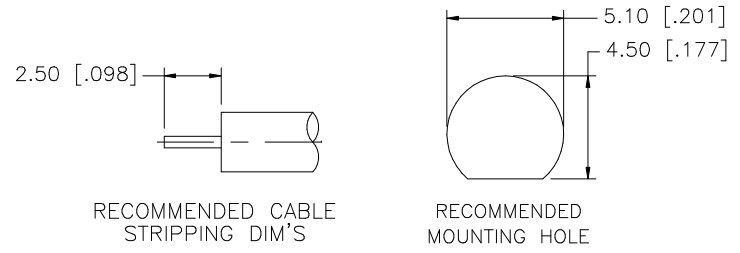


REV.	DATE	DESCRIPTION
A	06/05/03	UPDATE DRAWING FORMAT



- NOTES:
- CONTACT PIN TO SOLDER
 - MAX. PANEL THICKNESS = 6.8mm

QTY	DESCRIPTION	MATERIAL	FINISH	QTY	UNLESS OTHERWISE SPECIFIED DIMENSIONS ARE IN MILLIMETERS. DIMENSIONS IN [] ARE IN INCHES AND FOR CUSTOMER REFERENCE ONLY.	APPROVALS	DATE	Amphenol Connex		
8								PART DESCRIPTION		
7										
6	HEX NUT	BRASS	GOLD	1	UNLESS OTHERWISE SPECIFIED TOLERANCES FOR MILLIMETERS ARE: 0.5 - 8mm ± 0.20mm 8 - 30mm ± 0.40mm 30 - 120mm ± 0.50mm	DRAWN G.R.S.	06/05/03	PART NO. 252163		
5	LOCK WASHER	BRASS	GOLD	1	UNLESS OTHERWISE SPECIFIED TOLERANCES FOR INCHES ARE: .020 - .315 = ± 0.007" .315 - 1.180 = ± 0.015" 1.180 - 4.724 = ± 0.020"	CHECKED				
4	INSULATOR	TEFLON	NATURAL	1		ISSUED		REV. A		
3	CONTACT PIN	BER. COPPER	GOLD	1		SHEET 1 OF 1				
2	INSULATOR	TEFLON	NATURAL	1				SCALE NA		
1	BODY	BRASS	GOLD	1						
	DESCRIPTION	MATERIAL	FINISH	QTY	DO NOT SCALE DRAWING					