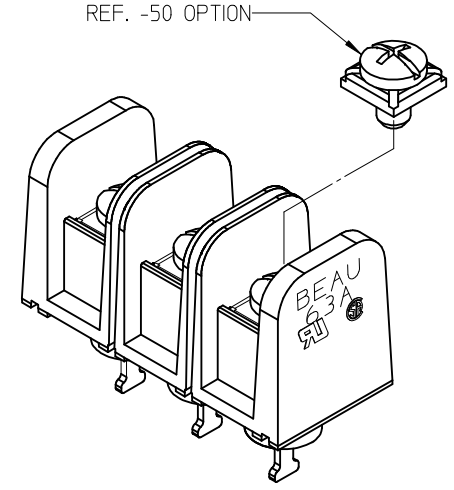
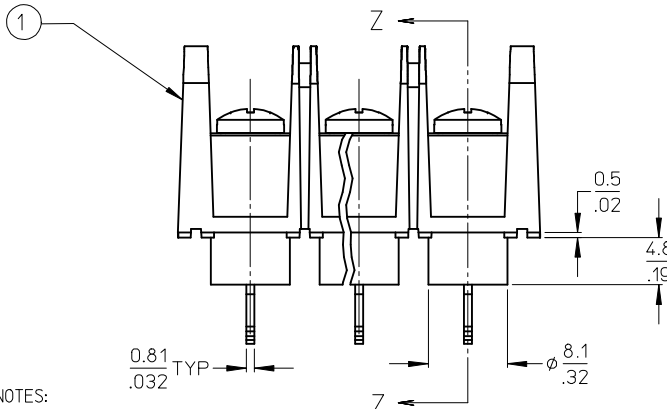


MATERIAL NUMBER (STD.)	MATERIAL NUMBER (-50)	NO. OF CIRCUITS	A	B
386303302	386303902	2	25.9 (1.02)	11.13 (.438)
386303303	386303903	3	37.1 (1.46)	22.22 (.875)
386303304	386303904	4	48.3 (1.90)	33.35 (1.313)
386303305	386303905	5	59.2 (2.33)	44.45 (1.750)
386303306	386303906	6	70.4 (2.77)	55.57 (2.188)
386303307	386303907	7	81.5 (3.21)	66.67 (2.625)
386303308	386303908	8	92.7 (3.65)	77.80 (3.063)
386303309	386303909	9	103.6 (4.08)	88.90 (3.500)
386303310	386303910	10	114.8 (4.52)	100.03 (3.938)
386303311	386303911	11	125.9 (4.96)	111.13 (4.375)
386303312	386303912	12	137.2 (5.40)	122.25 (4.813)
386303313	386303913	13	148.1 (5.83)	133.35 (5.250)
386303314	386303914	14	159.3 (6.27)	144.45 (5.687)
386303315	386303915	15	170.4 (6.71)	155.58 (6.125)
386303316	386303916	16	181.6 (7.15)	166.70 (6.563)



- NOTES:
1. MATERIAL: SEE TABLE
  2. FINISHES: SEE TABLE
  3. PRODUCT SPECIFICATION: NOT REQUIRED
  4. PACKAGING: NOT REQUIRED
  5. MATES WITH: NONE
  6. "XX" REFERS TO QTY. OF CIRCUITS
  7. ROHS COMPLIANT (B)

ITEM	QTY.	DESCRIPTION	MATERIAL	FINISH
4	XX	TERMINAL, SOLDER TAIL	BRASS	TIN PLATE
3	XX	SCREW/WSHR #6-32X.250 PAN, PH-SL (-50)	STEEL (B)	ZN, CLEAR CHROMATE
2	XX	SCREW #6-32X.250 BHD, PH-SL (STD.)	STEEL (B)	ZN, CLEAR CHROMATE
1	1	BARRIER TERMINAL STRIP	(B) POLYESTER (PBT)	BLACK

UPDATE MAT. DESCRIPT.  
 EC NO: WNA2009-0085  
 DRAWN: ENC INAS 2008/11/25  
 CHKD: CYORK 2008/12/15  
 APPR: JMACNEIL 2008/12/15

QUALITY SYMBOLS  
 ▽=0  
 ▽=0

	GENERAL TOLERANCES (UNLESS SPECIFIED)	
	mm	INCH
4 PLACES	± ---	± ---
3 PLACES	± ---	± .005
2 PLACES	± 0.13	± .01
1 PLACE	± 0.3	± ---
ANGULAR ± 2°		

DRAFT WHERE APPLICABLE MUST REMAIN WITHIN DIMENSIONS

DIMENSION STYLE  
**MM/IN**

SCALE  
**2:1**

DESIGN UNITS  
**INCH**

THIRD ANGLE PROJECTION

DRAWN BY  
 R. STONE

DATE  
 2003/03/25

CHECKED BY  
 R. KEMP

DATE  
 2003/03/26

APPROVED BY  
 P. WALTZ

DATE  
 2003/03/28

MATERIAL NO.  
**SEE CHART**

TITLE  
**11.13/.438" BTS 600V  
 SOLDER TAIL, NO MTG ENDS  
 (63A2XX-C)**

**MOLEX INCORPORATED**

DOCUMENT NO.  
**SD-38630-004**

SHEET NO.  
**1 OF 1**

THIS DRAWING CONTAINS INFORMATION THAT IS PROPRIETARY TO MOLEX INCORPORATED AND SHOULD NOT BE USED WITHOUT WRITTEN PERMISSION