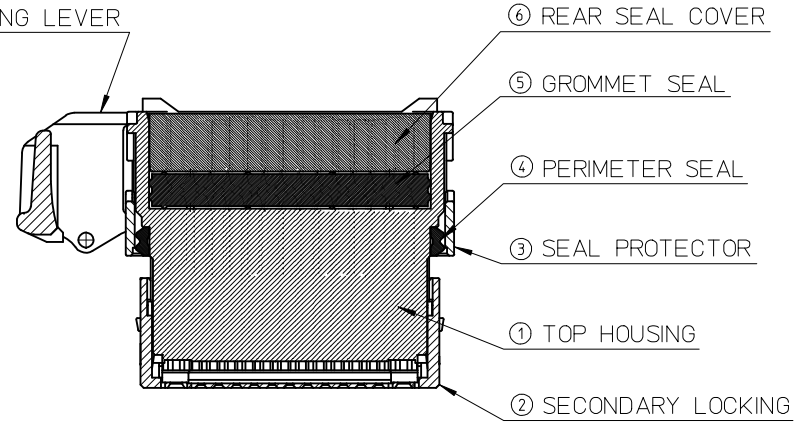
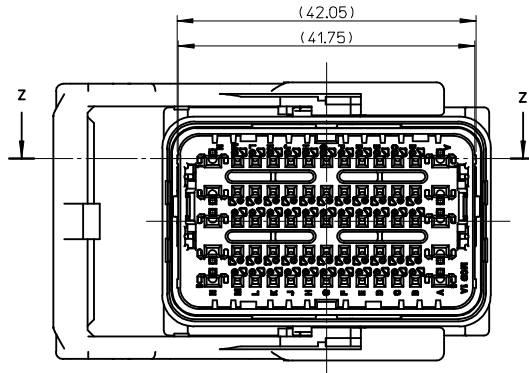


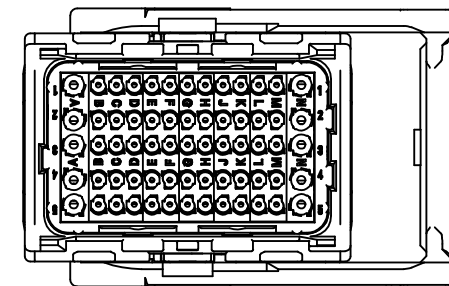
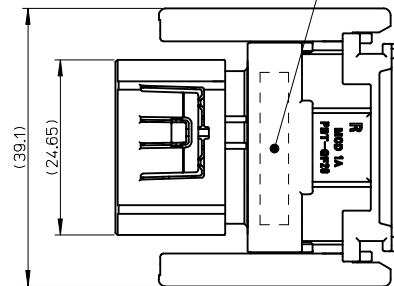
⑦ LOCKING LEVER



SECTION Z-Z



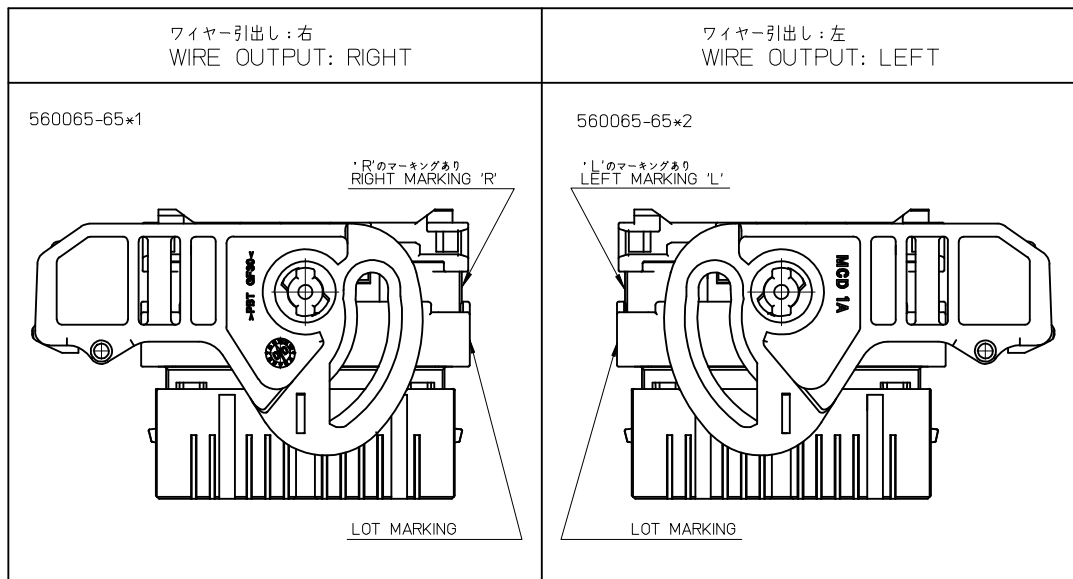
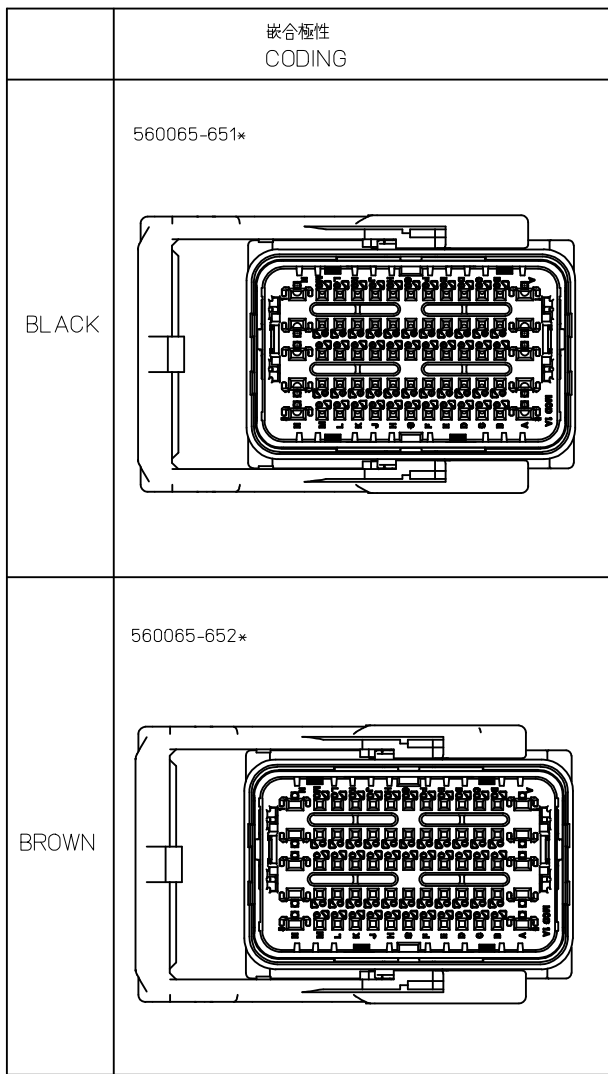
LOT MARKING : MATERIAL No. / DATE / SHIFT



① TOP HOUSING	PBT G.F.	BLACK
② SECONDARY LOCKING	PBT G.F.	BLACK / BROWN
③ SEAL PROTECTOR	PBT G.F.	BLACK
④ PERIMETER SEAL	SILICONE	BLUE
⑤ GROMMET SEAL	SILICONE	BLUE
⑥ REAR SEAL COVER	PBT G.F.	BLACK
⑦ LOCKING LEVER	PBT G.F.	DARK GRAY
部品名 PART NAME	材質 MATERIAL	色 COLOR

左 LEFT	560065-6522	BROWN	PRODUCTION
	560065-6512	BLACK	PRODUCTION
右 RIGHT	560065-6521	BROWN	PRODUCTION
	560065-6511	BLACK	PRODUCTION
ワイヤー引き出し方向(レバー方向) WIRE OUTPUT(LEVER DIRECTION)	型番 MATERIAL NO.	適合極性 CODING	PRODUCT STATUS

MIGRATED FROM SD-560065-002 EC NO: JTR2016-0044 DRW:K INOUE02 2015/11/11 CHK:D SANDO 2015/11/12 APPR:MAYAMOTO 2015/11/20	DESCRIPTION	GENERAL TOLERANCES (UNLESS SPECIFIED)		DIMENSION STYLE		SCALE		DESIGN UNITS		TITLE <b>CMX CONNECTOR 65WAY ASSY</b>  <b>molex</b> DOCUMENT NO. <b>RSD-560065-002</b> SHEET NO. 1 OF 2
				MM ONLY	2:1	METRIC	THIRD ANGLE PROJECTION			
		4 PLACES	± ---	± ---	DRAWN BY	DATE	TITLE			
		3 PLACES	± ---	± ---	SINAOKA	2011/03/07				
2 PLACES	± ---	± ---	CHECKED BY	DATE						
1 PLACE	± ---	± ---	SANDO	2011/03/09						
0 PLACE	±	±	APPROVED BY	DATE						
			MAYAMOTO	2015/11/20						
ANGULAR ± 1°		MATERIAL NO.		DOCUMENT NO.		SIZE		THIS DRAWING CONTAINS INFORMATION THAT IS PROPRIETARY TO MOLEX INCORPORATED AND SHOULD NOT BE USED WITHOUT WRITTEN PERMISSION		
DRAFT WHERE APPLICABLE MUST REMAIN WITHIN DIMENSIONS		SEE TABLE		RSD-560065-002		A2				



<適応端子と適応電線サイズ> <APPLICABLE TERMINAL AND WIRE SIZE>

回路 CIRCUIT	適応端子 APPLICABLE TERMINAL	品番 PART NO.	電線サイズ APPLICABLE WIRE SIZE	電線被覆外径 (mm) INSULATION DIAMETER
信号部	CTX64 TERMINAL	34803-3211	AVSS / CAVS 0.3sq	1.4 - 1.5
		34803-3212	AVSS / CAVS 0.5 - 0.85sq	1.6 - 1.9
電源部	CTX150 TERMINAL	34805-0111	AVSS / CAVS 0.5sq	1.6 - 1.9
		34805-0112	AVSS / CAVS 0.85 - 1.25sq	1.8 - 2.2
		34805-0113	AVSS / CAVS 1.25 - 2sq	2.1 - 2.7

注記 / NOTES

- 適応端子 / APPLICABLE TERMINAL  
信号部 / SIGNAL  
CTX64 TERMINAL 34803-3211, 34803-3212  
電源部 / POWER  
CTX150 TERMINAL 34805-0111, 34805-0112, 34805-0113
- 適応ワイヤーキャップ / APPLICABLE WIRE CAP : 502730-0001
- 取り扱い説明書 / APPLICATION SPECIFICATION: RAS-560065-001
- ELV及びRoHS適合品  
ELV AND RoHS COMPLIANT

MIGRATED FROM SD-560065-002	DESCRIPTION
EC NO: JTR2016-0044	
DRWN:KINUE02 2015/11/11	
CHKD:SANDO 2015/11/12	
APPR:MAYAMOTO 2015/11/20	
REV	

GENERAL TOLERANCES (UNLESS SPECIFIED)	
	mm INCH
4 PLACES	± 0.15 ± 0.006
3 PLACES	± 0.20 ± 0.008
2 PLACES	± 0.30 ± 0.012
1 PLACE	± 0.40 ± 0.016
0 PLACE	± 0.50 ± 0.020
ANGULAR ± 1°	
DRAFT WHERE APPLICABLE MUST REMAIN WITHIN DIMENSIONS	

DIMENSION STYLE		SCALE	DESIGN UNITS	THIRD ANGLE PROJECTION
MM ONLY		2:1	METRIC	<input checked="" type="checkbox"/> <input type="checkbox"/>
DRAWN BY	DATE	TITLE		
SINAOKA	2011/03/07	CMX CONNECTOR 65WAY ASSY		
CHECKED BY	DATE	molex		
SANDO	2011/03/09	RSD-560065-002		
APPROVED BY	DATE	SHEET NO. 2 OF 2		
MAYAMOTO	2015/11/20	THIS DRAWING CONTAINS INFORMATION THAT IS PROPRIETARY TO MOLEX INCORPORATED AND SHOULD NOT BE USED WITHOUT WRITTEN PERMISSION		
MATERIAL NO.	DOCUMENT NO.			
SEE TABLE				

CONFIDENTIAL