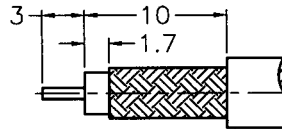


REVISIONS

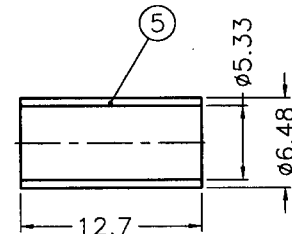
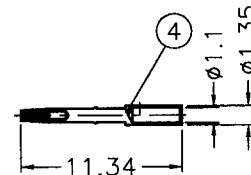
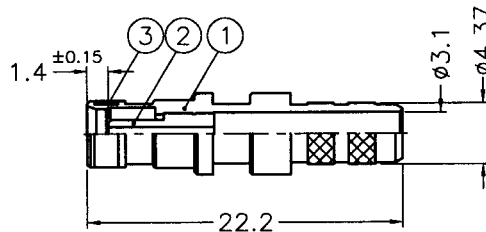
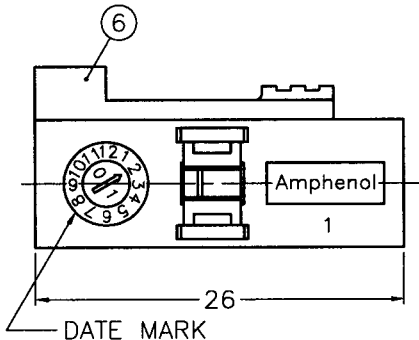
ISS	ZONE	DESCRIPTION\PER REQUEST\DATE
A1	F-2	CANCEL REMARK\N/A\12-27-01'
	B-6	ADDED KEY CODING\N/A\12-27-01'
B	B-8	NO.6 WAS CHANGED\RD-DM91042901L\05-23-02'
C	B-8	NO.6 WAS CHANGED\RD-DM91060601L\06-06-02'
D	B-8	NO.6 WAS CHANGED\RD-DM91091701L\11-12-02'
D1	B-8	CANCELLED L AND M KEY CODING\N/A\02-13-03'

CONFIGURATION CONTROL;
NO CHANGES PERMITTED TO DRAWING WITHOUT
PPAP QUALIFIED CUSTOMER APPROVAL



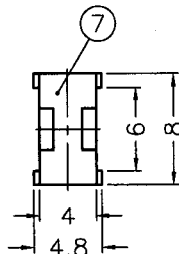
1. CRIMPED FERRULE
HEX CRIMP SIZE .213"
2. CRIMPED CONTACT PIN AFM8
ADJUST TO 6 OR 7
POSITIONER K1470

RECOMMENDED
CABLE STRIPPING DIM'S



NOTES: FINISH (PLATING THICKNESS IN MICRO-INCHES)

1. BRASS PER QQ-B-626, ALLOY 360, 1/2 H
; JIS H3250 C 3604BD OR EQUIVALENT
2. NICKEL PL. 60 MIN. THICK OVER OPTIONAL COPPER STRIKE
3. BERYLLIUM COPPER PER QQ-C-530, ALLOY 173, 1/2 H
; FUJII FX301 OR EQUIVALENT
4. GOLD PL. 30 MIN. THICK OVER NICKEL PL. 100 MIN. THICK
OVER OPTIONAL COPPER STRIKE
5. TEFLON MIL-P-19468 OR EQUIVALENT
6. BERYLLIUM COPPER JIS C1720R-1/4H OR EQUIVALENT
7. COPPER PER ASTM B-75 ALLOY C12200 OR EQUIVALENT
8. NYLOY66(WITH 33% GLASS FIBER) PER NYTEX COMPOSITES CO., LTD.
GRADE MG-0033N-V0 OR EQUIVALENT
9. PBT(WITH 15% GLASS FIBER) PER CHANG CHUN GRADE 4115202
OR EQUIVALENT



TABLE

KEY CODING	PART NO.	DRAWING NO.	ITEM NO.	LOCK COVER
A	FA1-NASJ-C04-0	FK6121AW-008-NT30G-50	FK6121AAAS7NC5F	FKLC30101D
B	FA1-NBSJ-C04-0	FK6121BW-008-NT30G-50	FK6121AAB57NC5F	FKLC30102D
C	FA1-NCSJ-C04-0	FK6121CW-008-NT30G-50	FK6121AAC57NC5F	FKLC30103D
D	FA1-NDSJ-C04-0	FK6121DW-008-NT30G-50	FK6121AAD57NC5F	FKLC30104D
E	FA1-NESJ-C04-0	FK6121EW-008-NT30G-50	FK6121AAE57NC5F	FKLC30105D
F	FA1-NFSJ-C04-0	FK6121FW-008-NT30G-50	FK6121AAF57NC5F	FKLC30106D
G	FA1-NGSJ-C04-0	FK6121GW-008-NT30G-50	FK6121AAG57NC5F	FKLC30107D
H	FA1-NHSJ-C04-0	FK6121HW-008-NT30G-50	FK6121AAH57NC5F	FKLC30108D
I	FA1-NISJ-C04-0	FK6121IW-008-NT30G-50	FK6121AAI57NC5F	FKLC30109D
K	FA1-NKSJ-C04-0	FK6121KW-008-NT30G-50	FK6121AAK57NC5F	FKLC30110D
Z	FA1-NZSJ-C04-0	FK6121ZW-008-NT30G-50	FK6121AAZ57NC5F	FKLC30111D

NO.	DESCRIPTION	MATERIAL	FINISH	Q'TY	DRAWING NO.
7	LOCK COVER	NOTE 9	NATURAL	1	FKLC00001A
6	LOCK COVER	NOTE 8		1	SEE TABLE
5	FERRULE	NOTE 7	NOTE 2	1	FKFR00201A
4	CONTACT PIN	NOTE 3	NOTE 4	1	FKCP00401A
3	RETAINER RING	NOTE 6	NATURAL	1	FKRR00101A
2	INSULATOR	NOTE 5	NATURAL	1	FKNS00501A
1	BODY	NOTE 1	NOTE 2	1	FKBD00501A

DIMENSIONS ARE IN MILLIMETERS				PART NO.
UNLESS OTHERWISE SPECIFIED TOLERANCES				FA1-NXSJ-C04-0
0.5-6	=	±0.2	APPROVED	DATE
6-30	=	±0.4	MARK CHU	05-02-03'
30-120	=	±0.6	CHECKED	DATE
120-315	=	±1	COASE WANG	05-02-03'
315-1000	=	±1.6	DRAWN	DATE
1000-2000	=	±2.4	LILY CHIU	05-02-03'
SCALE	2/1	ISSUE	D1	FILE NO. F:\DWG\FK\6121XX\008\50\NT30G-D1-PPAP

Amphenol	
Danbury,CT,USA-Tainan,Taiwan-Shenzhen,China	
TITLE	FAKRA SMB CRIMP JACK (FOR RG-58A/U, 58C/U CABLE)
DRAWING NO.	FK6121XX-008-NT30G-50
ITEM NO.	FK6121AAX57NC5F