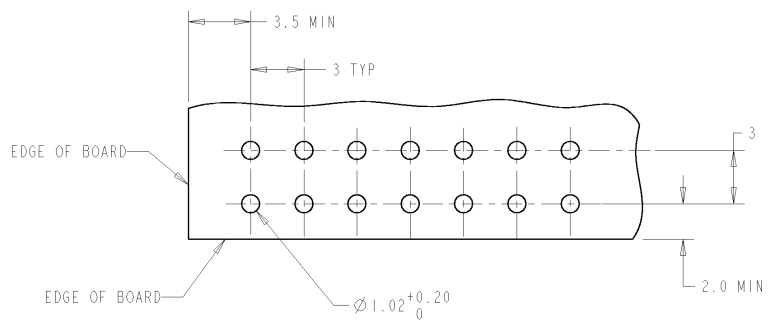
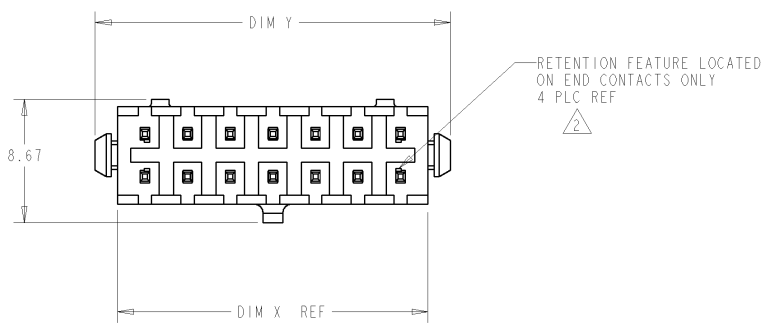
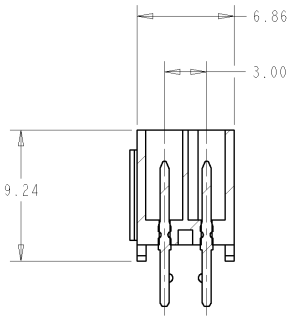
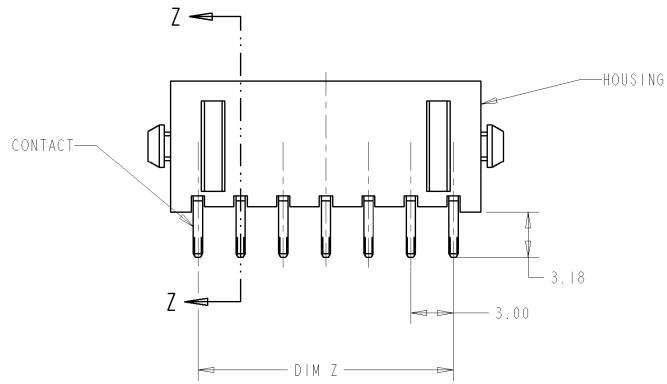
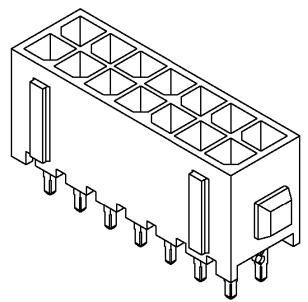


THIS DRAWING IS UNPUBLISHED. RELEASED FOR PUBLICATION
 © COPYRIGHT 19 BY TYCO ELECTRONICS CORPORATION. ALL RIGHTS RESERVED.

LOC	DIST	REVISIONS					
CM	00	P	LTN	DESCRIPTION	DATE	DNW	APVD
		D		REVISED PER 063B-0520-03	25-JUN-03	RW	CJ



- 1 MATERIAL: HOUSING - NYLON, UL 94V-0, BLACK.
CONTACT - BRASS.
0.00254 MINIMUM TIN LEAD OVER
0.00127 MINIMUM NICKEL ALL OVER.
- 2 MAXIMUM INSERTION 20 LBS.
- 3 RECOMMENDED BOARD THICKNESS 1.57.
- 4 MATERIAL: HOUSING - NYLON, UL 94V-0, BLACK.
CONTACT - BRASS.
0.00254 MINIMUM TIN OVER
0.00127 MINIMUM NICKEL ALL OVER.



RECOMMENDED MOUNTING HOLE PATTERN
SCALE 5:1



4	19.00	12.00	15.86	10	4-794630-0
1	40.00	33.00	36.86	24	2-794630-4
	37.00	30.00	33.86	22	2-794630-2
	34.00	27.00	30.86	20	2-794630-0
	31.00	24.00	27.86	18	1-794630-8
	28.00	21.00	24.86	16	1-794630-6
	25.00	18.00	21.86	14	1-794630-4
	22.00	15.00	18.86	12	1-794630-2
	19.00	12.00	15.86	10	1-794630-0
	16.00	9.00	12.86	8	794630-8
	13.00	6.00	9.86	6	794630-6
	10.00	3.00	6.86	4	794630-4
	7.00	-	3.86	2	794630-2
FINISH	DIM Y	DIM Z	DIM X	NO. OF POSN.	PART NUMBER

THIS DRAWING IS A CONTROLLED DOCUMENT FOR TYCO ELECTRONICS CORPORATION. IT IS SUBJECT TO CHANGE AND THE CONTROLLING INSTRUMENTS AND DRAWINGS SHOULD BE CONTACTED FOR THE LATEST REVISIONS AND DATES.

DIMENSIONS: mm (INCHES)	TOLERANCES UNLESS OTHERWISE SPECIFIED:	DWN B. HAYMAKER 16AUG99	AMP Incorporated Harrisburg, PA 17105-3608
0 PLC ±	1 PLC ±	CHR K. COBLE 16AUG99	NAME AMP
2 PLC ±	3 PLC ±	APVD K. COBLE 16AUG99	
4 PLC ±	ANGLES ±	PRODUCT SPEC	VERTICAL HEADER ASSEMBLY, THRU HOLE, TIN, DUAL ROW, MICRO MATE-N-LOK™
MATERIAL	FINISH	APPLICATION SPEC	SIZE CAGE CODE DRAWING NO
	SEE TABLE	WEIGHT	A2 00779 C-794630
CUSTOMER DRAWING			RESTRICTED TO
SCALE 4:1			SHEET 1 OF 1 REV D