

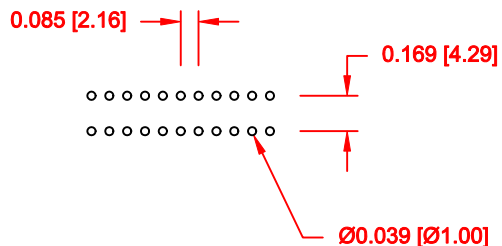
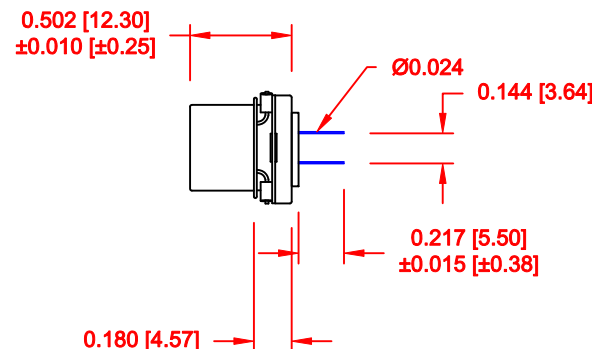
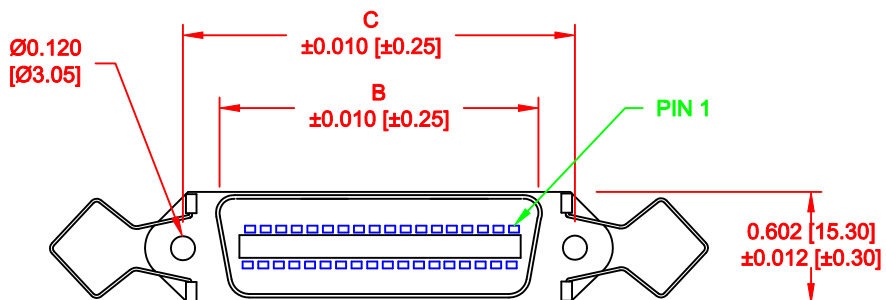
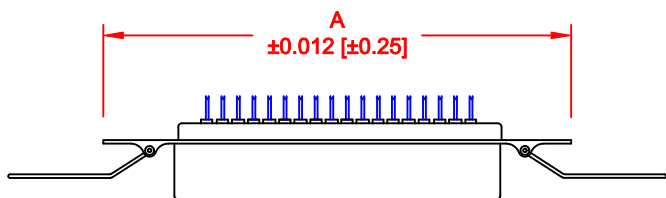
	014	024	036	050
A	1.728	2.154	2.667	3.264
	43.90	54.70	67.75	82.90
B	0.992	1.417	1.925	2.624
	25.20	36.00	48.90	64.10
C	1.417	1.843	2.352	2.947
	36.00	46.80	59.74	74.85

MATERIAL:

INSULATION: GLASS- FILLED THERMOPLASTIC
UL RATED 94V-0, 230°C PROCESS TEMP.
CONTACTS: COPPER ALLOY
SHELL: STEEL, NICKEL PLATED

ELECTRICAL:

CURRENT RATING: 1 AMP
VOLTAGE RATING: 1,000V AC r.m.s.
INSULATION RESISTANCE: 1,000MegOhms Min. @ 500VDC
CONTACT RESISTANCE: 30MilliOhms Max.
OPERATING TEMPERATURE: -55°C TO +125°C




111-YYY-2 1 3 L 00 1

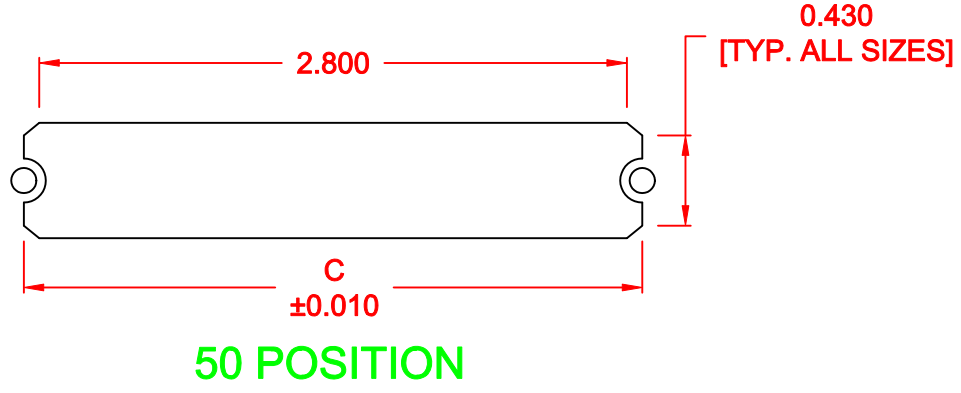
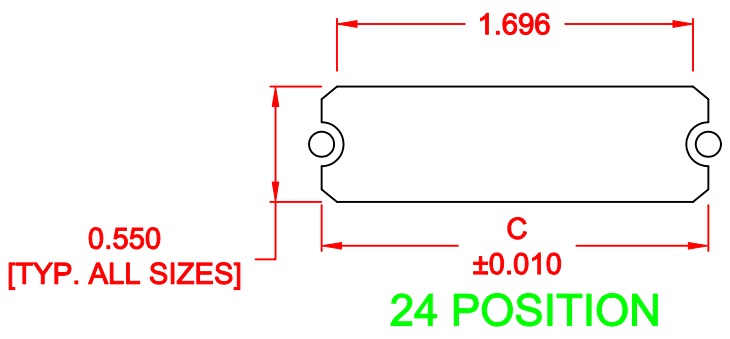
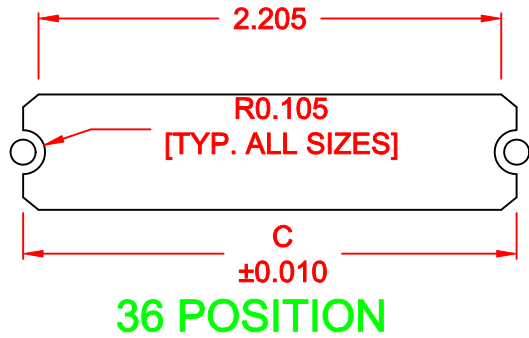
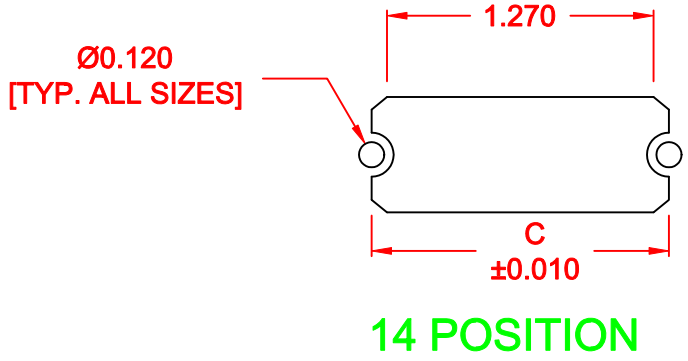
SERIES 111-YYY-2
POSITIONS 1 3 L 00 1
014
024
036
050
GENDER 2 = FEMALE
TERMINATION 1 = DIP SOLDER
RoHS COMPLIANT L = LOW TEMP. PROCESS
SHELL PLATING 3 = NICKEL
HARDWARE 00 = NO HARDWARE
PLATING 1 = GOLD FLASH

DO NOT SCALE FROM DRAWING

RoHS COMPLIANT

	THESE DRAWINGS AND SPECIFICATIONS ARE THE PROPERTY OF NorComp AND SHALL NOT BE REPRODUCED, COPIED OR USED AS THE BASIS FOR THE MANUFACTURE OF SALE OF APPARATUS WITHOUT WRITTEN PERMISSION.	DRAWN: WAYNE ROBBINS DATE: 09-15-05	
		CHECKED: _____ DATE: _____	
<h1>NorComp</h1>	SCALE: NONE	SHEET 1 OF 2	REV 7
	DWG NO. 111-YYY-213L001		

	014	024	036	050
C	1.417	1.843	2.352	2.947
	36.00	46.80	59.74	74.85



*****NOTE***** DIMENSION "C" =
 CENTER TO CENTER OF MOUNTING HOLES
 CENTER OF RADI
 OVERALL LENGTH OF CUTOUT

RoHS COMPLIANT

DO NOT SCALE FROM DRAWING

	THESE DRAWINGS AND SPECIFICATIONS ARE THE PROPERTY OF NorComp AND SHALL NOT BE REPRODUCED, COPIED OR USED AS THE BASIS FOR THE MANUFACTURE OR SALE OF APPARATUS WITHOUT WRITTEN PERMISSION.		DRAWN: M. SIGMON	DATE: 01-14-11
				CHECKED:
NorComp		SCALE: NONE	SHEET 2 OF 2	REV 7
		DWG NO. 111-YYY-213L001		