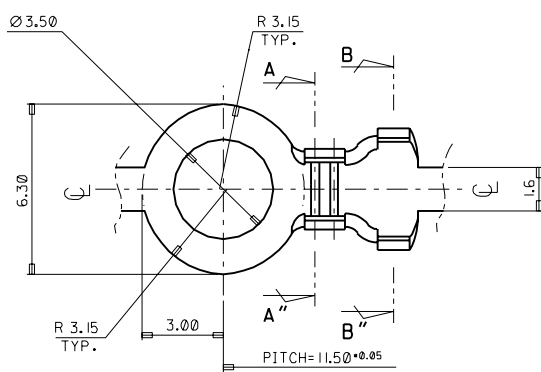
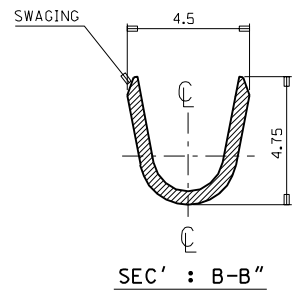
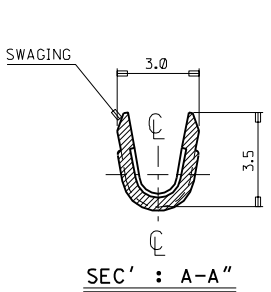
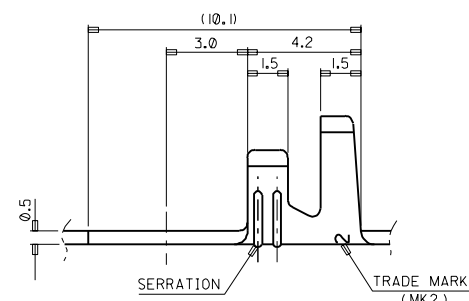


ENG. NO. SD 35750-04\*0  
 EDP NO.  
 SIMILAR ITEM  
 PROJECT NO. Ø 3.0 RING TM'L  
 DO NOT SCALE DRAWING  
 DIMENSION IN METRIC



- NOTES
1. MATERIAL : BRASS , 0.5mm THICKNESS
  2. FINISH : 35750-0400 : UNPLATED  
35750-0410 : POST PLATED TIN  
35750-0440 : POST PLATED TIN-LEAD
  3. RECOMMENDED LENGTH OF WIRE STRIP IS 2.6-3.2mm.



ASS'Y PART		QTY/REEL OR PACK	SURFACE AREA	MATERIAL	SEE NOTES	WIRE RANGE	GENERAL TOLERANCES	MOLEX-KOREA CO.,LTD.	
DESCRIPTION	ENG.NO.	10,000 Q'TY /REEL	MM <sup>2</sup>	DIMENSION CLASSIFICATION		#20-#16 MM <sup>2</sup> : 0.53-1.38	DIM. : ±0.30 ANGLE : ±0.20		
REVISED	93-022			■ : CRITICAL	☒ : MAJOR			REVISE ONLY ON CAD SYSTEM TITLE: Ø 3.0 RING TM'L (198) 1 of 1	
CAD REDRAWING	93-018			□ : MINOR	( ) : REFERENCE	INSULATION RANGE			
REVISION RECORD	93-016			WIRE CRIMP WIDTH	DRAWN BY S.K.KANG	INSULATION RANGE		ENG.NO. SD 35750-04*0	
	DR./CHK	DATE	DIE FEED	APPL FEED	WBDW	IBDW	APP'D BY	SCALE 8/1	REV C