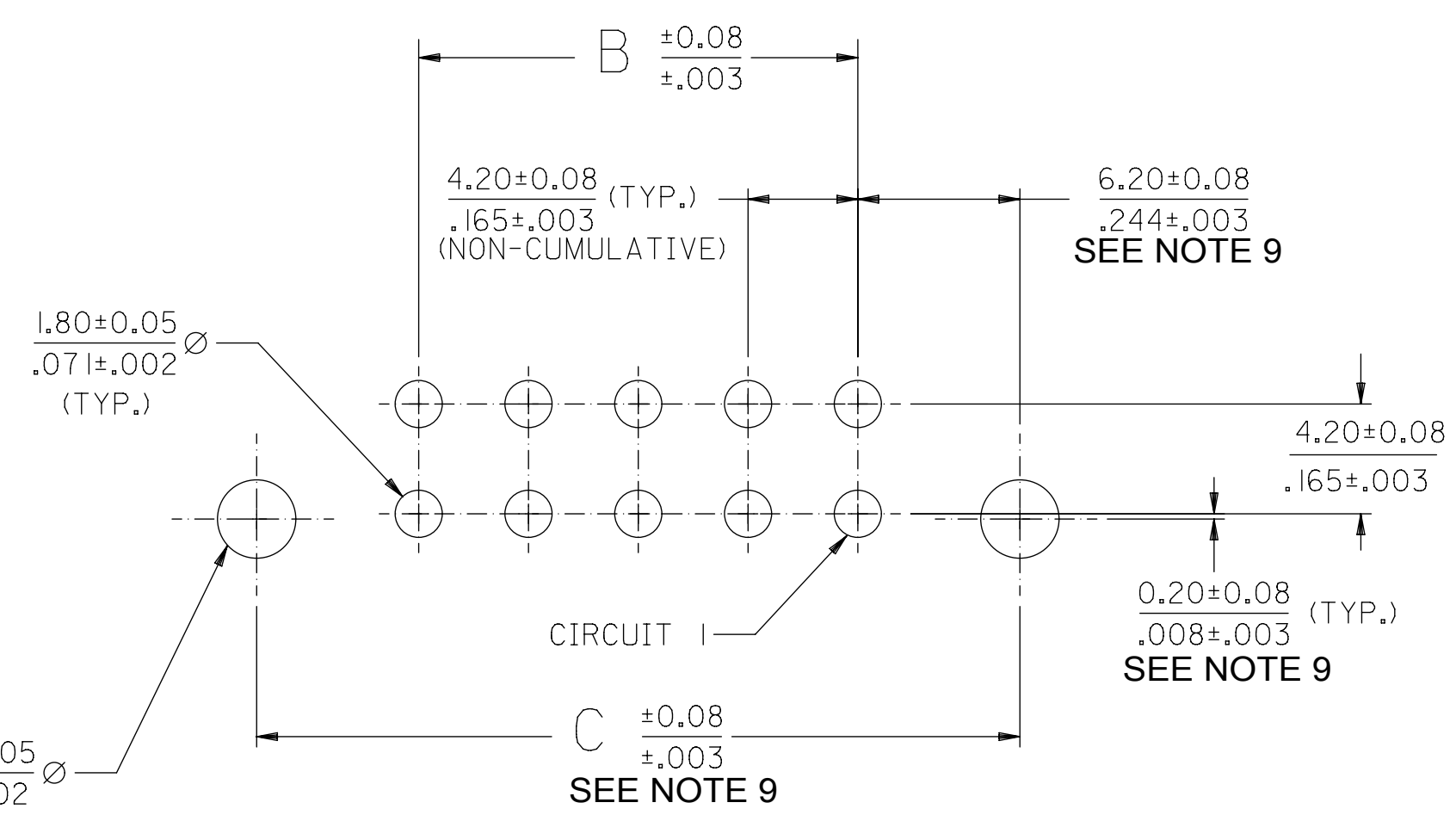
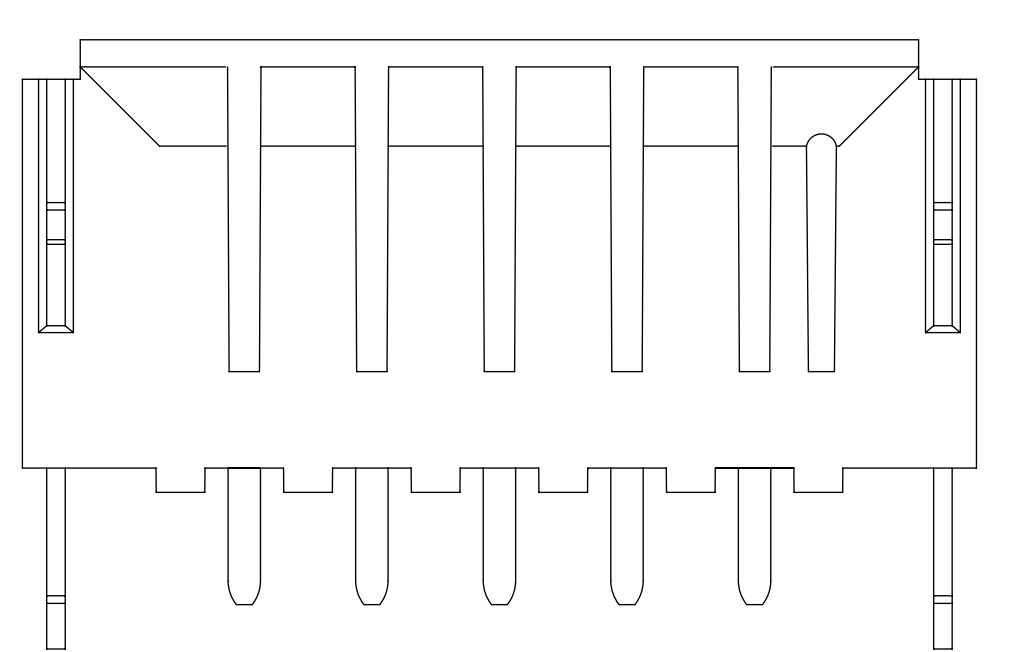
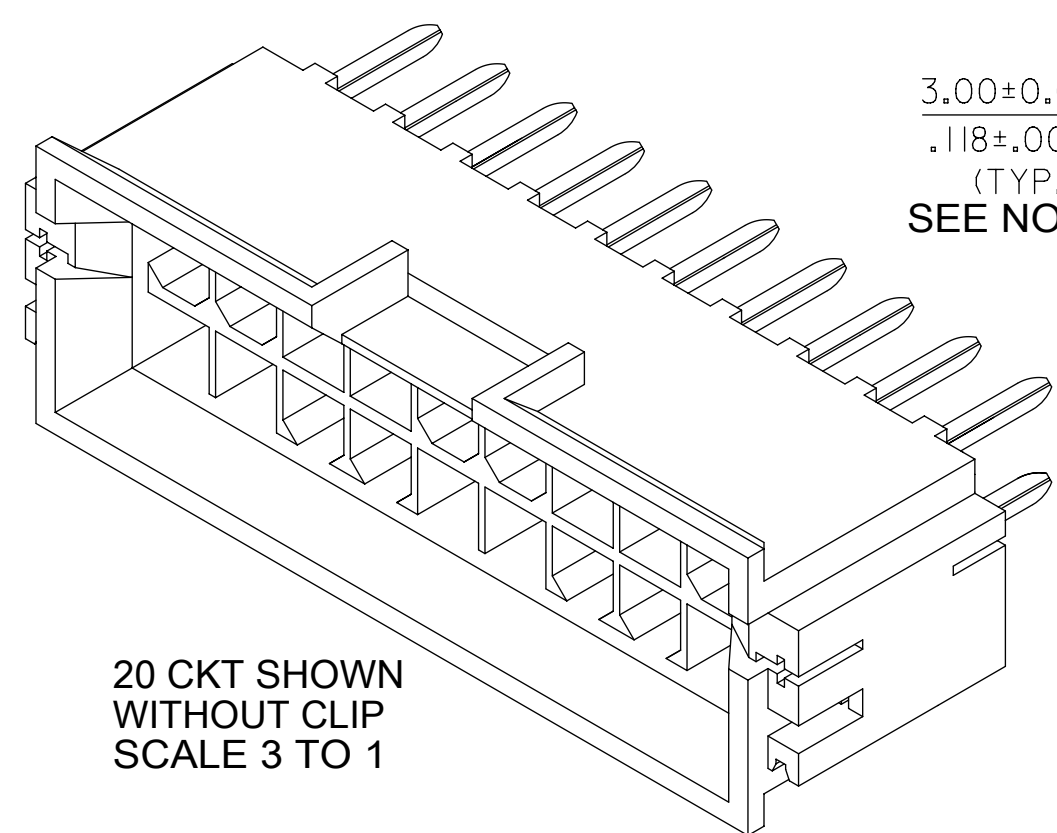


- NOTES:
- MATERIALS:  
HOUSING: PA46 FILLED COLOR: BLACK, UL94V-0  
TERMINAL: BRASS  
BOARD RETENTION CLIP: BRASS
  - FINISHES:  
B = 0.00076/(.000030) MIN. SELECT GOLD AND 0.00254/(.000100) MIN. SELECT MATTE TIN OVER 0.00127/(.000050) MIN. NICKEL OVERALL  
C = 0.00254/(.000100) MIN. MATTE TIN OVER NICKEL
  - PRODUCT SPECIFICATIONS: PS-43810-001
  - PACKAGING SPECIFICATION: PK-43879-001
  - PART MATES WITH MOLEX RECEPTACLE #5557 AND #42474 AND #44516 AND #42385 HEADER.
  - PART ALLOWS FOR 1.27/.050 MAX. MIS-ALIGNMENT WITH MATING HOUSINGS IN ANY DIRECTION.
  - CONNECTOR ASSEMBLIES ARE NOT TO BE MATED AND UNMATED WHILE CIRCUITS ARE LIVE.
  - MAKE FIRST BREAK LAST PINS SHOWN. FOR THIS PART WITH STANDARD MATING LENGTH SEE DRAWING # SD-44068-031
  - THIS DIMENSION DOES NOT APPLY TO PARTS WITHOUT P.C. BOARD RETENTION CLIPS.
  - THIS PART CONFORMS TO CLASS B REQUIREMENTS OF COSMETIC SPECIFICATION PS-45499-002.
  - DISCOLORATION IN THE BANDOLIER CARRIER AREA OF THE PIN IS INHERENT TO THE PLATING PROCESS AND IS DUE TO THE MASKING EFFECT OF THE CARRIER. THIS DISCOLORATION IS IN A NON-FUNCTIONAL AREA OF THE PIN AND WILL NOT AFFECT THE PERFORMANCE OF THE HEADER ASSEMBLY.



PCB LAYOUT: COMPONENT SIDE  
RECOMMENDED PCB THICKNESS: SEE CHART



20 CKT SHOWN WITHOUT CLIP SCALE 3 TO 1

CKTS	DIM. "A"	DIM. "B"	DIM. "C"
4	18.81 ±.740	4.20 ±.165	16.60 ±.653
6	23.01 ±.906	8.40 ±.331	20.80 ±.819
8	27.21 ±1.071	12.60 ±.496	25.00 ±.984
10	31.41 ±1.237	16.80 ±.661	29.20 ±1.150
12	35.61 ±1.402	21.00 ±.828	33.40 ±1.315
14	39.81 ±1.567	25.20 ±.992	37.60 ±1.480
16	44.01 ±1.733	29.40 ±1.157	41.80 ±1.646
18	48.21 ±1.898	33.60 ±1.323	46.00 ±1.811
20	52.41 ±2.063	37.80 ±1.488	50.20 ±1.976
22	56.61 ±2.229	42.00 ±1.654	54.40 ±2.142
24	60.81 ±2.394	46.20 ±1.819	58.60 ±2.307

THIS DRAWING CONTAINS INFORMATION THAT IS PROPRIETARY TO MOLEX ELECTRONIC TECHNOLOGIES, LLC AND SHOULD NOT BE USED WITHOUT WRITTEN PERMISSION

ADD 44068-1017 EC NO: 103192 DRWN: PKH CHKD: JBELL REV   APPR: FSMITH	GENERAL TOLERANCES (UNLESS SPECIFIED)		DIMENSION UNITS	SCALE
	MM	INCH	MM/IN	4:1
	4 PLACES ±	±	DRWN BY	DATE
	3 PLACES ±	± .010	MANAPALZ	12/04/97
2 PLACES ±	± 0.25 ± .014	CHK'D BY	DATE	
1 PLACES ±	± 0.35 ±	BANDURA	12/06/97	
0 PLACES ±	±	APPR BY	DATE	
		FSMITH	2011/06/07	
	ANGULAR TOL = 1/2	DRAWING SIZE	THIRD ANGLE PROJECTION	
	DRAFT WHERE APPLICABLE MUST REMAIN WITHIN DIMENSIONS	C		

**molex**

MINI-FIT JR BMI VERTICAL HEADER ASSY  
MAKE-FIRST/BREAK-LAST

PRODUCT CUSTOMER DRAWING

SERIES	MATERIAL NUMBER	CUSTOMER
44068	SEE SHEET 2	GENERAL MARKET

DOCUMENT NUMBER	DOC TYPE	DOC PART	SHEET NUMBER
SD-44068-051	PSD	000	1 OF 2

ITEMS PRECEDED BY "X" ARE NOT AVAILABLE

"X"	ITEM NO.	CHARACTERISTIC DESCRIPTION	CKT. SIZE	TERMINAL VERSION REQUIRED AT EACH CIRCUIT LOCATION: "S" = STD. LENGTH "M" = MAKE-FIRST/BREAK-LAST "V" = VOIDED CIRCUIT																								DIM "D" REF.	DIM "E"	P.C. BOARD THICKNESS
				1	2	3	4	5	6	7	8	9	10	11	12	13	14	15	16	17	18	19	20	21	22	23	24			
	44068-0241	10BB	10	BM	BS	BS	BS	BS	BS	BS	BS	BS	BM	-	-	-	-	-	-	-	-	-	-	-	-	-	5.21 (.205)	N / A	N / A	
	44068-0242	18BC	18	CS	CS	CM	CS	CS	CS	CM	CS	CS	CS	CS	CM	CS	CS	CS	CM	CS	CS	-	-	-	-	-	5.70 (.224)	3.39 .133	3.18±0.18 (.125±.007)	
	44068-1003	18BB	18	BM	BS	BS	BS	BS	BS	BS	BS	BM	BM	BS	BS	BS	BS	BS	BS	BS	BM	-	-	-	-	-	3.30 (.130)	1.79 .070	1.60±0.18 (.063±.007)	
	44068-1004	14BB	14	BM	BS	BS	BS	BS	BS	BM	BM	BS	BS	BS	BS	BM	-	-	-	-	-	-	-	-	-	3.30 (.130)	1.79 .070	1.60±0.18 (.063±.007)		
	44068-1006	24BB	24	BM	BS	BM	BM	BM	BM	BM	BM	BM	BM	BM	BS	BM	BS	BM	BM	BM	BM	BM	BM	BM	BM	BS	4.50 (.177)	2.60 .102	2.39±0.18 (.094±.007)	
	44068-1010	10BC	10	CM	CM	CS	CM	CM	CM	CM	CS	CM	CM	-	-	-	-	-	-	-	-	-	-	-	-	3.30 (.130)	1.79 .070	1.60±0.18 (.063±.007)		
	44068-1011	18BC	18	CM	CM	CM	CM	CM	CM	CS	CM	CM	CM	CM	CM	CM	CS	CM	CM	CM	CM	-	-	-	-	-	3.30 (.130)	1.79 .070	1.60±0.18 (.063±.007)	
	44068-1012	18BC	18	CM	CM	V	CM	CM	V	CS	V	CM	CM	CM	V	CM	CM	V	CS	V	CM	-	-	-	-	-	3.30 (.130)	1.79 .070	1.60±0.18 (.063±.007)	
	44068-1013	10BB	10	BM	BM	BS	BM	BM	BM	BM	BS	BM	BM	-	-	-	-	-	-	-	-	-	-	-	-	3.30 (.130)	1.79 .070	1.60±0.18 (.063±.007)		
	44068-1014	18BB	18	BM	BM	BM	BM	BM	BM	BS	BM	BM	BM	BM	BM	BM	BS	BM	BM	BM	BM	-	-	-	-	-	3.30 (.130)	1.79 .070	1.60±0.18 (.063±.007)	
	44068-1015	18BC	18	CS	CS	CS	CS	CS	CS	CS	CS	CS	CS	CS	CS	CS	CS	CS	CS	CS	CS	-	-	-	-	-	3.30 (.130)	N/A	1.60±0.18 (.063±.007)	
	44068-1016	04BC	04	CS	CS	CS	CS	-	-	-	-	-	-	-	-	-	-	-	-	-	-	-	-	-	-	3.30 (.130)	N/A	1.60±0.18 (.063±.007)		
	44068-1017	10BB	10	BM	BM	BM	BM	BM	BM	BM	BS	BM	BM	-	-	-	-	-	-	-	-	-	-	-	-	4.50 (.177)	2.60 .102	2.39±0.18 (.094±.007)		

CHARACTERISTICS LEGEND:

CIRCUIT SIZE \_\_\_\_\_ **\*\* \* \***  
 (02-24)


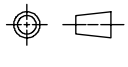
HOUSING MAT'L. (SEE NOTE 1) \_\_\_\_\_ **\* \***

"B" = NYLON 4/6, U.L. 94V-0,  
 COLOR: NATURAL (BLACK)

TERMINAL PLATING (SEE NOTE 2) \_\_\_\_\_ **\* \***

"B" = **SELECT GOLD**  
 "C" = **MATTE TIN**

THIS DRAWING CONTAINS INFORMATION THAT IS PROPRIETARY TO MOLEX ELECTRONIC TECHNOLOGIES, LLC AND SHOULD NOT BE USED WITHOUT WRITTEN PERMISSION

ADD 44068-1017 EC NO: 103192 DRWN: PKH CHKD: JBELL REV   APPR: FSMITH	GENERAL TOLERANCES (UNLESS SPECIFIED)		DIMENSION UNITS		SCALE		
		MM	INCH	MM/IN	1:1		
	4 PLACES	±	±	MANAPALZ	12/04/97		MINI-FIT JR BMI VERTICAL HEADER ASSY MAKE-FIRST/BREAK-LAST
	3 PLACES	±	± .010	CHK'D BY	DATE		
	2 PLACES	± 0.25	± .014	BANDURA	12/06/97		
	1 PLACES	± 0.35	±	APPR BY	DATE		PRODUCT CUSTOMER DRAWING
0 PLACES	±	±	FSMITH	2011/06/07			
ANGULAR TOL = 1/2			DRAWING SIZE	THIRD ANGLE PROJECTION		SERIES: 44068 MATERIAL NUMBER: SEE SHEET 2 CUSTOMER: GENERAL MARKET	
DRAFT WHERE APPLICABLE MUST REMAIN WITHIN DIMENSIONS			<b>C</b>			DOCUMENT NUMBER: SD-44068-051 DOC TYPE: PSD DOC PART: 000 SHEET NUMBER: 2 OF 2	