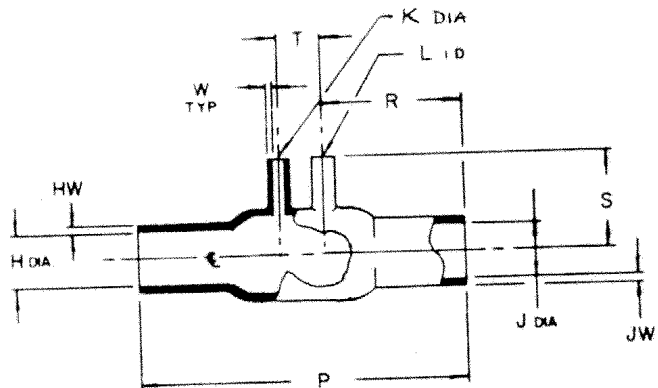


REVISIONS		
LTR	DESCRIPTION	DATE



PART AFTER UNRESTRICTED RECOVERY

NOTES:

- All dimensions are in inches.
- Dimensions appearing in table are as follows:
 - a - As supplied
 - b - After unrestricted recovery

TABLE OF DIMENSIONS:

H & J		K & L		P	R	S	T	HW & JW	W
Min	Max	Min	Max	±10%	±10%	±10%	±10%	±20%	±20%
a	b	a	b	b	b	b	b	b	b
1.00	.60	.50	.20	3.62	1.56	1.06	.50	.08	.05

ORDERING INFORMATION:

Base part number 422A813 -25 -02

Material dash number _____

-4 Polyolefin, flexible (RT-1304)

-5 Neoprene (RT-501)

-25 Elastomer, fluid resistant (RT-1325)

Modification dash number _____

If this document is printed it becomes uncontrolled.
Check for the latest revision.

SPECIFICATION CONTROL DRAWING (LIMITED DISTRIBUTION)

DRAWN	Rev 5-4-81	Raychem		RAYCHEM CORPORATION 300 CONSTITUTION DRIVE MENLO PARK, CALIFORNIA 94025	
CHECKED	NT 5-4-81				
DSGN APPD	197 5-4-81	TITLE		TRANSITION, TWO 90° SIDE BREAKOUTS	
MFG APPD	197 5/6/81	CODE IDENT.		DWG. NO.	
OC APPD	11/2/81 5-4-81	NO. 08080		422A813-X-02	
MKTG APPD	11/2/81 5-4-81	SHEET 1 OF 1			
TECH. SERV.	11/2/81 5-4-81				