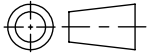
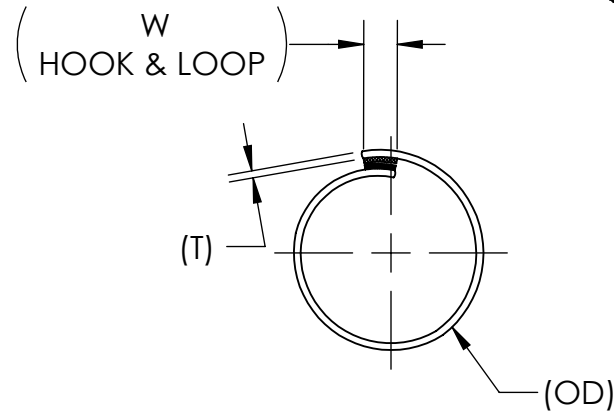
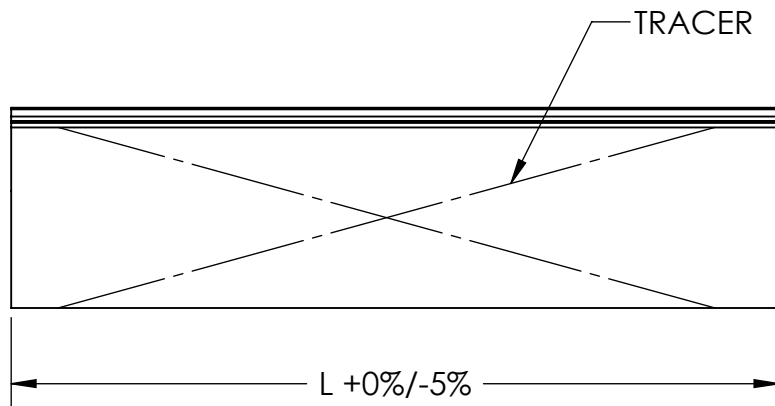
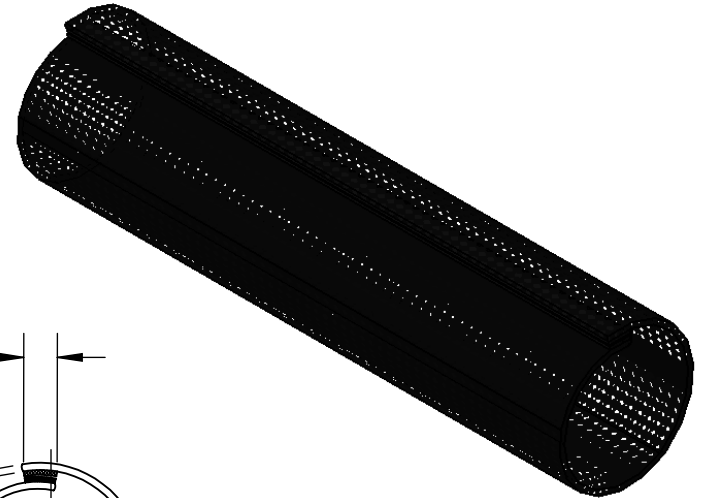


SW2010



Revision level		Revision Record	Changed	Date	Approved	Date
Drawing	Part					
00	-	SEE ECN# 011861	AAC	01/26/2012	KAC	02/07/2012



NOMINAL SIZE	TYPE	(OD)	(W) HOOK AND LOOP	(T)	L (FT)
1/2	BSHKLPFR12	.500	.25	.025	100
3/4	BSHKLPFR34	.750	.63	.025	100
1 1/4	BSHKLPFR114	1.25	.63	.025	100
2	BSHKLPFR20	2.00	.63	.025	100
2 1/2	BSHKLPFR212	2.50	.63	.025	100

Material
PET FLAME RETARDANT

Units inches
Dimension without tolerances details to:
.xxxx = ±.0005
.xxx = ±.005
.xx = ±.01
.x = ±.03
None = ±.06
∠ = ±0.5°

The copyright of this drawing is reserved by HellermannTyton. It is issued on condition that it is not reproduced, copied, or disclosed to a third party, either wholly or in part, without the consent of HellermannTyton.

Drawn	AAC	01/26/2012
Approved	KAC	02/07/2012

HellermannTyton
North America
Email: corp@htamericas.com
Web: www.hellermann.tyton.com

Article/Type-No BSHKLPFR
Title PET FLAME RETARDANT SPLIT BRAIDED SLEEVING WITH HOOK AND LOOP
Drawing-No 11-0337-007-CSU
Production : Phase

Scale 1:1
Project Number PRP11-0337
Format AH
Sheet 1/1