

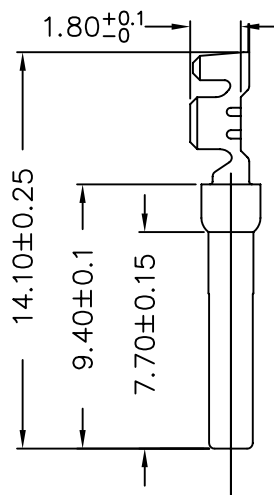
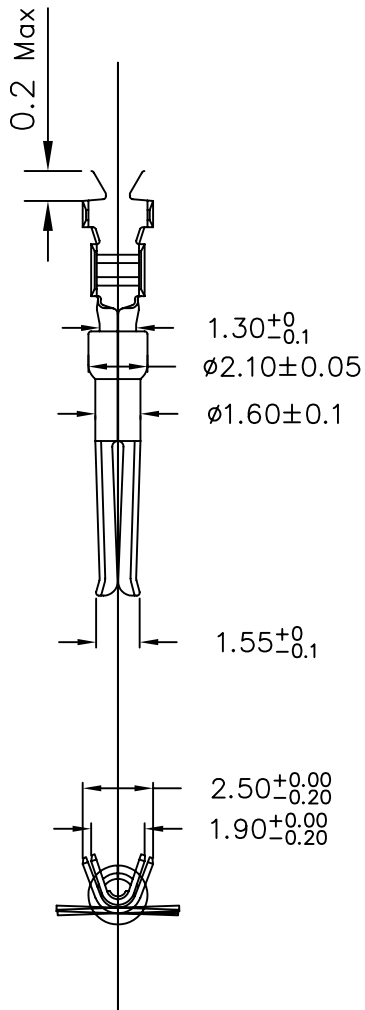
A

B

C

D

E



TECHNICAL DATA

D-SUBMINIATURE CONNECTORS

Contact : Phosphor bronze

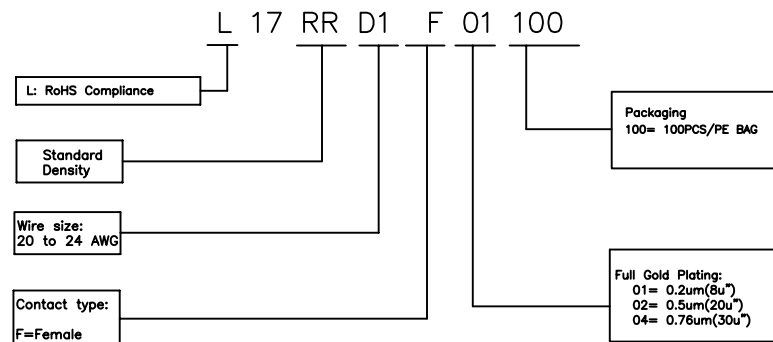
Wire Size : AWG 20 to 24

Electrical

Contact Resistance :

10 milli-ohms Max. mated

PRODUCT CODE



Amphenol Socapex

TOL. GEN.: +/-0,30								
VOLUME:								
AREA:								
PLATING:								
TREATMENT:								
MATERIAL:								
SERIES	FILE:	CUSTOMER	MODIFICATIONS	DRAW	DATE	APPROVE	IND.	
NUMBER SERIES L17 RR Series								
DATE 2006.10.09	DESIGNATION Standard Density Crimp Contact Socket	INTERNAL PART NUMBER L17RRD1F01100						