

番号 NO.	名称 NAME	原料 MATERIAL	数量 QTY	仕上げ FINISH
①	ウエハー WEFAR	ナイロン NYLON	1	UL94V-0
②	ピン PIN	黄銅 BRASS	N	全体鍍メッキ PRE-TINNED

注) NOTES 1. 原料および仕上げ: 表参照
 MATERIAL AND FINISH: SEE CHART
 △ キングは、両サイド4ピンに適用。(4極品までは、全極に適用) TO BE APPLICABLE 4 PIN OF BOTH SIDE.
 △ 製品番号 MATERIAL NO. 55447-***7*
 極数 CIRCUIT SIZE (02 ~ 20)
 メッキ仕様: 無鉛 PLATING: LEAD FREE
 色 COLOR 0: 自然色 NATURAL 2: 赤 RED, 3: 黄 YELLOW

△ 側面の溝は、10極以上に適用。
 SIDE DITCHES MUST BE APPLICABLE OVER 10 CIRCUIT SIZE.

6	26.4	23.75	27.25	20	55447-207*
	25.15	22.5	26	19	-197*
	23.9	21.25	24.75	18	-187*
	22.65	20	23.5	17	-177*
	21.4	18.75	22.25	16	-167*
	20.15	17.5	21	15	-157*
	18.9	16.25	19.75	14	-147*
	17.65	15	18.5	13	-137*
	16.4	13.75	17.25	12	-127*
	15.15	12.5	16	11	-117*
4.75	13.9	11.25	14.75	10	-107*
	12.65	10	13.5	9	-097*
	11.4	8.75	12.25	8	-087*
	10.15	7.5	11	7	-077*
	8.9	6.25	9.75	6	-067*
	7.65	5	8.5	5	-057*
	6.4	3.75	7.25	4	-047*
D	5.15	2.5	6	3	-037*
	3.9	1.25	4.75	2	55447-027*
極数 CIRCUIT SIZE				△ 製品番号 MATERIAL NO.	
MODEL NO.				55447-***7*	

REVISED		GENERAL TOLERANCES (UNLESS SPECIFIED)		DIMENSION STYLE		SCALE	DESIGN UNITS	THIRD ANGLE PROJECTION	
EC NO: J2006-0438	2005/08/08	10 UNDER ±0.2		MM ONLY		4:1	METRIC	MINI M12 1-ROW WAFER ASS'Y (SN) -LEAD FREE-	
DRW: NABEI	2005/08/09	10 OVER 30 UNDER ±0.25		DRAWN BY DATE		TITLE		MOLEX MOLEX INCORPORATED	
CHK: KATOYODA	2005/08/09	30 OVER ±0.3		CHECKED BY DATE		SD-55447-010			
APP: NUKITA	2005/08/19	ANGULAR ±3 °		DRAWN BY DATE		SD-55447-010		SHEET NO. 1 OF 2	
A		DRAFT WHERE APPLICABLE MUST REMAIN WITHIN DIMENSIONS		APPROVED BY DATE		SEE CHART			
				MATERIAL NO.		DOCUMENT NO.			
				SIZE A3		THIS DRAWING CONTAINS INFORMATION THAT IS PROPRIETARY TO MOLEX INCORPORATED AND SHOULD NOT BE USED WITHOUT WRITTEN PERMISSION			

10 9 8 7 6 5 4 3 2 1

F

E

D

C

B

A

F

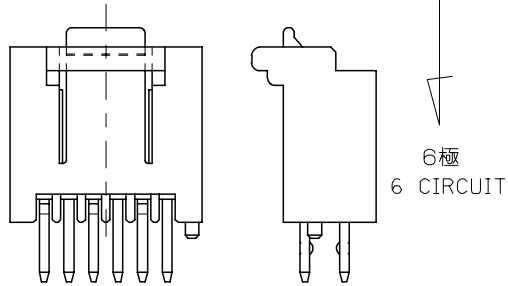
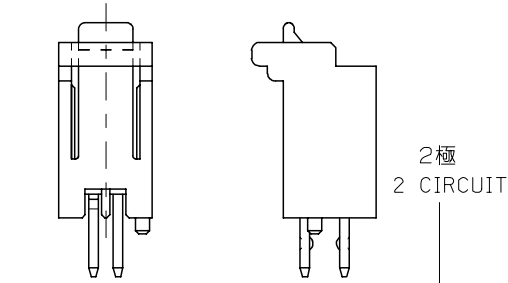
E

D

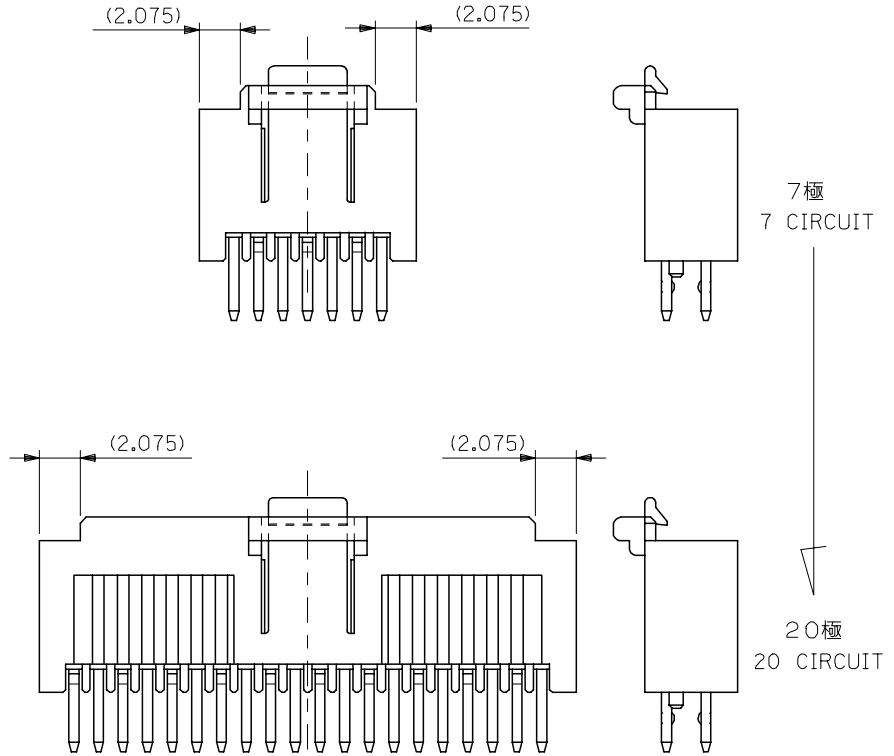
C

B

A



2極~6極のハウジング形状
SHAPE OF HS'G FROM 2 TO 6 CIRCUIT



7極~20極のハウジング形状
SHAPE OF HS'G FROM 7 TO 20 CIRCUIT

REVISED EC NO: J2006-0438 DRWN: NABEI 2005/08/08 CHKDK: TOYODA 2005/08/09 APPR: NUKITA 2005/08/19	GENERAL TOLERANCES (UNLESS SPECIFIED)		DIMENSION STYLE MM ONLY		SCALE 4:1	DESIGN UNITS METRIC	THIRD ANGLE PROJECTION	
	10 UNDER	±0.2	DRAWN BY N. YOSHIDA	DATE '03/02/07	TITLE MINI M12 1-ROW WAFER ASS'Y (SN) -LEAD FREE- MOLEX INCORPORATED			
	10 OVER 30 UNDER	±0.25	CHECKED BY M. YAGI	DATE '03/02/07				
	30 OVER	±0.3	APPROVED BY Y. ITO	DATE '03/02/07				
	ANGULAR ±3 °		DRAFT WHERE APPLICABLE MUST REMAIN WITHIN DIMENSIONS		MATERIAL NO. SEE CHART	DOCUMENT NO. SD-55447-010	SHEET NO. 2 OF 2	
SIZE A3 THIS DRAWING CONTAINS INFORMATION THAT IS PROPRIETARY TO MOLEX INCORPORATED AND SHOULD NOT BE USED WITHOUT WRITTEN PERMISSION								

9

8

7

6

5

4

3

2