

THIS DRAWING IS UNPUBLISHED. RELEASED FOR PUBLICATION
 © COPYRIGHT BY TYCO ELECTRONICS CORPORATION. ALL RIGHTS RESERVED.

LOC	DIST	REVISIONS					
AD	38	P	LTN	DESCRIPTION	DATE	DWN	APVD
		G		OG3C-0202-03	25APR03	TK	JO

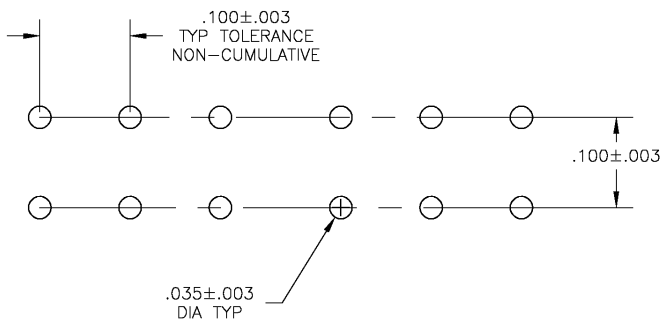
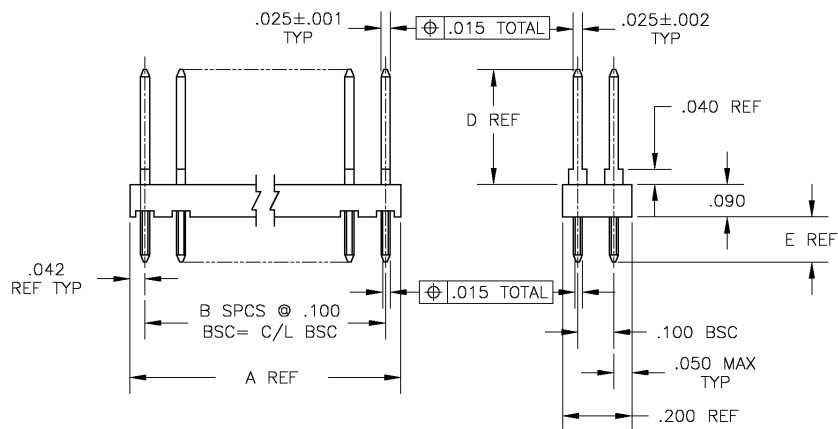
1. TRUE POSITION TOLERANCE OF POST TIPS APPLIES WHEN HEADERS ARE HELD FLAT AGAINST POINTED CIRCUIT BOARD.

2 OBSOLETE PART NUMBER

3 .000100-.000200 BRIGHT TIN OVER .000050-.000100 NICKEL.

4 .000100-.000200 BRIGHT TIN-LEAD OVER .000050-.000100 NICKEL.

5 PRELIMINARY PART



RECOMMENDED HOLE LAYOUT

SUPERCEDED BY 3-103322-5

SUPERCEDED BY 3-103322-2

SUPERCEDED BY 3-103322-0

SUPERCEDED BY 2-103322-5

SUPERCEDED BY 2-103322-1

SUPERCEDED BY 1-103322-6

SUPERCEDED BY 1-103322-2

SUPERCEDED BY 103322-9

SUPERCEDED BY 103322-2

3	.125	.318	.500	5	.584	12	4-87543-3
4	.125	.318	4.100	41	4.184	80	4-87543-2
	.125	.318	4.000	40	4.084	80	4-87543-1
	.125	.318	3.900	39	3.984	80	4-87543-0
	.125	.318	3.800	38	3.884	78	3-87543-9
	.125	.318	3.700	37	3.784	76	3-87543-8
	.125	.318	3.600	36	3.684	74	3-87543-7
	.125	.318	3.500	35	3.584	72	3-87543-6
	.125	.318	3.400	34	3.484	70	3-87543-5
	.125	.318	3.300	33	3.384	68	3-87543-4
	.125	.318	3.200	32	3.284	66	3-87543-3
	.125	.318	3.100	31	3.184	64	3-87543-2
	.125	.318	3.000	30	3.084	62	3-87543-1
	.125	.318	2.900	29	2.984	60	3-87543-0
	.125	.318	2.800	28	2.884	58	2-87543-9
	.125	.318	2.700	27	2.784	56	2-87543-8
	.125	.318	2.600	26	2.684	54	2-87543-7
	.125	.318	2.500	25	2.584	52	2-87543-6
	.125	.318	2.400	24	2.484	50	2-87543-5
	.125	.318	2.300	23	2.384	48	2-87543-4
	.125	.318	2.200	22	2.284	46	2-87543-3
	.125	.318	2.100	21	2.184	44	2-87543-2
	.125	.318	2.000	20	2.084	42	2-87543-1
	.125	.318	1.900	19	1.984	40	2-87543-0
	.125	.318	1.800	18	1.884	38	1-87543-9
	.125	.318	1.700	17	1.784	36	1-87543-8
	.125	.318	1.600	16	1.684	34	1-87543-7
	.125	.318	1.500	15	1.584	32	1-87543-6
	.125	.318	1.400	14	1.484	30	1-87543-5
	.125	.318	1.300	13	1.384	28	1-87543-4
	.125	.318	1.200	12	1.284	26	1-87543-3
	.125	.318	1.100	11	1.184	24	1-87543-2
	.125	.318	1.000	10	1.084	22	1-87543-1
	.125	.318	.900	9	.984	20	1-87543-0
	.125	.318	.800	8	.884	18	87543-9
	.125	.318	.700	7	.784	16	87543-8
	.125	.318	.600	6	.684	14	87543-7
	.125	.318	.500	5	.584	12	87543-6
	.125	.318	.400	4	.484	10	87543-5
	.125	.318	.300	3	.384	8	87543-4
	.125	.318	.200	2	.284	6	87543-3
	.125	.318	.100	1	.184	4	87543-2
4	.125	.318	-	-	.084	2	87543-1
FINISH	E	D	C	B	A	NO OF POSN	PART NUMBER

THIS DRAWING IS A CONTROLLED DOCUMENT.

DIMENSIONS: INCHES	TOLENANCES UNLESS OTHERWISE SPECIFIED:	DWN M.E. PASTEL 11-20-87	Tyco Electronics Corporation
	0 PLC ± -	CHK T.C. CLARK 11-25-87	Harrisburg, Pa
	1 PLC ± -	APVD T.C. CLARK 11-25-87	
	2 PLC ± -	PRODUCT SPEC	NAME
	3 PLC ± -	APPLICATION SPEC	ASSEMBLY, MOD II, HEADER, DOUBLE ROW, .100X.100
4 PLC ± -	ANGLES ± -	SIZE	CAGE CODE
FINISH	SEE TABLE	DRAWING NO	RESTRICTED TO
MATERIAL HSP-GLASS FILLED NYLON COLOR: BLACK CONTACT: PHOS BRONZE		WEIGHT	
		CUSTOMER DRAWING	SCALE 1:1 SHEET 1 OF 1 REV G