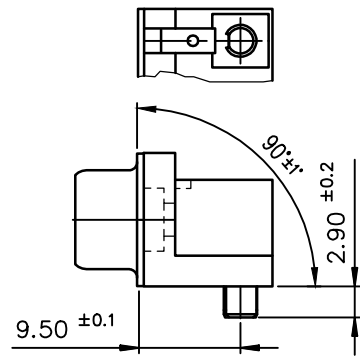
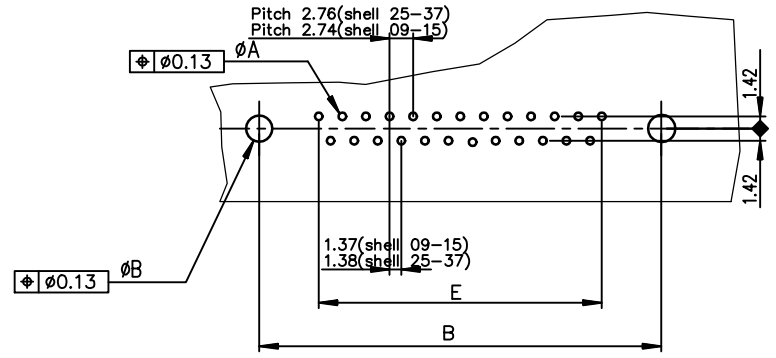


Detail of plastic pin



PC card drilling dimensions(after plating)
(thickness 1.60 or 2.40±0.20mm)



TIN LEAD PART NUMBER

SHELL	A±0.38	B±0.12	C±0.10	D _h ±0.25	E±0.07	G	PART NUMBER	PART NUMBER
09	30.81	24.99	18.00	16.79	10.96	5.90 ^{+0.15}	D09P80C4PA00	D09P80C6PA00
15	39.14	33.32	26.32	25.12	19.18	5.90 ^{+0.15}	D15P80C4PA00	D15P80C6PA00
25	53.03	47.04	40.04	38.84	33.12	5.70 ^{+0.25}	D25P80C4PA00	D25P80C6PA00
37	69.32	63.50	56.50	55.30	49.68	5.70 ^{+0.25}	D37P80C4PA00	D37P80C6PA00
							Gold flash	0,76 » gold

LEAD FREE PART NUMBER

SHELL	A±0.38	B±0.12	C±0.10	D _h ±0.25	E±0.07	G	PART NUMBER	PART NUMBER
09	30.81	24.99	18.00	16.79	10.96	5.90 ^{+0.15}	D09P80C4PA00LF	D09P80C6PA00LF
15	39.14	33.32	26.32	25.12	19.18	5.90 ^{+0.15}	D15P80C4PA00LF	D15P80C6PA00LF
25	53.03	47.04	40.04	38.84	33.12	5.70 ^{+0.25}	D25P80C4PA00LF	D25P80C6PA00LF
37	69.32	63.50	56.50	55.30	49.68	5.70 ^{+0.25}	D37P80C4PA00LF	D37P80C6PA00LF
							Gold flash	0,76 » gold

GENERAL CHARACTERISTICS AND ROHS INFORMATIONS:

SEE DRAWING C01-8646-0001

mat'l. code		surface		tolerance		projection		product family		
-		ISO 1302 ✓		ISO 406 ISO 1101				D-SUB		
ltr	ecn no	dr	date	tolerances unless otherwise specified		title				
G	ELX-I-17859	MP	2014/06/06	angles	.0±0.1					
				linear	.00±0.1					
				0°±2'	.000±0.1	scale 2:1				
				dr	PESSON	1995/10/27			sheet 1 of 1 size	
				engr	MITHUN PAUL	2014/06/06			C01-8646-0404 A3	
				chr	ALIAS BABU	2014/06/06			type Product Customer Drawing	
				appd	BIJU K PAUL	2014/06/06				
sheet index	revision sheet	G	1							



Copyright FCI