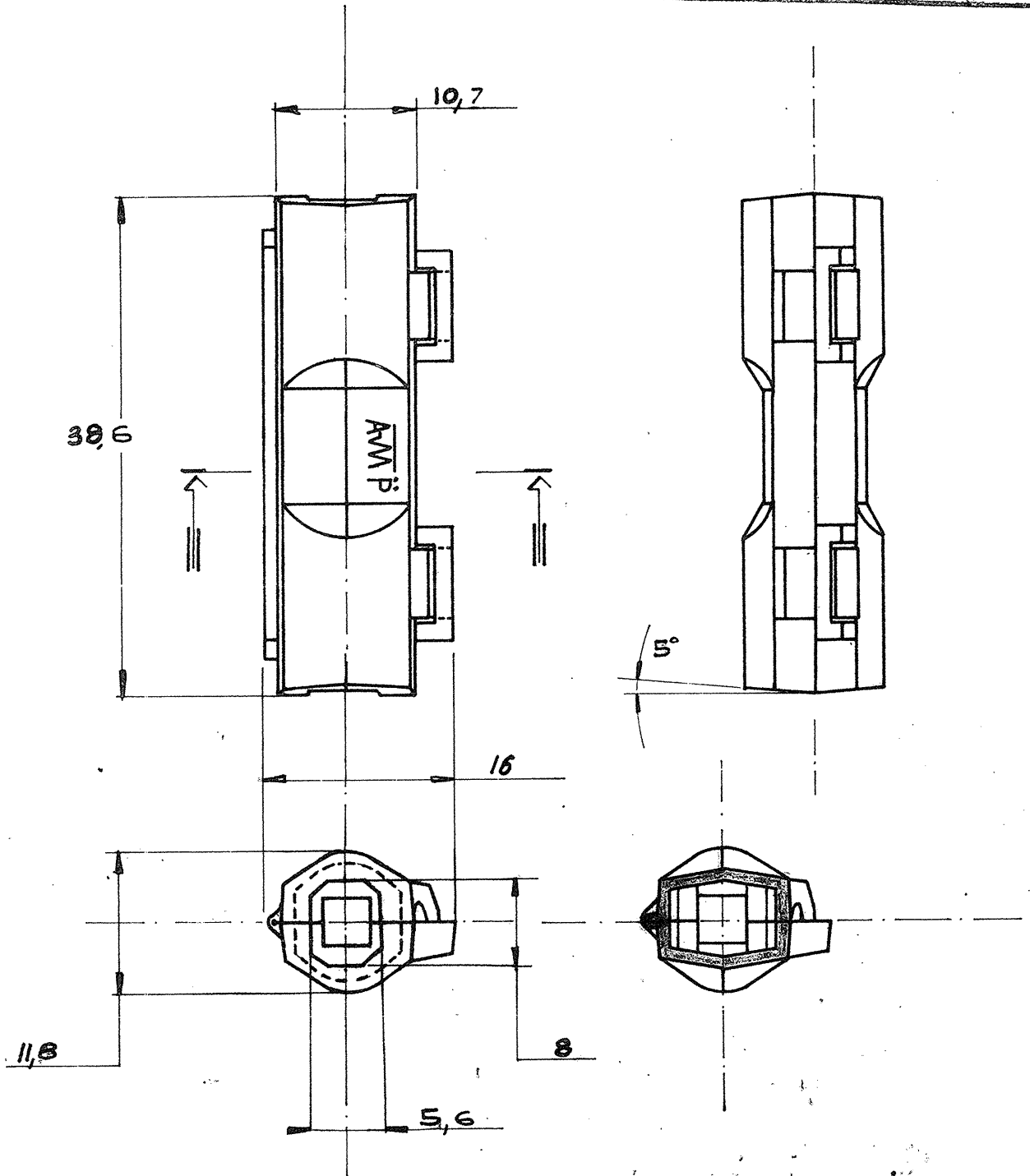


NUMBER
C. 280089



DIMENSIONS IN mm DO NOT SCALE PRINT

PRINT DIST

G	Rivisto	ES.		2-1	84
F	REVISIONATO			27/70	
E	REVISIONATO			21/70	
D	REV. & RIED.	Jg.		27th	MAY '70
LTR	REVISION RECORD	DR	CHK	DATE	
DR	G. Fornicis, th	DE			
	27 MAY '70				
CHK	MIL BONATI	APP			
	27 MAY '70				

© 1970 BY AMP INCORPORATED. ALL RIGHTS RESERVED. AMP PRODUCTS COVERED BY PATENTS AND/OR PATENTS PENDING.

CUSTOMER COPY
REFERENCE ONLY

MATERIAL AND FINISH

Poliammide 6.6 Nat.



AMP - ITALI
CORSO PESCHIERA 2
TORINO - ITALI

CLASS

WIRE — RANGE — INSULATION

TYPE

TOLERANCE EXCEPT AS NOTED
± 0,4 ± 1° 0'

SCALE

LOC

NO

2

A

C. 280089

NAME

POST INSULATING

SLEEVE