



# 500mA Low-Noise LDO Voltage Regulator

## 500mA Low-Noise LDO Voltage Regulator

August 2016

Rev. 2.0.3

### GENERAL DESCRIPTION

The SPX3819 is a positive voltage regulator with a low dropout voltage and low noise output. In addition, this device offers a very low ground current of  $800\mu\text{A}$  at  $100\text{mA}$  output. The SPX3819 has an initial tolerance of less than 1% max and a logic compatible ON/OFF switched input. When disabled, power consumption drops to nearly zero. Other key features include reverse battery protection, current limit, and thermal shutdown. The SPX3819 includes a reference bypass pin for optimal low noise output performance. With its very low output temperature coefficient, this device also makes a superior low power voltage reference.

The SPX3819 is an excellent choice for use in battery-powered applications such as cordless telephones, radio control systems, and portable computers. It is available in several fixed output voltage options or with an adjustable output voltage.

This device is offered in 8 pin NSOIC, 8 pin DFN and 5-pin SOT-23 packages.

### APPLICATIONS

- Portable Consumer Equipment
- Portable Instrumentation
- Industrial Equipment
- SMPS Post Regulators

### FEATURES

- **Low Noise:  $40\mu\text{V}$  Possible**
- **High Accuracy: 1%**
- **Reverse Battery Protection**
- **Low Dropout:  $340\text{mV}$  at Full Load**
- **Low Quiescent Current:  $90\mu\text{A}$**
- **Zero Off-Mode Current**
- **Fixed & Adjustable Output Voltages:**
  - 1.2V, 1.5V, 1.8V, 2.5V, 3.0V, 3.3V & 5.0V Fixed Output Voltages
  - $\geq 1.235\text{V}$  Adjustable Output Voltages
- **Available in RoHS Compliant, Lead Free Packages:**
  - 5-pin SOT-23, 8-pin SOIC and 8-pin DFN

### TYPICAL APPLICATION DIAGRAM

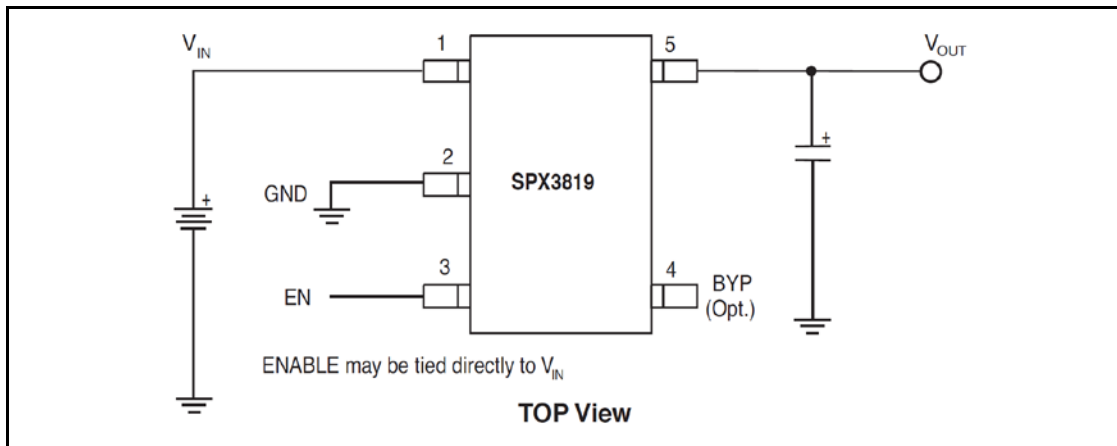


Fig. 1: SPX3819 Application Circuit



500mA Low-Noise LDO Voltage Regulator

**ABSOLUTE MAXIMUM RATINGS**

These are stress ratings only and functional operation of the device at these ratings or any other above those indicated in the operation sections of the specifications below is not implied. Exposure to absolute maximum rating conditions for extended periods of time may affect reliability.

V<sub>IN</sub>, EN ..... -20V to +20V  
 Storage Temperature ..... -65°C to 150°C  
 Junction Temperature ..... 150°C  
 Power Dissipation ..... Internally Limited  
 Lead Temperature (Soldering, 5 sec) ..... 260°C  
 ESD Rating (HBM - Human Body Model) ..... 2kV

**OPERATING RATINGS**

Input Voltage Range V<sub>IN</sub> ..... 2.5V to 16V  
 Enable Pin EN ..... 0.0V to V<sub>IN</sub>  
 Junction Temperature Range ..... -40°C to +125°C  
 Thermal Resistance<sup>1</sup> .....  
     θ<sub>JA</sub> (SOT23-5) ..... 191°C/W  
     θ<sub>JA</sub> (NSOIC-8) ..... 128.4°C/W  
     θ<sub>JA</sub> (DFN-8) ..... 59°C/W

Note 1: The maximum allowable power dissipation is a function of maximum operating junction temperature, T<sub>J(max)</sub>, the junction to ambient thermal resistance, and the ambient θ<sub>JA</sub>, and the ambient temperature T<sub>A</sub>. The maximum allowable power dissipation at any ambient temperature is given: P<sub>D(max)</sub> = (T<sub>J(max)</sub>-T<sub>A</sub>)/θ<sub>JA</sub>, exceeding the maximum allowable power limit will result in excessive die temperature; thus, the regulator will go into thermal shutdown

**ELECTRICAL SPECIFICATIONS**

Specifications with standard type are for an Operating Junction Temperature of T<sub>J</sub> = 25°C only; limits applying over the full Operating Junction Temperature range are denoted by a “•”. Minimum and Maximum limits are guaranteed through test, design, or statistical correlation. Typical values represent the most likely parametric norm at T<sub>J</sub> = 25°C, and are provided for reference purposes only. Unless otherwise indicated, V<sub>IN</sub> = V<sub>OUT</sub> + 1V (V<sub>IN</sub> = V<sub>OUT</sub> + 1.2V for 1.2V option), I<sub>L</sub> = 100µA, C<sub>L</sub> = 1µF, V<sub>EN</sub> ≥ 2.5V, T<sub>A</sub> = T<sub>J</sub> = 25°C.

Parameter	Min.	Typ.	Max.	Units	Conditions
Output Voltage Tolerance	-1		+1	%	•
	-2		+2		
Output Voltage Temperature Coefficient		57		ppm/°C	
Line Regulation		0.04	0.1	%/V	V <sub>IN</sub> = V <sub>OUT</sub> + 1 to 16V and V <sub>EN</sub> ≤ 6V
			0.2		• V <sub>IN</sub> = V <sub>EN</sub> = V <sub>OUT</sub> + 1 ≤ 8V
			0.2		V <sub>IN</sub> = V <sub>EN</sub> = V <sub>OUT</sub> + 1 ≤ 16V T <sub>A</sub> = 25°C to 85°C
Load Regulation		0.05	0.4	%	I <sub>L</sub> = 0.1mA to 500mA
Dropout Voltage (V <sub>IN</sub> -V <sub>OUT</sub> ) <sup>2</sup>		10	60	mV	• I <sub>L</sub> = 100µA
			80		• I <sub>L</sub> = 50mA
		125	175		• I <sub>L</sub> = 150mA
			250		• I <sub>L</sub> = 500mA
		180	350		
			450		
		340	550		
		700			
Quiescent Current (I <sub>GND</sub> )		0.05	3	µA	V <sub>ENABLE</sub> ≤ 0.4V
			8		• V <sub>ENABLE</sub> = 0.25V
Ground Pin Current (I <sub>GND</sub> )		90	150	µA	• I <sub>L</sub> = 100µA
			190		• I <sub>L</sub> = 50mA
		250	650		
			900	mA	• I <sub>L</sub> = 150mA
		1.0	2.0		• I <sub>L</sub> = 500mA
			2.5		
		6.5	25.0		
		30.0			
Ripple Rejection (PSRR)		70		dB	



500mA Low-Noise LDO Voltage Regulator

Parameter	Min.	Typ.	Max.	Units	Conditions
Current Limit ( $I_{LIMIT}$ )		800		mA	$V_{OUT}=0V$
			950		
Output Noise ( $e_{NO}$ )		300		$\mu V_{RMS}$	$I_L = 10mA, C_L = 1.0\mu F, C_{IN} = 1\mu F, (10Hz - 100kHz)$
		40		$\mu V_{RMS}$	$I_L = 10mA, C_L = 1.0\mu F, C_{BYP} = 1\mu F, C_{IN} = 1\mu F, (10Hz - 100kHz)$
Input Voltage Level Logic Low ( $V_{IL}$ )			0.4	V	OFF
Input Voltage Level Logic High ( $V_{IH}$ )	2			V	ON
ENABLE Input Current		0.01	2	$\mu A$	$V_{IL} \leq 0.4V$ $V_{IH} \geq 2.0V$
		3	20		

Note 2: Not applicable to output voltage 2V or less.

PIN ASSIGNMENT

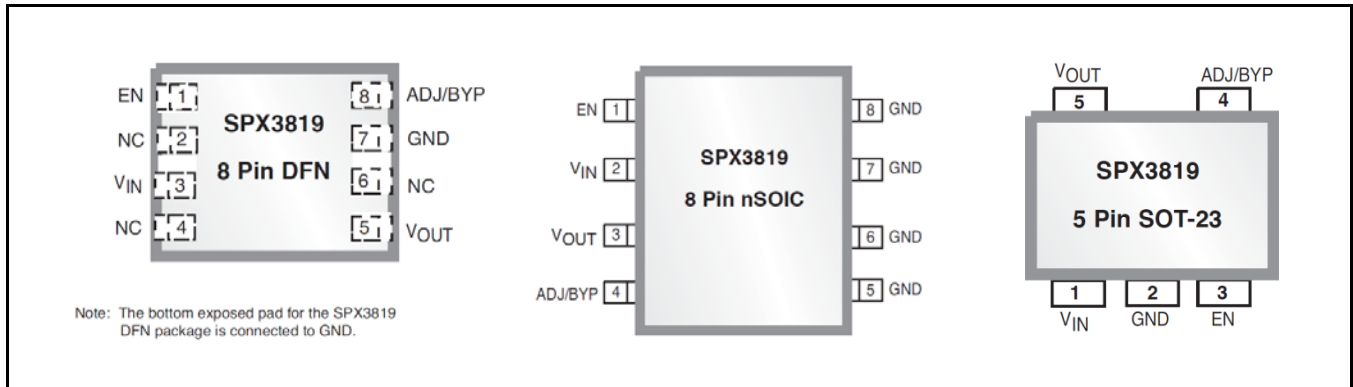


Fig. 2: SPX3819 Pin Assignment

PIN DESCRIPTION

Name	Pin # nSOIC	Pin # DFN	Pin # SOT-23	Description
VIN	2	3	1	Supply Input
GND	5, 6, 7, 8	7	2	Ground
VOUT	3	5	5	Regulator Output
EN	1	1	3	Enable(input). CMOS compatible control input. Logic high – enable; logic low or open = shutdown
ADJ/BYP	4	8	4	Adjust(input). Feedback input. Connect to resistive voltage-divider network
NC	-	2, 4, 6	-	No Connect



**ORDERING INFORMATION**

Part Number	Temperature Range	Marking	Package	Packaging Method	Note 1	Note 2
SPX3819M5-L	-40°C ≤ T <sub>J</sub> ≤ +125°C	G1WW	SOT-23-5	Bulk	Halogen free	
SPX3819M5-L/TR				Tape & Reel		
SPX3819M5-L-1-2	-40°C ≤ T <sub>J</sub> ≤ +125°C	A4WW	SOT-23-5	Bulk	Halogen free	
SPX3819M5-L-1-2/TR				Tape & Reel		
SPX3819M5-L-1-5	-40°C ≤ T <sub>J</sub> ≤ +125°C	W3WW	SOT-23-5	Bulk	Halogen free	
SPX3819M5-L-1-5/TR				Tape & Reel		
SPX3819M5-L-1-8	-40°C ≤ T <sub>J</sub> ≤ +125°C	G3WW	SOT-23-5	Bulk	Halogen free	
SPX3819M5-L-1-8/TR				Tape & Reel		
SPX3819M5-L-2-5	-40°C ≤ T <sub>J</sub> ≤ +125°C	H3WW	SOT-23-5	Bulk	Halogen free	
SPX3819M5-L-2-5/TR				Tape & Reel		
SPX3819M5-L-3-0	-40°C ≤ T <sub>J</sub> ≤ +125°C	J3WW	SOT-23-5	Bulk	Halogen free	
SPX3819M5-L-3-0/TR				Tape & Reel		
SPX3819M5-L-3-3	-40°C ≤ T <sub>J</sub> ≤ +125°C	L3WW	SOT-23-5	Bulk	Halogen free	
SPX3819M5-L-3-3/TR				Tape & Reel		
SPX3819M5-L-5-0	-40°C ≤ T <sub>J</sub> ≤ +125°C	M3WW	SOT-23-5	Bulk	Halogen free	
SPX3819M5-L-5-0/TR				Tape & Reel		
SPX3819R2-L	-40°C ≤ T <sub>J</sub> ≤ +125°C	LOL YWW XX	DFN-8	Bulk	Halogen free	
SPX3819R2-L/TR				Tape & Reel		
SPX3819R2-L-1-2	-40°C ≤ T <sub>J</sub> ≤ +125°C	MOL YWW XX	DFN-8	Bulk	Halogen free	
SPX3819R2-L-1-2/TR				Tape & Reel		
SPX3819R2-L-1-8	-40°C ≤ T <sub>J</sub> ≤ +125°C	NOL YWW XX	DFN-8	Bulk	Halogen free	
SPX3819R2-L-1-8/TR				Tape & Reel		
SPX3819S-L	-40°C ≤ T <sub>J</sub> ≤ +125°C	SPX3819 YYWWL XXX	NSOIC-8	Bulk	Halogen free	
SPX3819S-L/TR				Tape & Reel		
SPX3819S-L-1-2	-40°C ≤ T <sub>J</sub> ≤ +125°C	SPX3819 12YYWWL XXX	NSOIC-8	Bulk	Halogen free	
SPX3819S-L-1-2/TR				Tape & Reel		
SPX3819S-L-1-5	-40°C ≤ T <sub>J</sub> ≤ +125°C	SPX3819 15YYWWL XXX	NSOIC-8	Bulk	Halogen free	
SPX3819S-L-1-5/TR				Tape & Reel		
SPX3819S-L-1-8	-40°C ≤ T <sub>J</sub> ≤ +125°C	SPX3819 18YYWWL XXX	NSOIC-8	Bulk	Halogen free	
SPX3819S-L-1-8/TR				Tape & Reel		
SPX3819S-L-2-5	-40°C ≤ T <sub>J</sub> ≤ +125°C	SPX3819 25YYWWL XXX	NSOIC-8	Bulk	Halogen free	
SPX3819S-L-2-5/TR				Tape & Reel		
SPX3819S-L-3-3	-40°C ≤ T <sub>J</sub> ≤ +125°C	SPX3819 33YYWWL XXX	NSOIC-8	Bulk	Halogen free	
SPX3819S-L-3-3/TR				Tape & Reel		
SPX3819S-L-5-0	-40°C ≤ T <sub>J</sub> ≤ +125°C	SPX3819 50YYWWL XXX	NSOIC-8	Bulk	Halogen free	
SPX3819S-L-5-0/TR				Tape & Reel		

Refer to [www.exar.com/SPX3819](http://www.exar.com/SPX3819) for most up-to-date Ordering Information



TYPICAL PERFORMANCE CHARACTERISTICS

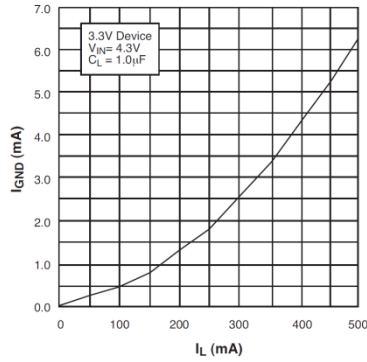


Fig. 3: Ground Current vs Load Current

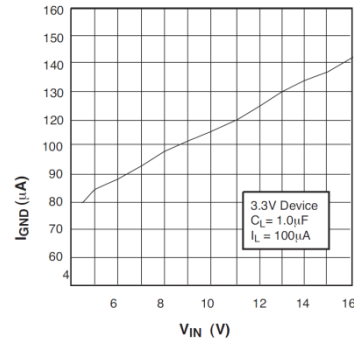


Fig. 4: Ground Current vs Input Voltage

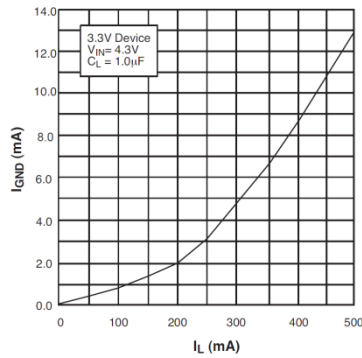


Fig. 5 Ground Current vs Load Current in Dropout

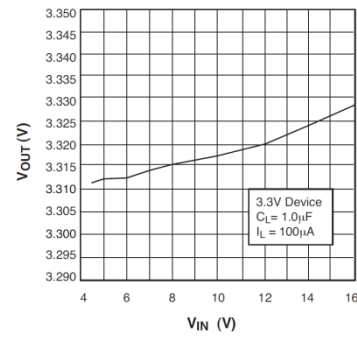


Fig. 6 Output Voltage vs Input Voltage

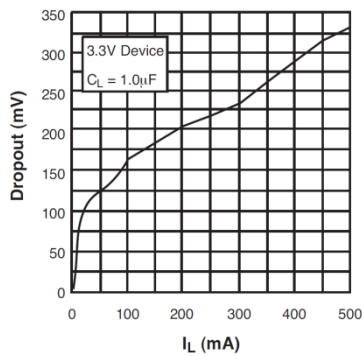


Fig. 7 Dropout Voltage vs Load Current

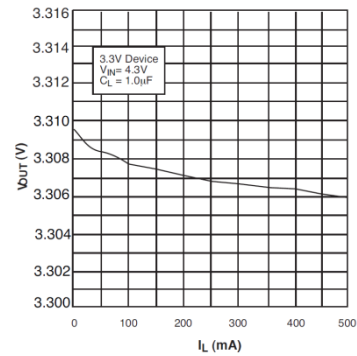


Fig. 8 Output Voltage vs Load Current



500mA Low-Noise LDO Voltage Regulator

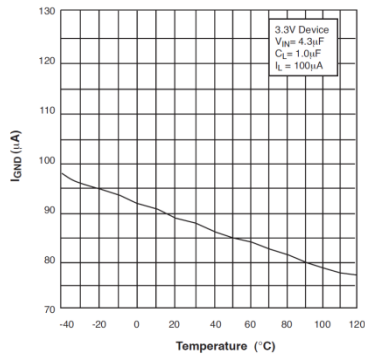


Fig. 9 Ground Current vs Temperature with 100µA Load

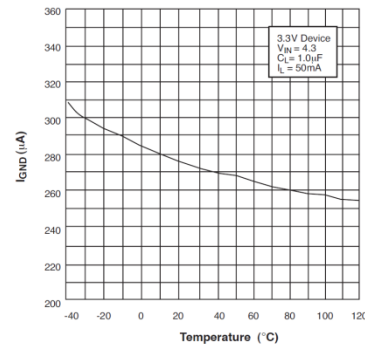


Fig. 10 Ground Current vs Temperature with 50mA Load

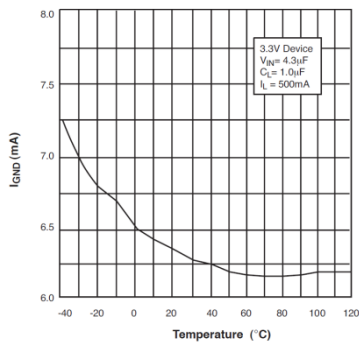


Fig. 11 Ground Current vs Temperature with 500mA Load

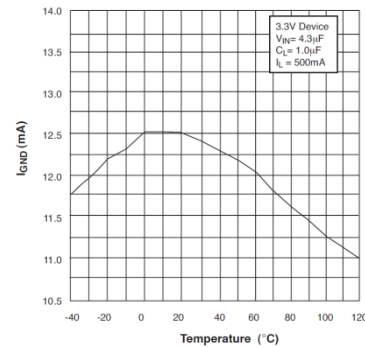


Fig. 12 Ground Current vs Temperature in Dropout

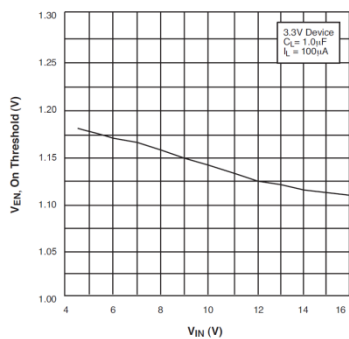


Fig. 13 ENABLE Voltage, ON threshold, vs Input Voltage

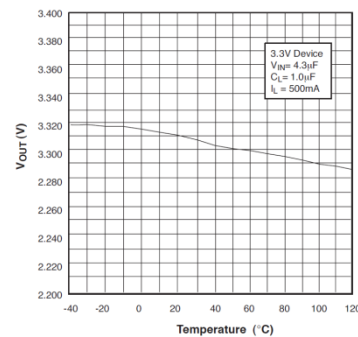


Fig. 14 Output Voltage vs Temperature

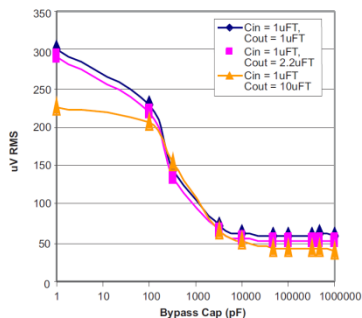


Fig. 15 Output Noise vs Bypass Capacitor Value IL = 10mA, 10Hz - 100kHz

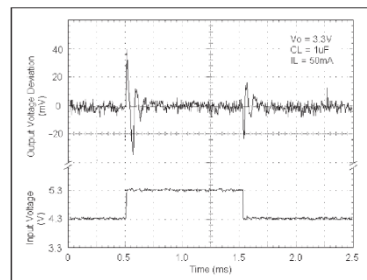


Fig. 16 Line Transient Response for 3.3V Device

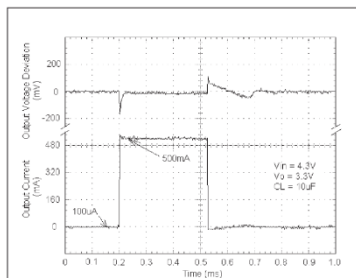


Fig. 17 Load Transient Response for 3.3V Device

### APPLICATION INFORMATION

The SPX3819 requires an output capacitor for device stability. Its value depends upon the application circuit. In general, linear regulator stability decreases with higher output currents. In applications where the SPX3819 is sourcing less current, a lower output capacitance may be sufficient. For example, a regulator outputting only 10mA, requires approximately half the capacitance as the same regulator sourcing 150mA.

Bench testing is the best method for determining the proper type and value of the capacitor since the high frequency characteristics of electrolytic capacitors vary widely, depending on type and manufacturer. A high quality 2.2μF aluminum electrolytic capacitor works in most application circuits, but

the same stability often can be obtained with a 1μF tantalum electrolytic.

With the SPX3819 adjustable version, the minimum value of output capacitance is a function of the output voltage. The value decreases with higher output voltages, since closed loop gain is increased.

### TYPICAL APPLICATIONS CIRCUITS

A 10nF capacitor on the BYP pin will significantly reduce output noise, but it may be left unconnected if the output noise is not a major concern. The SPX3819 start-up speed is inversely proportional to the size of the BYP capacitor. Applications requiring a slow rampup of the output voltage should use a larger CBYP. However, if a rapid turn-on is necessary, the BYP capacitor can be omitted.



500mA Low-Noise LDO Voltage Regulator

The SPX3819's internal reference is available through the BYP pin.

Figure 18 represents a SPX3819 standard application circuit. The EN (enable) pin is pulled high (>2.0V) to enable the regulator. To disable the regulator, EN < 0.4V.

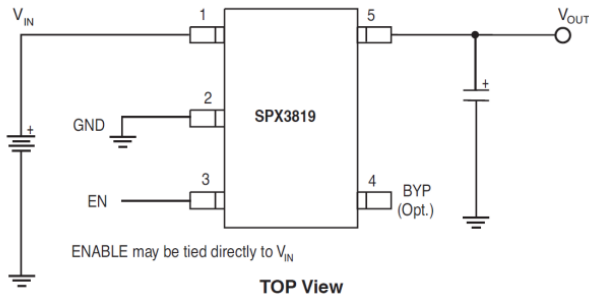


Fig. 18: Standard Application Circuit

resistors (R1 and R2) set the output voltage. The output voltage is calculated using the formula:

$$V_{OUT} = 1.235V \times [1 + R1/R2]$$

R2 must be >10kΩ and for best results, R2 should be between 22kΩ and 47kΩ.

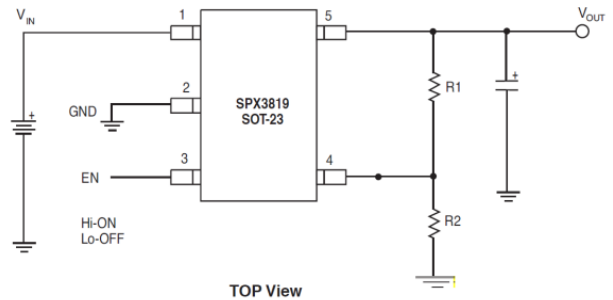


Fig. 19: Typical Adjustable Output Voltage Configuration

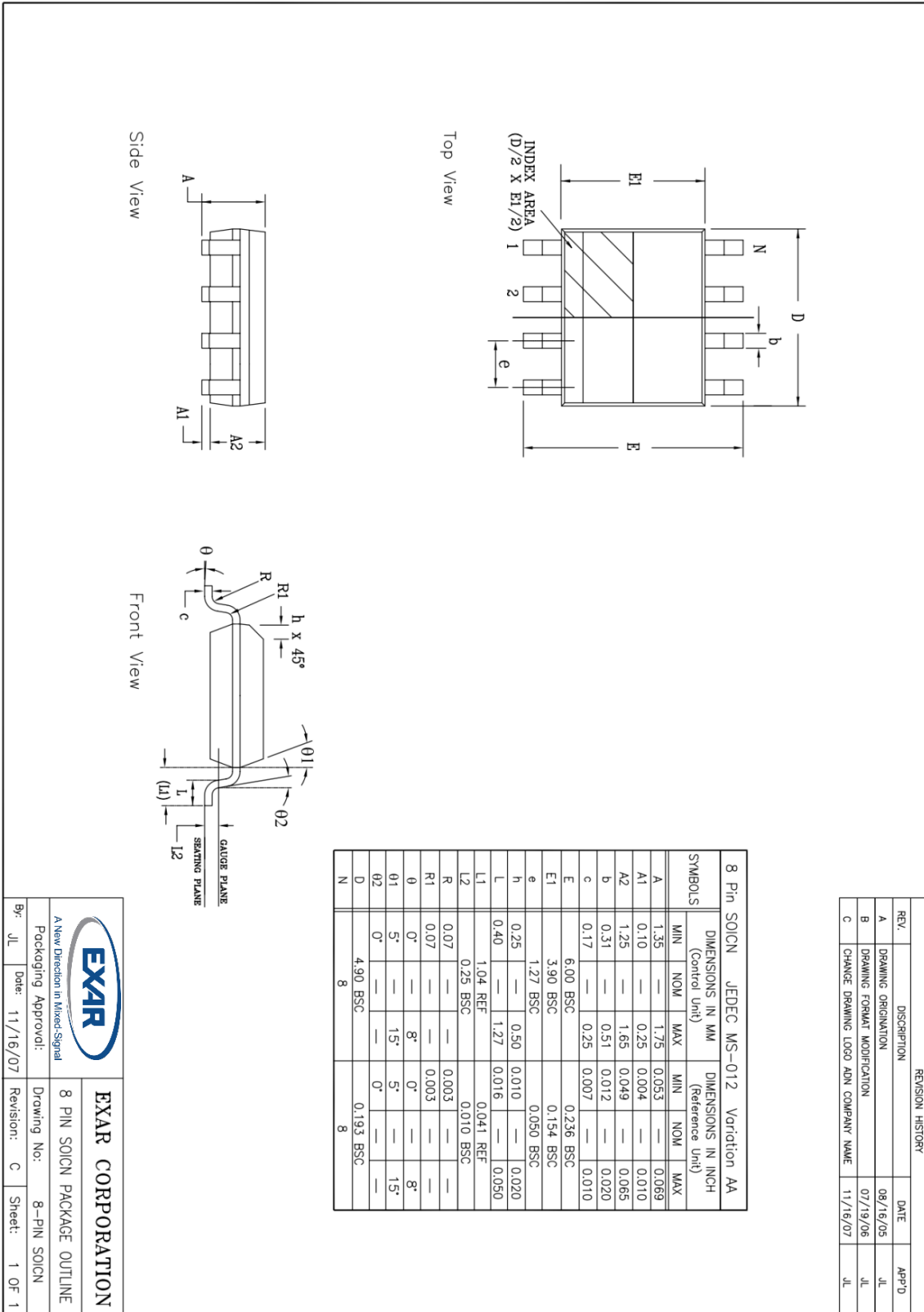
The SPX3819 in Figure 19 illustrates a typical adjustable output voltage configuration. Two





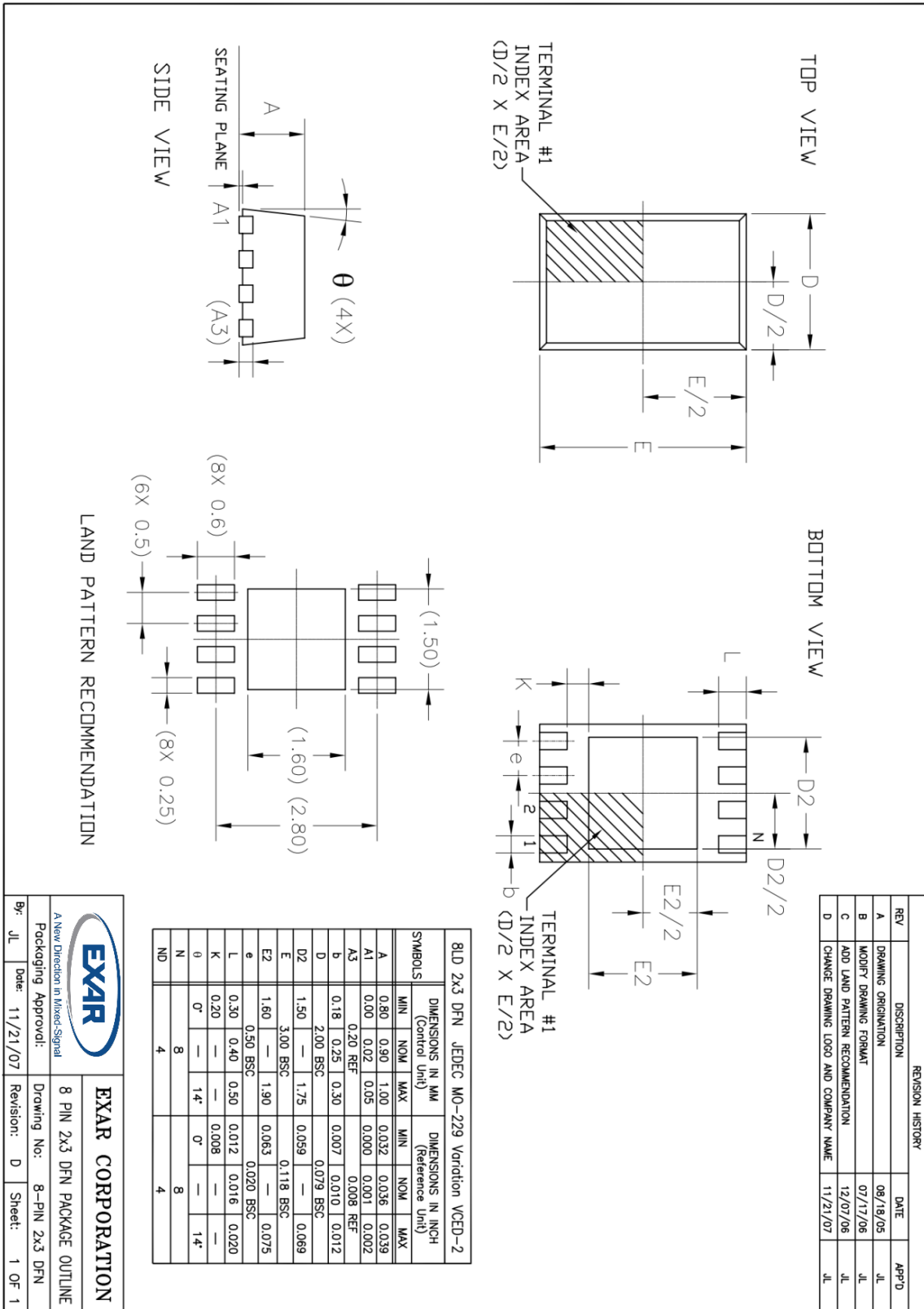
PACKAGE SPECIFICATION

8-PIN SOICN



REVISION HISTORY			
REV.	DESCRIPTION	DATE	APP'D
A	DRAWING ORIGINATOR	08/16/05	JL
B	DRAWING FORMAT MODIFICATION	07/19/06	JL
C	CHANGE DRAWING LOGO AND COMPANY NAME	11/16/07	JL

		<b>EXAR CORPORATION</b>	
A New Direction in Mixed-Signal Packaging Approvals:		8 PIN SOICN PACKAGE OUTLINE	
Bpr: JL	Date: 11/16/07	Drawing No.:	8-PIN SOICN
		Revision: C	Sheet: 1 OF 1



REVISION HISTORY			
REV	DISCRIPTION	DATE	APP'D
A	DRAWING ORIGINATOR	08/18/05	JL
B	MODIFY DRAWING FORMAT	07/17/06	JL
C	ADD LAND PATTERN RECOMMENDATION	12/07/06	JL
D	CHANGE DRAWING LOGO AND COMPANY NAME	11/21/07	JL

**EXAR CORPORATION**

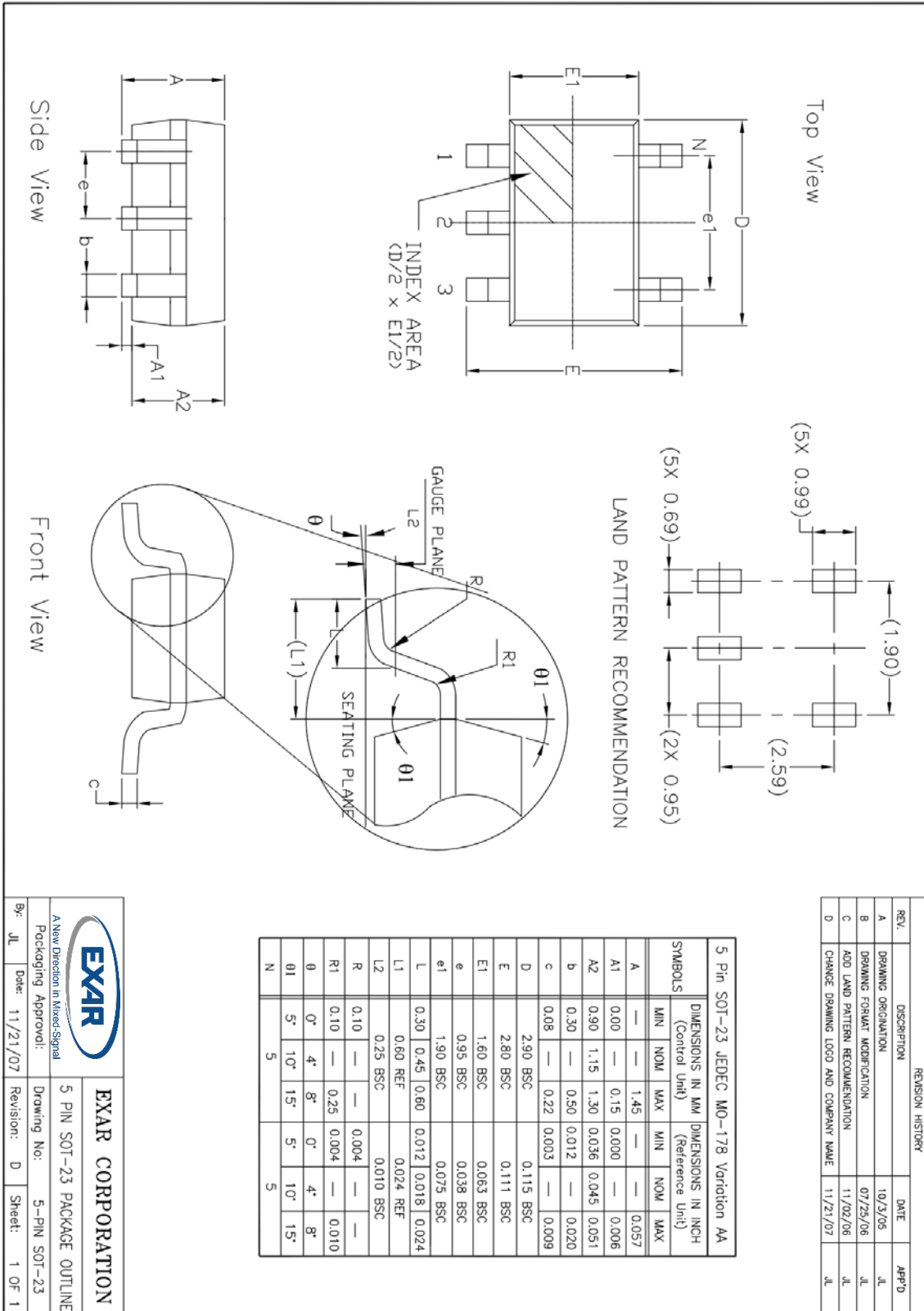
8 PIN 2x3 DFN PACKAGE OUTLINE

By: JL Date: 11/21/07

Packaging Approval:

Drawing No: 8-PIN 2x3 DFN

Revision: D Sheet: 1 OF 1





**REVISION HISTORY**

Revision	Date	Description
2.0.0	08/23/12	Reformat of Datasheet Addition of SPX3819R2-L and SPX3819R2-L/TR part numbers
2.0.1	12/02/13	Added Storage Temperature Range and Junction Temperature in ABS MAX Ratings.
2.0.2	05/20/14	Updated package drawings and corrected DFN-8 package marking information [ECN 1423-03 6/3/14]
2.0.3	08/31/16	Updated logo and Ordering Information table.

**FOR FURTHER ASSISTANCE**

Email:

[customersupport@exar.com](mailto:customersupport@exar.com)

[powertechsupport@exar.com](mailto:powertechsupport@exar.com)

Exar Technical Documentation:

<https://www.exar.com/technical-documentation>



**EXAR CORPORATION**

**HEADQUARTERS AND SALES OFFICES**

48720 Kato Road

Fremont, CA 94538 – USA

Tel.: +1 (510) 668-7000

Fax: +1 (510) 668-7030

[www.exar.com](http://www.exar.com)

**NOTICE**

EXAR Corporation reserves the right to make changes to the products contained in this publication in order to improve design, performance or reliability. EXAR Corporation assumes no responsibility for the use of any circuits described herein, conveys no license under any patent or other right, and makes no representation that the circuits are free of patent infringement. Charts and schedules contained herein are only for illustration purposes and may vary depending upon a user's specific application. While the information in this publication has been carefully checked; no responsibility, however, is assumed for inaccuracies.

EXAR Corporation does not recommend the use of any of its products in life support applications where the failure or malfunction of the product can reasonably be expected to cause failure of the life support system or to significantly affect its safety or effectiveness. Products are not authorized for use in such applications unless EXAR Corporation receives, in writing, assurances to its satisfaction that: (a) the risk of injury or damage has been minimized; (b) the user assumes all such risks; (c) potential liability of EXAR Corporation is adequately protected under the circumstances.

Reproduction, in part or whole, without the prior written consent of EXAR Corporation is prohibited.