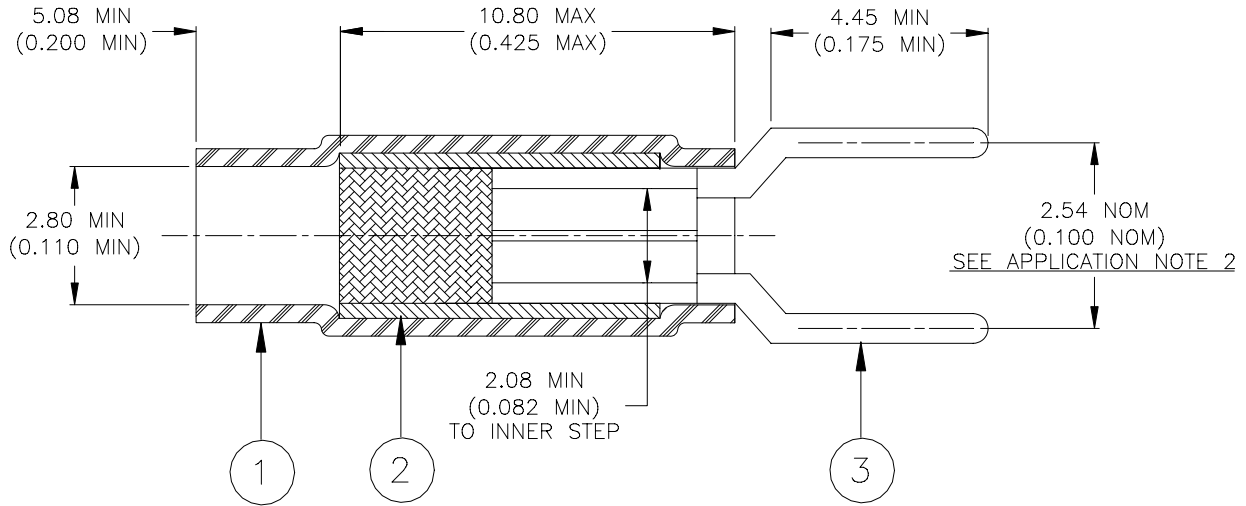


# SPECIFICATION CONTROL DRAWING

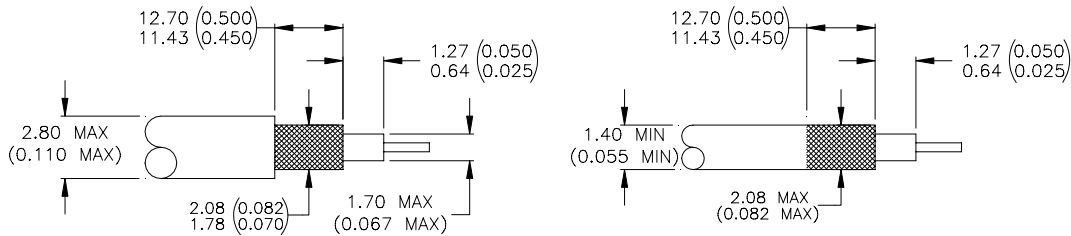


## MATERIALS

1. INSULATION SLEEVE: Heat-shrinkable, transparent blue, radiation cross-linked modified polyvinylidene fluoride.
2. SHIELD: Solder-impregnated, flux-coated copper wire braid.  
SOLDER: TYPE Sn63 per ANSI-J-STD-006.  
FLUX: TYPE ROM1 per ANSI-J-STD-004.
3. TERMINATOR BODY: Copper Alloy C10200 per ASTM B75.

## APPLICATION

1. This part is designed to be used in attaching a coaxial cable, meeting the dimensions shown below, to a printed circuit board having 0.79 (0.031) minimum diameter holes on a square grid 2.54±0.05 (0.100±0.002) on a side. Conductor hole is to be centered within this grid.
2. Legs may be slightly splayed, if so, it may be necessary to realign them to allow insertion into the board.
3. For termination procedure, see Raychem document ES 61139.
4. Temperature rating: -55°C to +125°C.
5. Current Rating: 3 amps maximum.



<b>tyco</b> <i>Electronics</i>	Tyco Electronics Corporation 305 Constitution Drive Menlo Park, CA 94025, USA	<b>Raychem</b> Products	TITLE: <b>PCB TERMINATOR, COAXIAL CABLE STRAIGHT, 2.54X2.54 (.100X.100) GRID (1.7 (0.67) DIELECTRIC HOLE)</b>			
UNLESS OTHERWISE SPECIFIED DIMENSIONS ARE IN MILLIMETERS. INCHES DIMENSIONS ARE BETWEEN BRACKETS.			DOCUMENT NO.: <b>D-607-40</b>			
TOLERANCES: 0.00 N/A 0.0 N/A 0 N/A	ANGLES: N/A  ROUGHNESS IN MICRON	Tyco Electronics reserves the right to amend this drawing at any time. Users should evaluate the suitability of the product for their application.		DATE:  02-Oct-00	DOC ISSUE:  1	
DRAWN BY: <b>M. FORONDA</b>	REPLACES:  N/A	PROD. REV.  A	DCR NUMBER:  D000570	SCALE:  None	SIZE:  A	SHEET:  1 of 1

If this document is printed it becomes uncontrolled. Check for the latest revision.