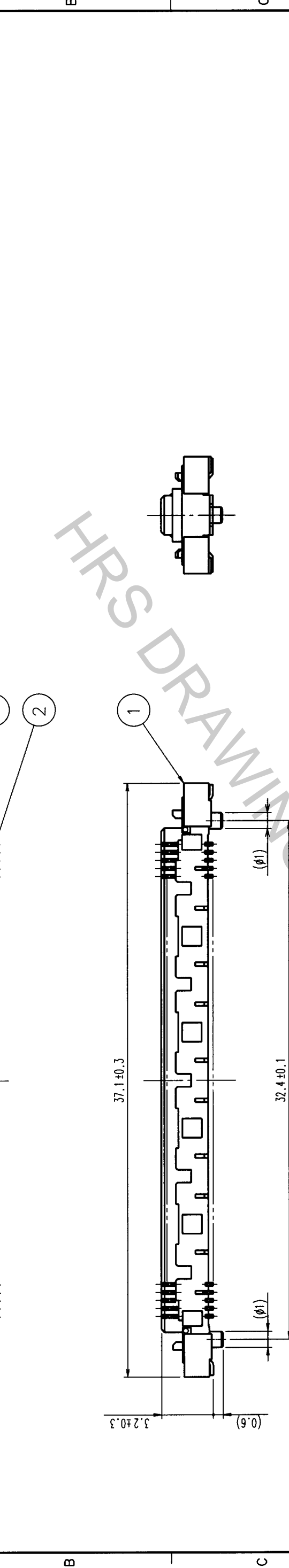
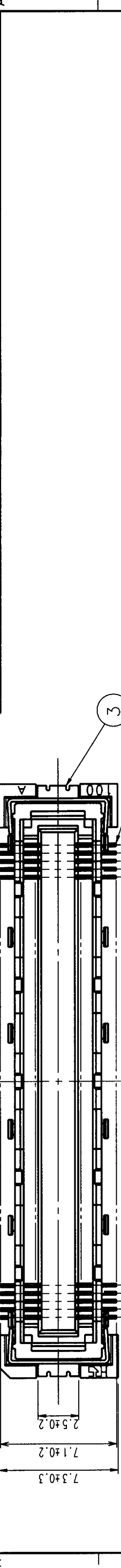
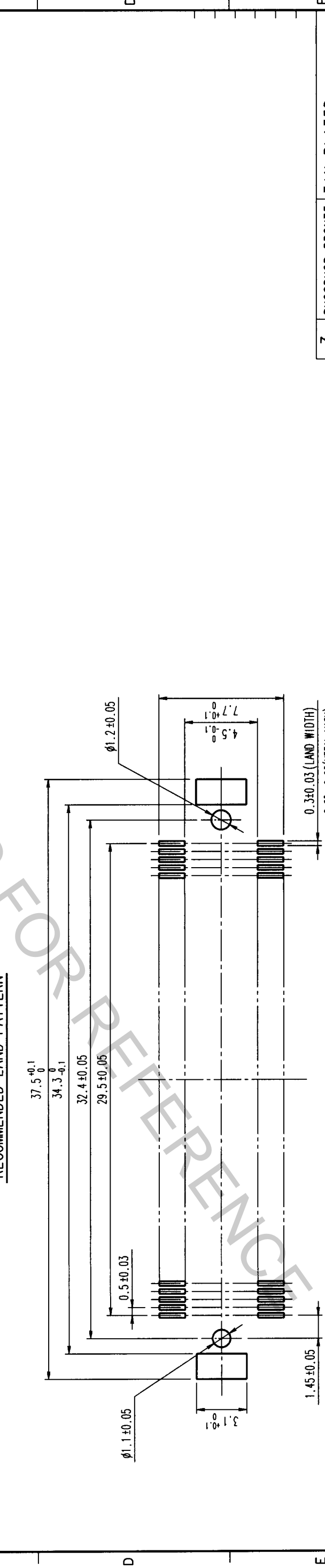


COUNT	DESCRIPTION OF REVISIONS	BY	CHKD	DATE	COUNT	DESCRIPTION OF REVISIONS	BY	CHKD	DATE
△					△				
△					△				
△					△				



RECOMMENDED LAND PATTERN



NO.	MATERIAL	FINISH, REMARKS	NO.	MATERIAL	FINISH, REMARKS
3	PHOSPHOR BRONZE	TIN PLATED	3	PHOSPHOR BRONZE	TIN PLATED
2	PHOSPHOR BRONZE	CONTACT AREA: GOLD (0.1μm) OVER NICKEL LEAD: GOLD PLATED (FLASH) OVER NICKEL	2	PHOSPHOR BRONZE	CONTACT AREA: GOLD (0.1μm) OVER NICKEL LEAD: GOLD PLATED (FLASH) OVER NICKEL
1	LCP	BEIGE UL94V-0	1	LCP	BEIGE UL94V-0

NO.	MATERIAL	FINISH, REMARKS	NO.	MATERIAL	FINISH, REMARKS
3	PHOSPHOR BRONZE	TIN PLATED	3	PHOSPHOR BRONZE	TIN PLATED
2	PHOSPHOR BRONZE	CONTACT AREA: GOLD (0.1μm) OVER NICKEL LEAD: GOLD PLATED (FLASH) OVER NICKEL	2	PHOSPHOR BRONZE	CONTACT AREA: GOLD (0.1μm) OVER NICKEL LEAD: GOLD PLATED (FLASH) OVER NICKEL
1	LCP	BEIGE UL94V-0	1	LCP	BEIGE UL94V-0

- NOTES
- 1 SMT LEAD-COPLANARITY: 0.1 MAX.
 - 2 THIS PRODUCT HAS NO POLARITY TO MOUNT ON THE RECOMMENDED LAND PATTERN.

TO	
PCK	

DRAWING NO.	EDC3-151985	PART NO.	FX10A-120S-SV
SCALE	4 : 1	CODE NO.	CL570-0242-1
UNITS	mm		

DESIGNED	CHECKED	APPROVED	RELEASED
<i>J. Sakada</i>	<i>M. Sakada</i>	<i>J. Sakada</i>	
99.10.18	99.10.18	99.10.18	