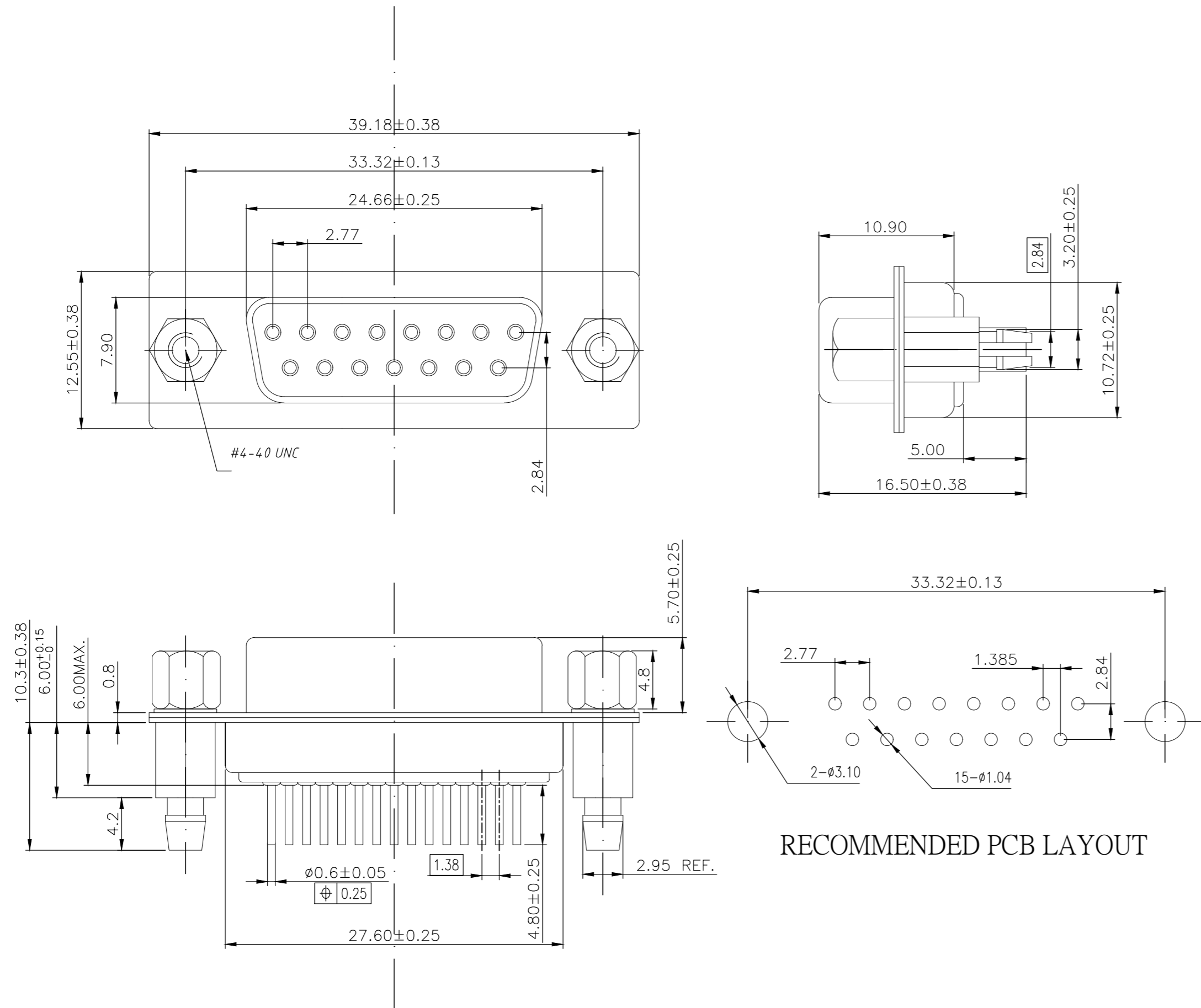


THIS DRAWING IS UNPUBLISHED. RELEASED FOR PUBLICATION
 © COPYRIGHT - By - ALL RIGHTS RESERVED.

REVISIONS				
P	LTR	DESCRIPTION	DATE	APVD
E		REVISED PER ECO-18-001882	13FEB2018	AP DG



NOTE:

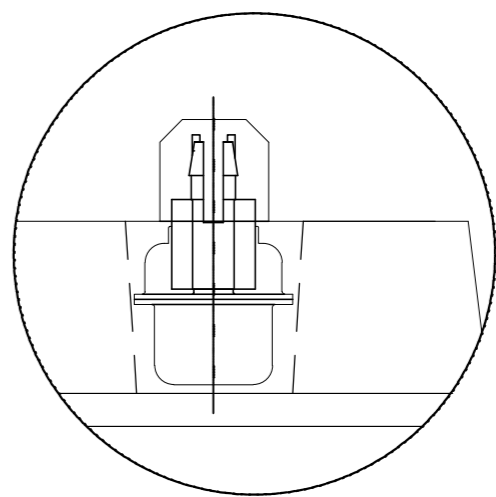
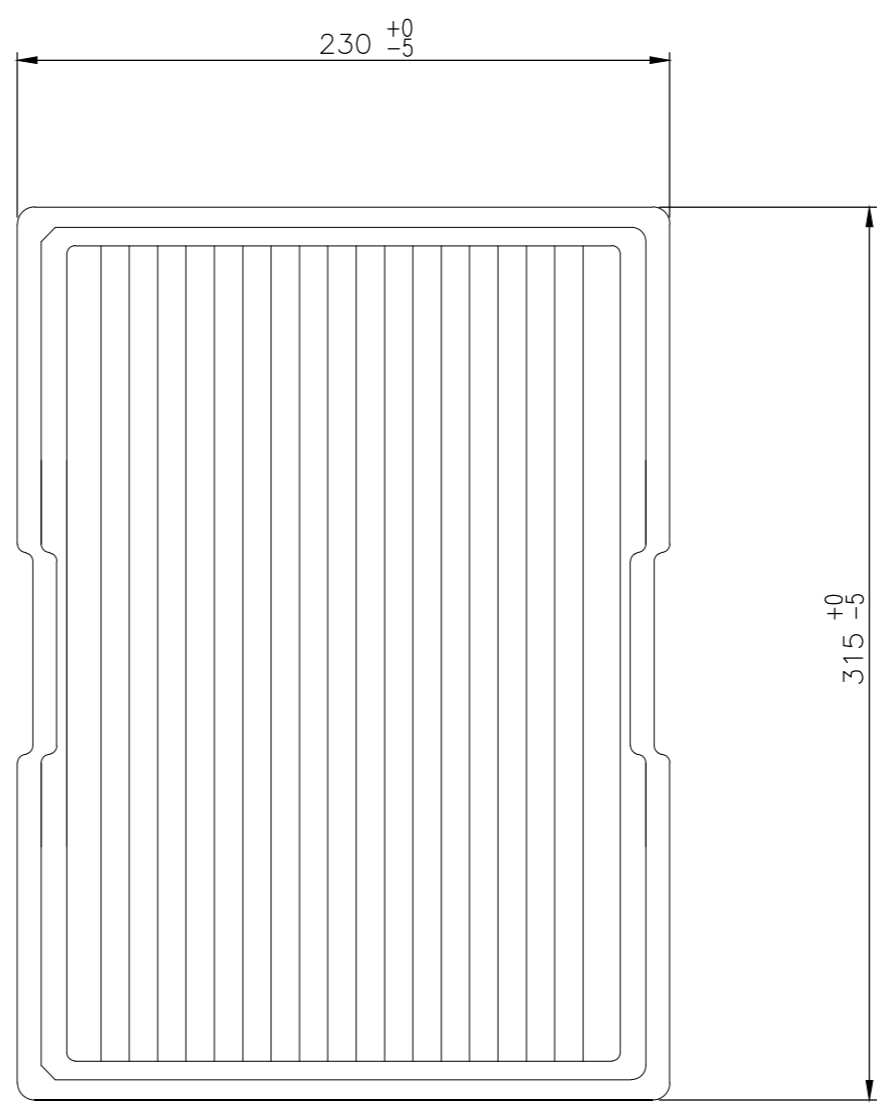
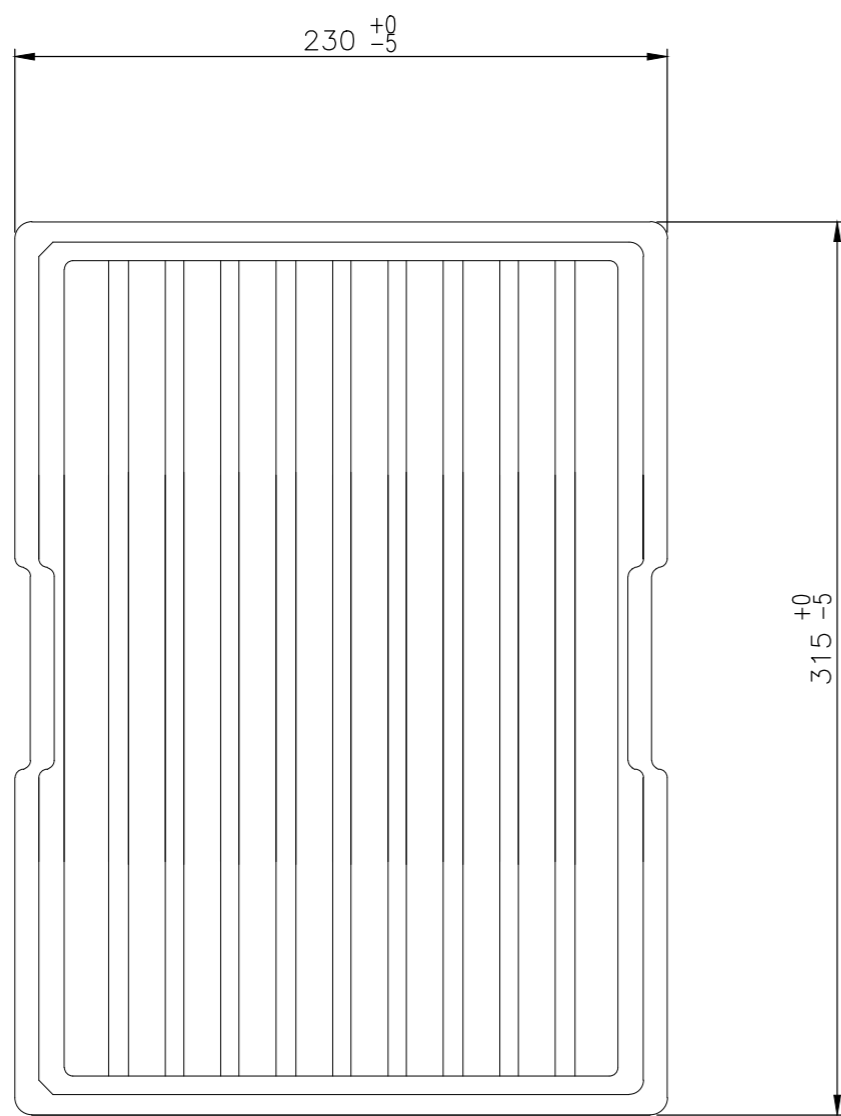
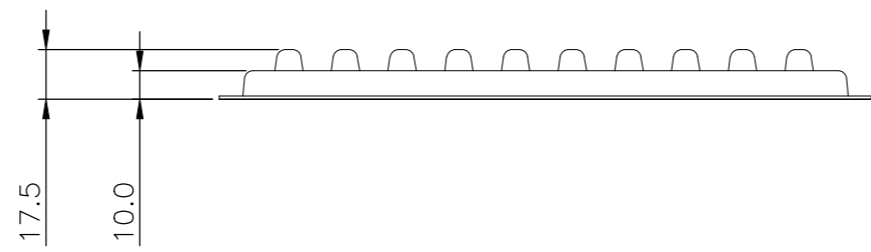
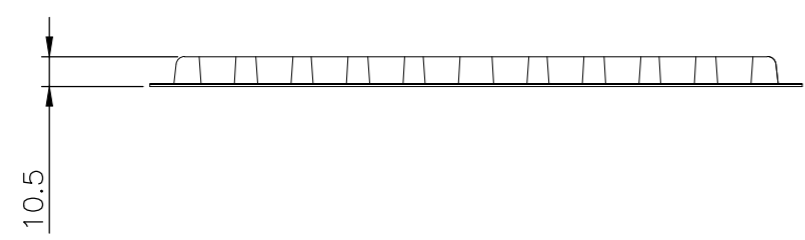
- MATERIAL:**
 - HOUSING: PBT WITH 20% GF UL 94 V-0, BLACK COLOR
 - CONTACTS: PHOSPHOR BRONZE.
 - SHELL: STEEL.
 - SCREW: BRASS.
 - SCREW LOCK: BRASS.
 - SCREW TORQUE: 5kgf-cm MAX.
- FINISH:**
 - CONTACTS: GOLD PLATED ON CONTACT AREA, 0.375µm [15µ"] MIN. MATTE TIN ON SOLDER TAIL 2.54µm [100µ"], WITH ENTIRE CONTACT UNDERPLATED 1.27µm [50µ"] MIN. NICKEL.
 - FRONT SHELL: 2.54µm [100µ"] MIN. NICKEL PLATED.
 - REAR SHELL: 1.27µm [50µ"] MIN NICKEL UNDERPLATE. 2.54µm [100µ"] MIN BRIGHT TIN PLATE
 - SCREW LOCK: 1.27µm [50µ"] MIN. NICKEL PLATED.
 - BOARDLOCK: 1.27µm [50µ"] MIN NICKEL UNDERPLATE. 1.27µm [50µ"] MIN MATTE TIN PLATE
- WAVE SOLDER CAPABLE TO 265°C PER TE TEST SPEC. 109-202, CONDITION B.**

2301840

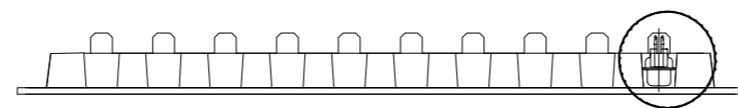
THIS DRAWING IS A CONTROLLED DOCUMENT.		DWN	AJITH PAI	06FEB2017	15w D skt W B/L & 4-40 s/lock 15u" gold		2301840-1
DIMENSIONS: mm		CHK	DAN GORENC	06FEB2017	DESCRIPTION		TE PART NO
TOLERANCES UNLESS OTHERWISE SPECIFIED:		APVD		06FEB2017			
0 PLC	± -	PRODUCT SPEC	108-130013				D-SUB VERTICAL 15P SKT CONNECTOR
1 PLC	± 0.25	APPLICATION SPEC			SIZE	CAGE CODE	DRAWING NO
2 PLC	± 0.15	MATERIAL		WEIGHT	A2	00779	C=2301840
3 PLC	± 0.10	FINISH		CUSTOMER DRAWING	SCALE	1:1	SHEET 1 of 3
4 PLC	± -						REV E
ANGLES	± -						

THIS DRAWING IS UNPUBLISHED. RELEASED FOR PUBLICATION
 © COPYRIGHT - By - ALL RIGHTS RESERVED.

REVISIONS				
P	LTR	DESCRIPTION	DATE	APVD
-	-	SEE SHEET 1	-	-



DETAIL A

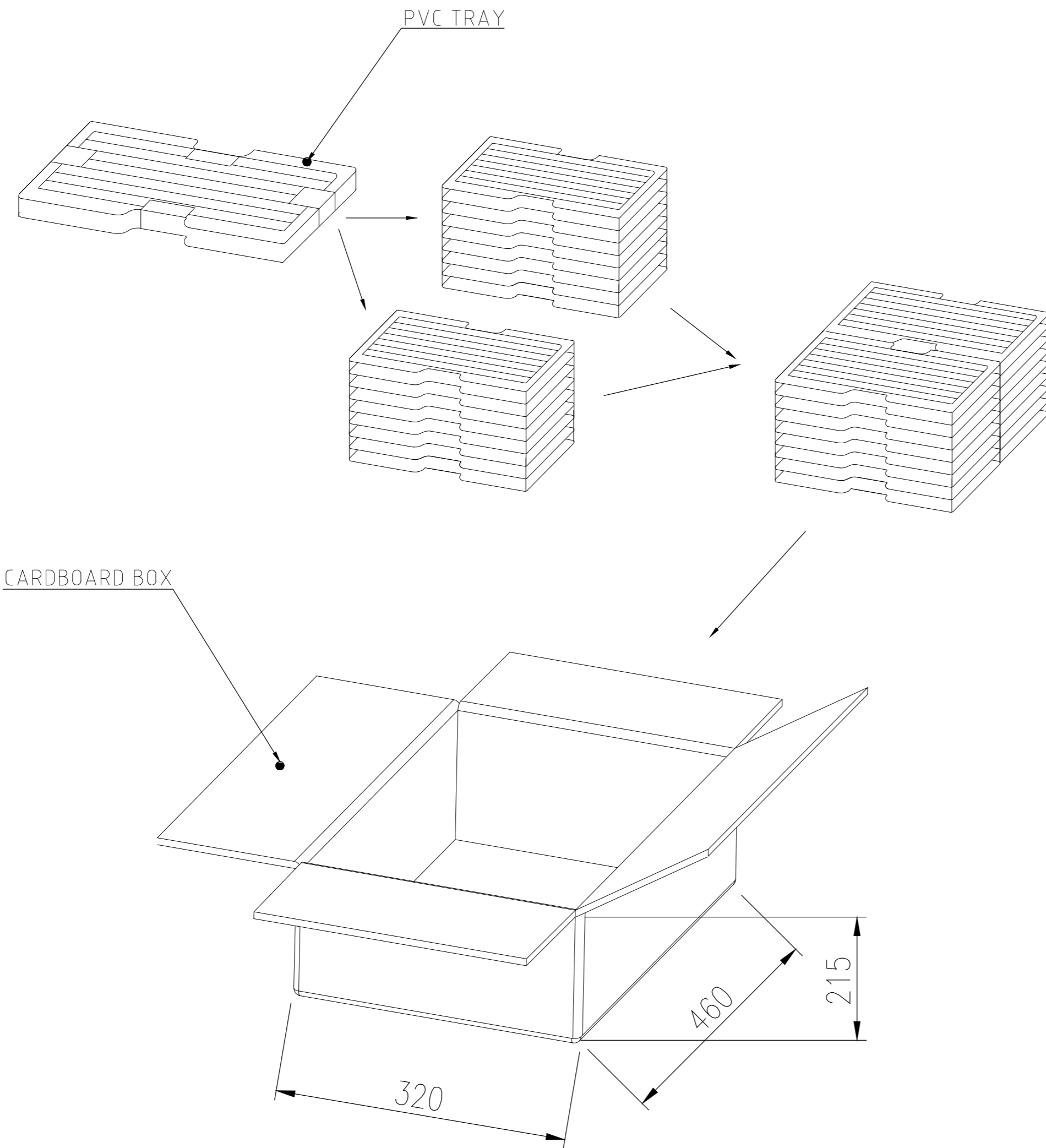


SEE DETAIL A

THIS DRAWING IS A CONTROLLED DOCUMENT.		DWN AJITH PAI 06FEB2017		
		CHK DAN GORENC 06FEB2017		
		APVD - 06FEB2017	NAME	
DIMENSIONS: mm		PRODUCT SPEC 108-130013	D-SUB VERTICAL 15P SKT CONNECTOR	
TOLERANCES UNLESS OTHERWISE SPECIFIED:		APPLICATION SPEC	SIZE A2	CAGE CODE 00779
0 PLC ± -		WEIGHT 0	DRAWING NO C=2301840	RESTRICTED TO -
1 PLC ± 0.25				
2 PLC ± 0.15				
3 PLC ± 0.10				
4 PLC ± -				
ANGLES ± -				
MATERIAL -		SCALE 1:1		
FINISH -		SHEET 2 of 3		
		REV E		
		CUSTOMER DRAWING		

THIS DRAWING IS UNPUBLISHED. RELEASED FOR PUBLICATION
 © COPYRIGHT - By - ALL RIGHTS RESERVED.

REVISIONS					
P	LTR	DESCRIPTION	DATE	DWN	APVD
-	-	SEE SHEET 1	-	-	-



16.579	14.000	70	20	1400	2301840-1
GROSS WEIGHT (Kg)	NET WEIGHT (Kg)	PCS/TRAY	TRAYS /CARTON	QUANTITY Pcs	PART NUMBER

THIS DRAWING IS A CONTROLLED DOCUMENT.		DWN AJITH PAI 06FEB2017			
DIMENSIONS: mm		CHK DAN GORENC 06FEB2017			
TOLERANCES UNLESS OTHERWISE SPECIFIED:		APVD - 06FEB2017	NAME		
0 PLC ± -		PRODUCT SPEC	D-SUB VERTICAL		
1 PLC ± 0.25		108-130013	15P SKT CONNECTOR		
2 PLC ± 0.15		APPLICATION SPEC	-		
3 PLC ± 0.10		-	SIZE	CAGE CODE	DRAWING NO
4 PLC ± -		WEIGHT	A2	00779	C=2301840
ANGLES ± -		CUSTOMER DRAWING	SCALE	SHEET	REV
FINISH		0	1:1	3 of 3	E
-					

2301840