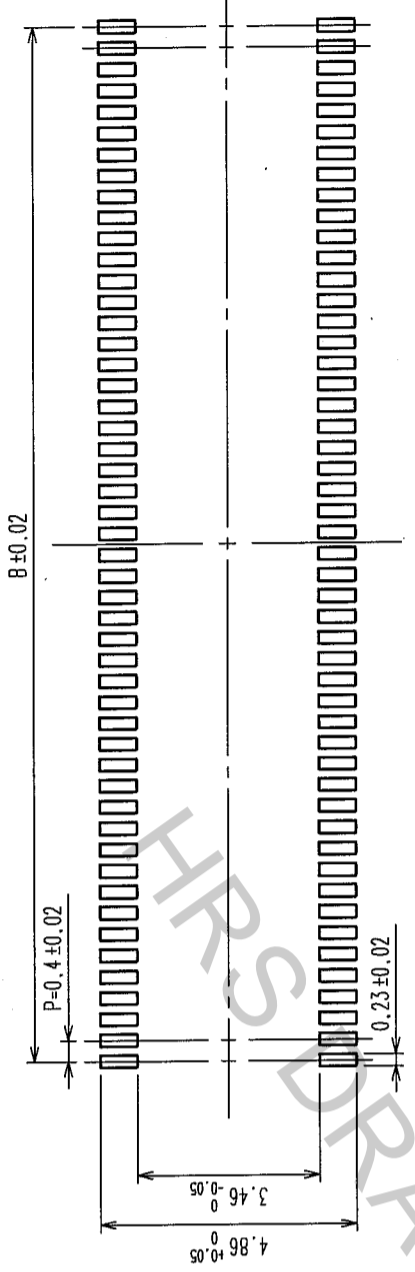
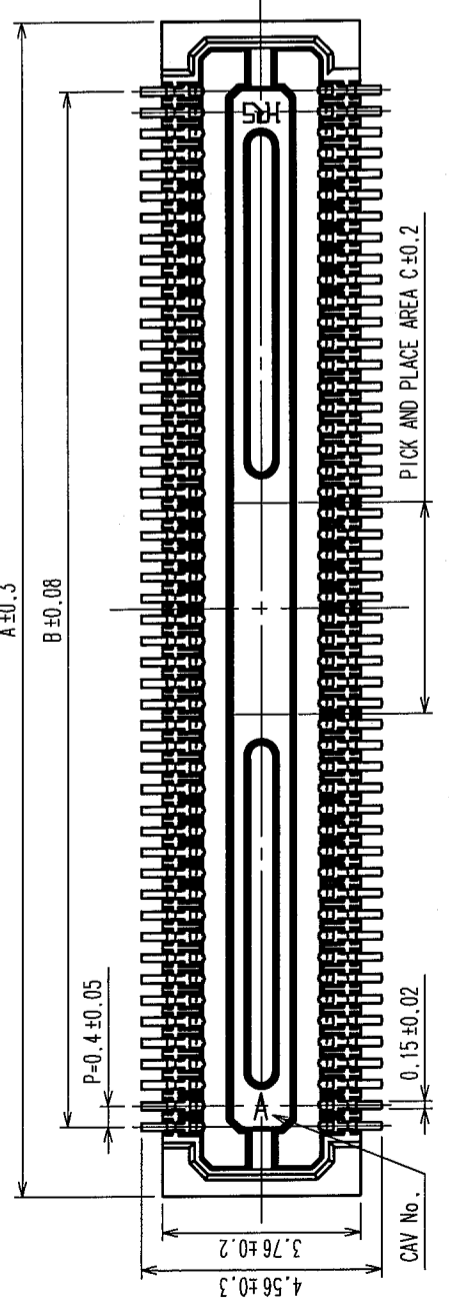
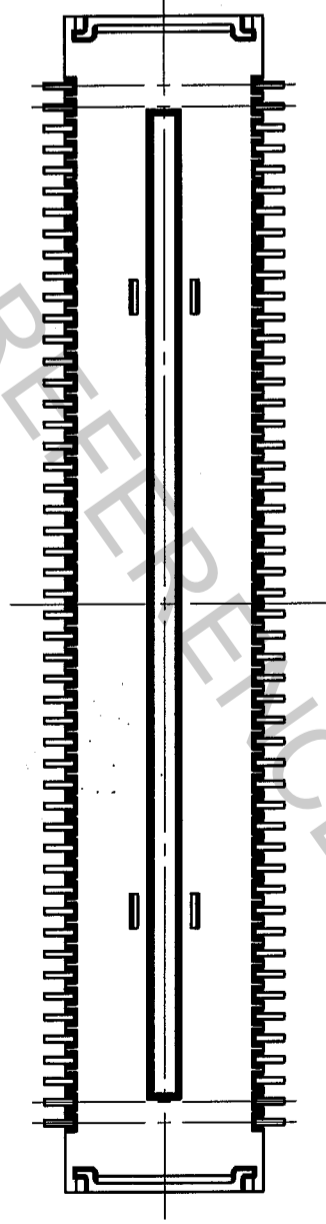
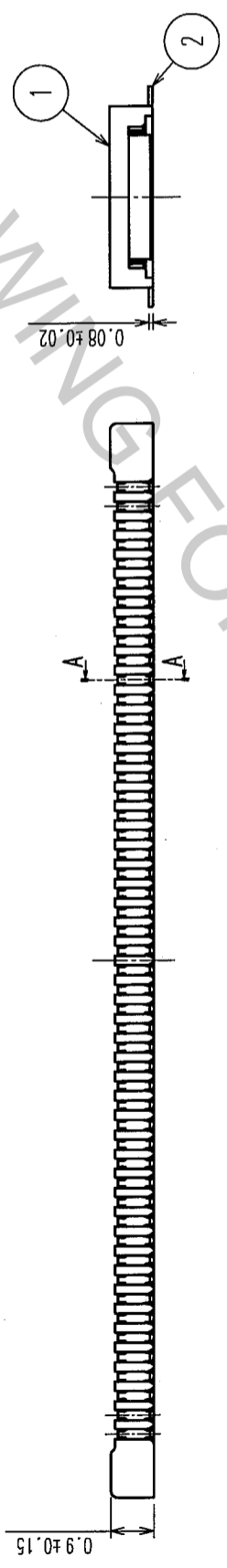


COUNT	DESCRIPTION OF REVISIONS	BY	CHKD	DATE	COUNT	DESCRIPTION OF REVISIONS	BY	CHKD	DATE

RECOMMENDED PATTERN



RECOMMENDED SOLDER PASTE: THICKNESS 120μm



PART NO.	CODE NO.	A	B	C
DF30FC-80DS-0.4V(82)	CL684-1116-3-82	18.22	15.6	3.2
DF30FC-70DS-0.4V(82)	CL684-1115-0-82	16.22	13.6	2.8
DF30FC-60DS-0.4V(82)	CL684-1082-3-82	14.22	11.6	2.4
DF30FC-50DS-0.4V(82)	CL684-1114-8-82	12.22	9.6	2
DF30FC-40DS-0.4V(82)	CL684-1078-6-82	10.22	7.6	1.6
DF30FC-34DS-0.4V(82)	CL684-1113-5-82	9.02	6.4	1.36
DF30FC-30DS-0.4V(82)	CL684-1112-2-82	8.22	5.6	1.2
DF30FC-24DS-0.4V(82)	CL684-1111-0-82	7.02	4.4	1.2
DF30FC-22DS-0.4V(82)	CL684-1110-7-82	6.62	4.0	1.2
DF30FC-20DS-0.4V(82)	CL684-1109-8-82	6.22	3.6	1.2

- NOTE 1: ALL LEADS CO-PLANARITY SHALL BE 0.1 MAX.
 2. PER REEL : 1000 CONNECTORS.
 3. AT THE BEGINNING OF THE REEL, 100 MM AT MIN SHALL BE EMPTY POCKETS.
 AT THE END OF THE REEL, 160 MM AT MIN SHALL BE EMPTY POCKETS.
 4 NO CAVITY ON THE CONNECTORS LESS THAN 24 POS.
 5 CONTACT PLATING SPECIFICATIONS.
 CONTACT AREA : GOLD 0.05μm MIN.
 SMT LEAD : GOLD 0.02μm MIN.
 UNDERPLATING : NICKEL 1μm MIN.
 (SURFACE : SEALING)

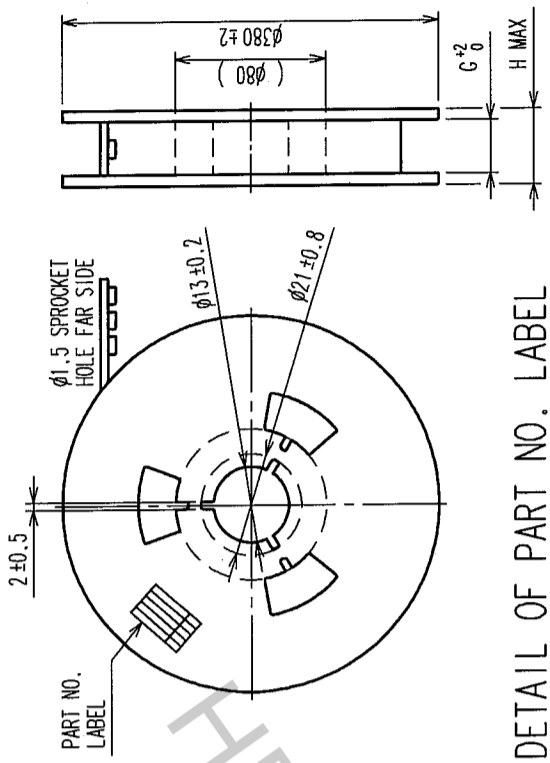
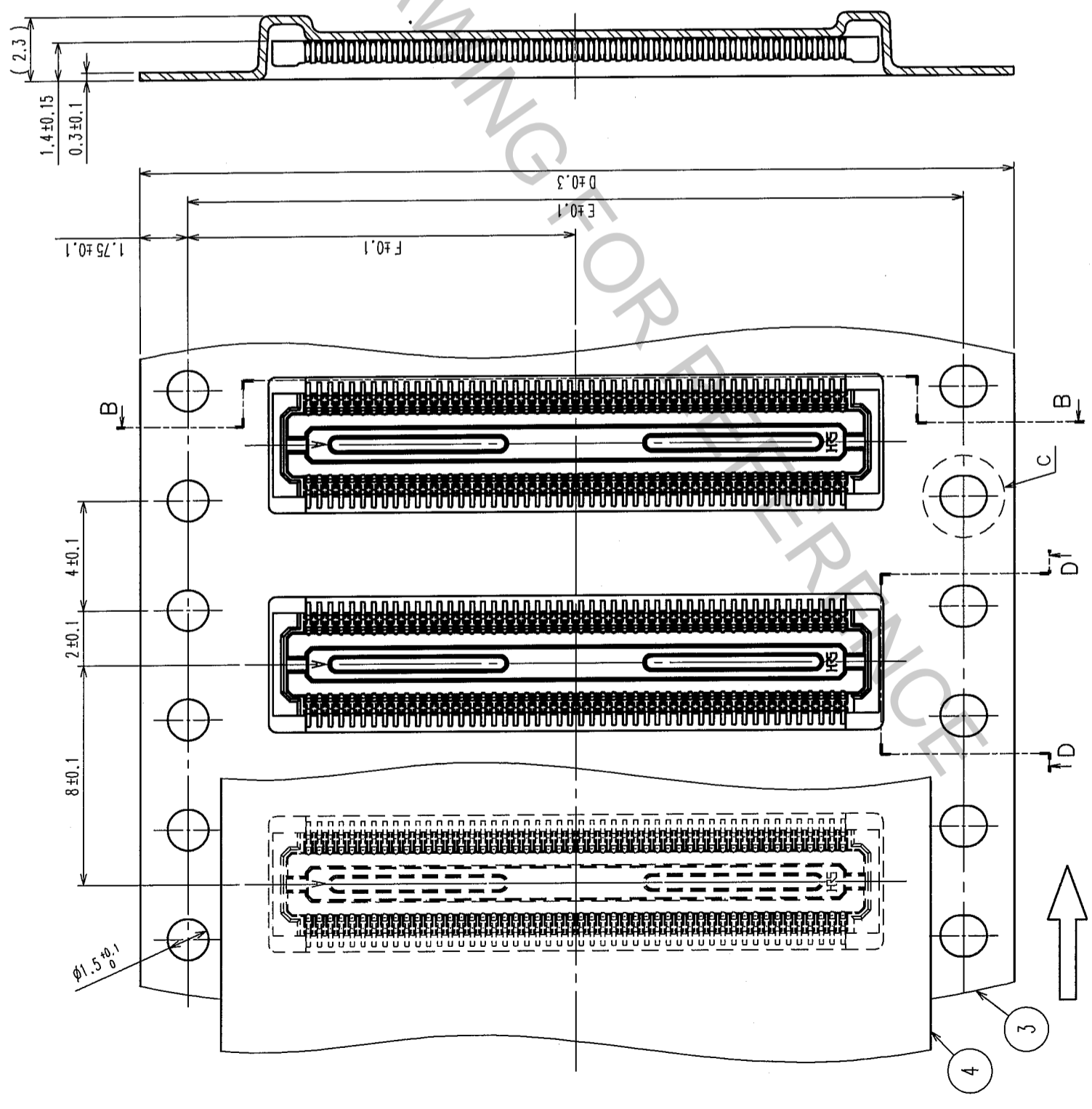
2	PHOSPHOR BRONZE	5	4	POLYESTER	CLEAR (COVER TAPE)
1	LCP	UL94V-0, BLACK	3	PS	CLEAR (EMBOSSED CARRIER TAPE)
NO.	MATERIAL	FINISH, REMARKS	NO.	MATERIAL	FINISH, REMARKS
CODE NO. (OLD)					
DRAWN		DESIGNED		CHECKED	APPROVED
T. NISHI		K. MITSUKAWA		Y. Oga	
040825		04.08.25		04.08.25	
PART NO. DF30FC-*DS-0.4V(82)					
DRAWING NO. EDC3-303556-05					
SCALE FREE					
UNITS mm					
HIROSE ELECTRIC CO., LTD			CL684-***-*-82		
FORM NO. 229			FORM NO. 229		

TO

COUNT	DESCRIPTION OF REVISIONS	BY	CHKD	DATE	COUNT	DESCRIPTION OF REVISIONS	BY	CHKD	DATE
△									
△									
△									

A B C D E F

STYLE AND DIMENSION OF REEL (FREE)

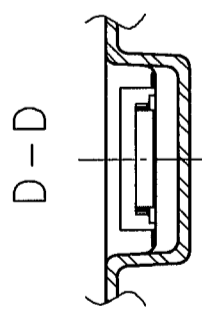
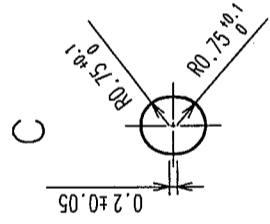


DETAIL OF PART NO. LABEL

SUPPLIER	HIROSE ELECTRIC CO., LTD.
QUANTITY	1000個
PART NO.	DF30FC-DS-0.4V(82)
CODE NO.	CL684-1113-5-82
DATE OF MANUFACTURE	1982.08.25
生産月日	年 月 日
国番	CL684-1113-5-82
品名	DF30FC-DS-0.4V(82)
納入数量	1000個
納入者	ヒロセ電機(株)

PART NO.	D	E	F	G	H
DF30FC-80DS-0.4V(82)	32	28.4	14.2	32.4	38.4
DF30FC-70DS-0.4V(82)	24	-	11.5	24.4	30.4
DF30FC-60DS-0.4V(82)	24	-	11.5	24.4	30.4
DF30FC-50DS-0.4V(82)	24	-	11.5	24.4	30.4
DF30FC-40DS-0.4V(82)	24	-	11.5	24.4	30.4
DF30FC-34DS-0.4V(82)	16	-	7.5	16.4	22.4
DF30FC-30DS-0.4V(82)	16	-	7.5	16.4	22.4
DF30FC-24DS-0.4V(82)	16	-	7.5	16.4	22.4
DF30FC-22DS-0.4V(82)	16	-	7.5	16.4	22.4
DF30FC-20DS-0.4V(82)	16	-	7.5	16.4	22.4

CODE NO. (OLD)		DESIGNED	K. Nishida	CHECKED	K. Sasaki	APPROVED	J. Oka	RELEASED	
DRAWING NO.	EDC3-303556-05	DRAWN	T. NISHI	DATE	04-08-25	DATE	04-08-25	DATE	04-08-25
SCALE	5 : 1	PART NO.	DF30FC-DS-0.4V(82)						
UNITS	mm	CODE NO.	CL684-1113-5-82						



TO	
----	--