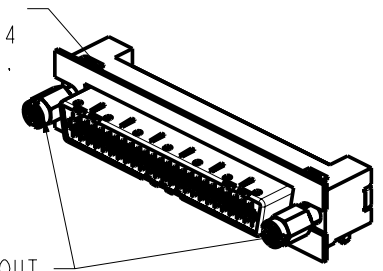
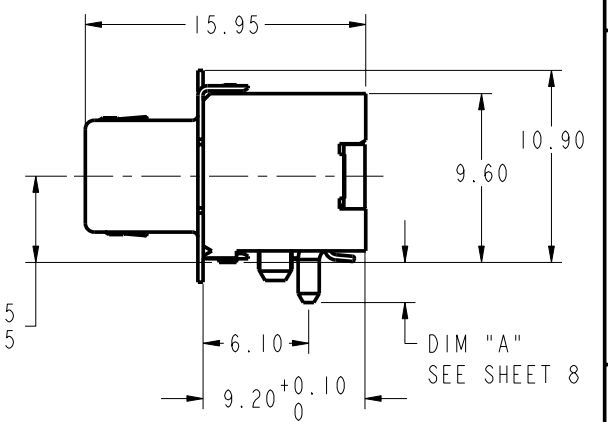
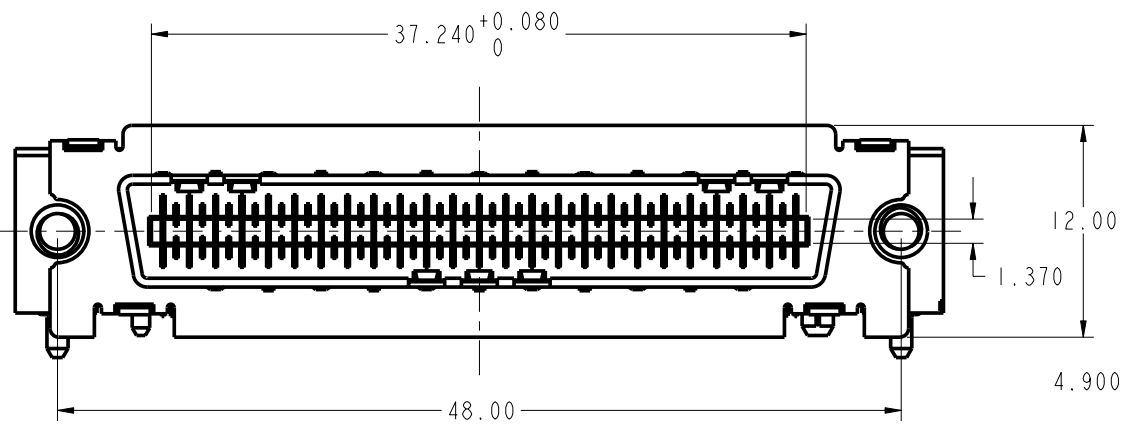


AVAILABLE WITH OR WITHOUT
EMI GASKET. P/N 10019396-004
CAN BE PURCHASED SEPARATELY.



AVAILABLE WITH OR WITHOUT
THREADED STAND-OFFS.
P/N 10009634-001 CAN BE
PURCHASED SEPARATELY.
2 REQUIRED PER CONNECTOR.



DIM "A"
SEE SHEET 8



Copyright FCI.

rev	ecn no	dr	date
A	V03-0845	GIP	2003/08/13
B	V03-0967	DAI	2003/09/29
C	V03-1232	DAI	2004/01/20
D	V04-0460	DAI	2004/06/08
E	V04-0830	TAB	2004/08/18
F	V04-0063	TAB	2005/02/15
G	106-0123	HVN	2006/07/26

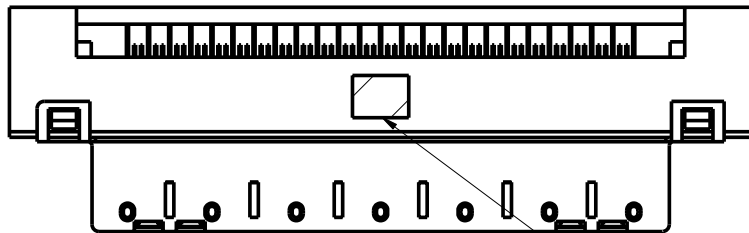
www.fciconnect.com		surface 3.2 ASME Y14.5	tolerance std ASME Y14.5	projection MM
Dr	G.PETERS	2003/08/13	ANGULAR	size A4
Eng	D.BRANN	2003/08/13	LINEAR	Scale 5:2
Chr	HIRAN V N	2006/07/26	0° ±2°	ECN 106-0123
Appr	HIRAN V N	2006/07/26	0.X ±.3 0.XX ±.10 0.XXX ±.050	Spec ref -
		12X R/A THUMBSCREW RECPT. ASSEMBLY w/7 KEY SLOTS		dng no 10009626 Rev. G
catalog no		CUSTOMER		sheet 1 of 8

REV F - 2006-04-17

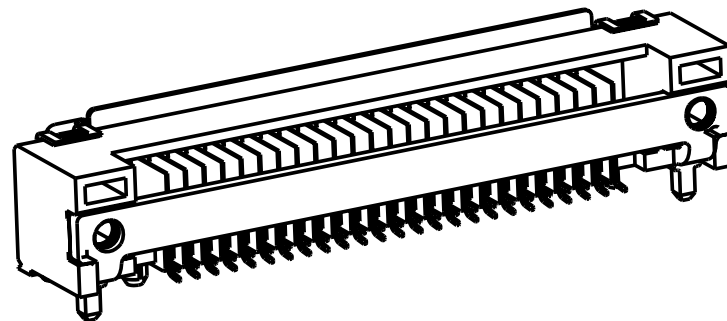
PDM: Rev:G

STATUS:Released

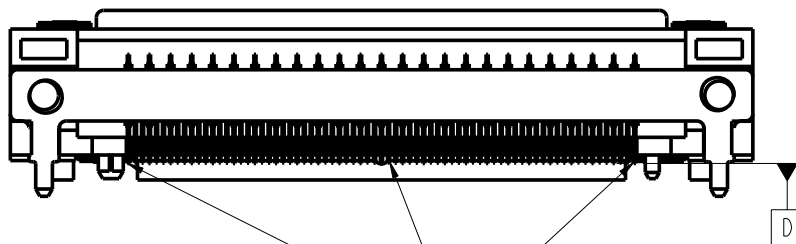
Printed: Jan 28, 2008



CROSS HATCH AREA IS FOR VACUUM PICK & PLACE, REF. ONLY.



SCALE 2:1



0.13 D

COPLANARITY MEASUREMENT TO BE TAKEN AT BOTTOM MOST POINT ON CONTACT TAILS
COPLANARITY ZONE IS BELOW DATUM D

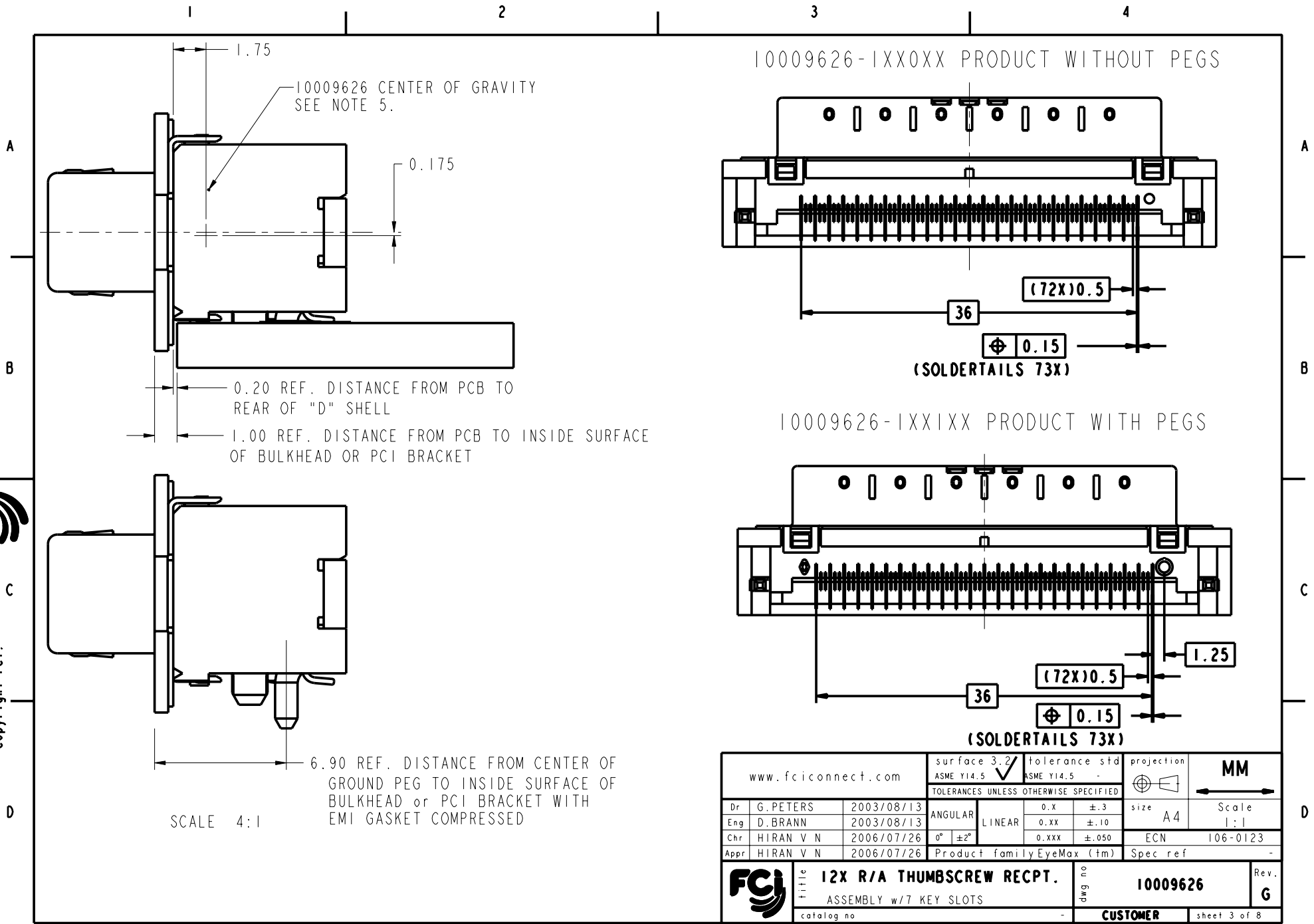


Copyright FCI.

www.fciconnect.com			surface 3.2 ASME Y14.5 ✓	tolerance std ASME Y14.5 -	projection ⊕	MM ↔
			TOLERANCES UNLESS OTHERWISE SPECIFIED		size A4	Scale 2:1
Dr	G.PETERS	2003/08/13	ANGULAR	0.X ±.3		
Eng	D.BRANN	2003/08/13	LINEAR	0.XX ±.10		
Chr	HIRAN V N	2006/07/26	0° ±2°	0.XXX ±.050	ECN	106-0123
Appr	HIRAN V N	2006/07/26	Product family EyeMax (tm)		Spec ref	-
12X R/A THUMBSCREW RECPT. ASSEMBLY w/7 KEY SLOTS			dwg no	10009626		Rev. G
catalog no			-		CUSTOMER	sheet 2 of 8



Copyright FCI.



SCALE 4:1

www.fciconnect.com			surface 3.2 ASME Y14.5	tolerance std ASME Y14.5	projection MM
			TOLERANCES UNLESS OTHERWISE SPECIFIED		Scale 1:1
Dr	G.PETERS	2003/08/13	ANGULAR	0.X ±.3	size A4
Eng	D.BRANN	2003/08/13	LINEAR	0.XX ±.10	ECN 106-0123
Chr	HIRAN V N	2006/07/26	0° ±2°	0.XXX ±.050	Spec ref -
Appr	HIRAN V N	2006/07/26	Product family EyeMax (tm)		
12X R/A THUMBSCREW RECPT. ASSEMBLY w/7 KEY SLOTS			10009626 CUSTOMER		Rev. G
catalog no			sheet 3 of 8		

REV F - 2006-04-17

PDM: Rev:G

STATUS:Released

Printed: Jan 28, 2008



Copyright FCI.

A

B

C

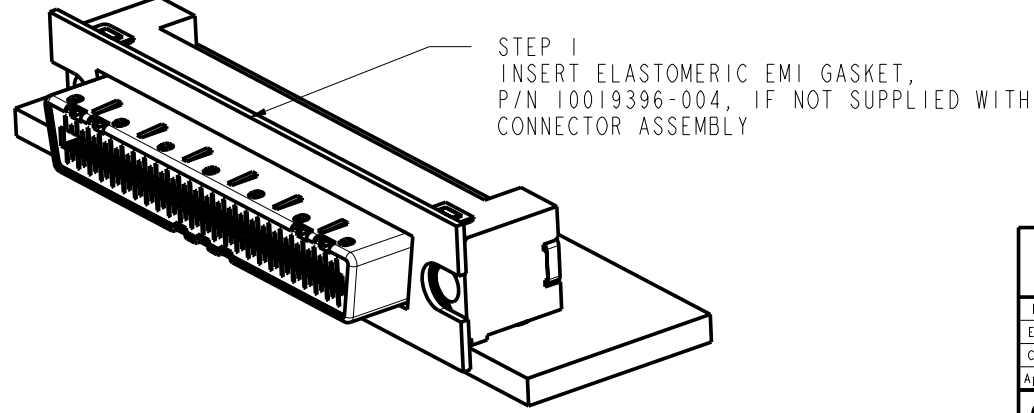
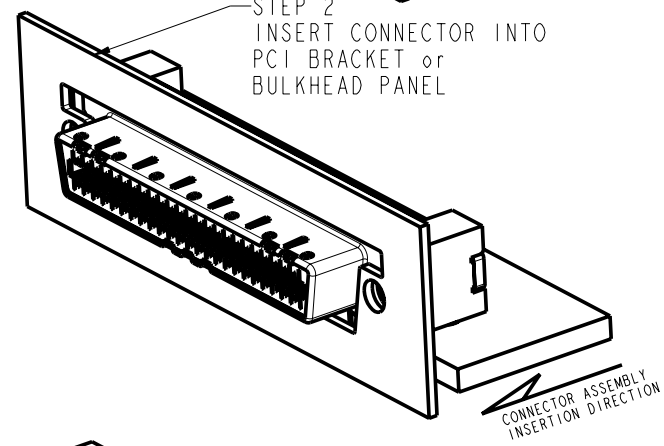
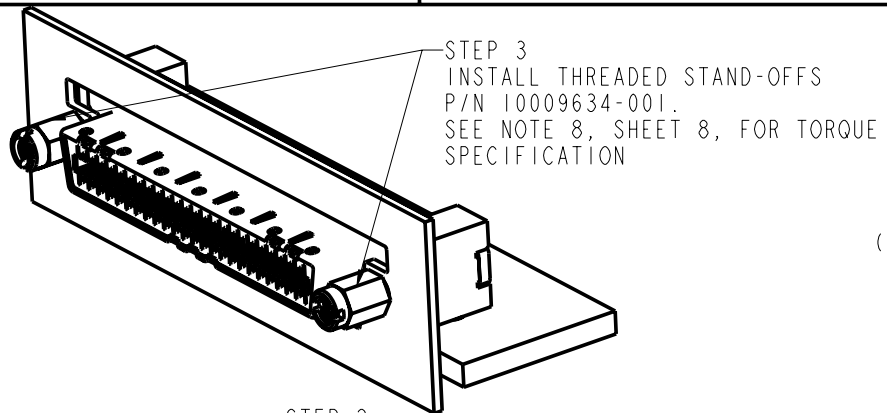
D

A

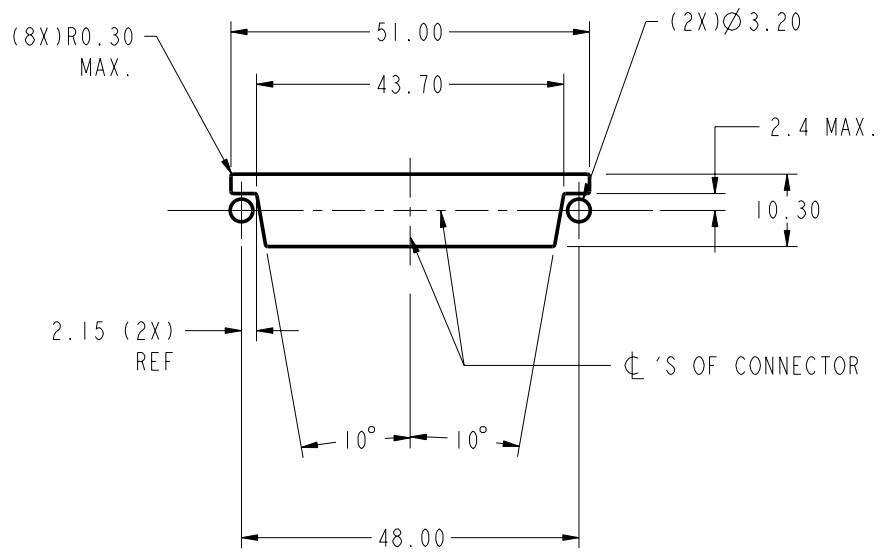
B

C

D



CONNECTOR APPLICATION TO PCI BRACKET/PANEL



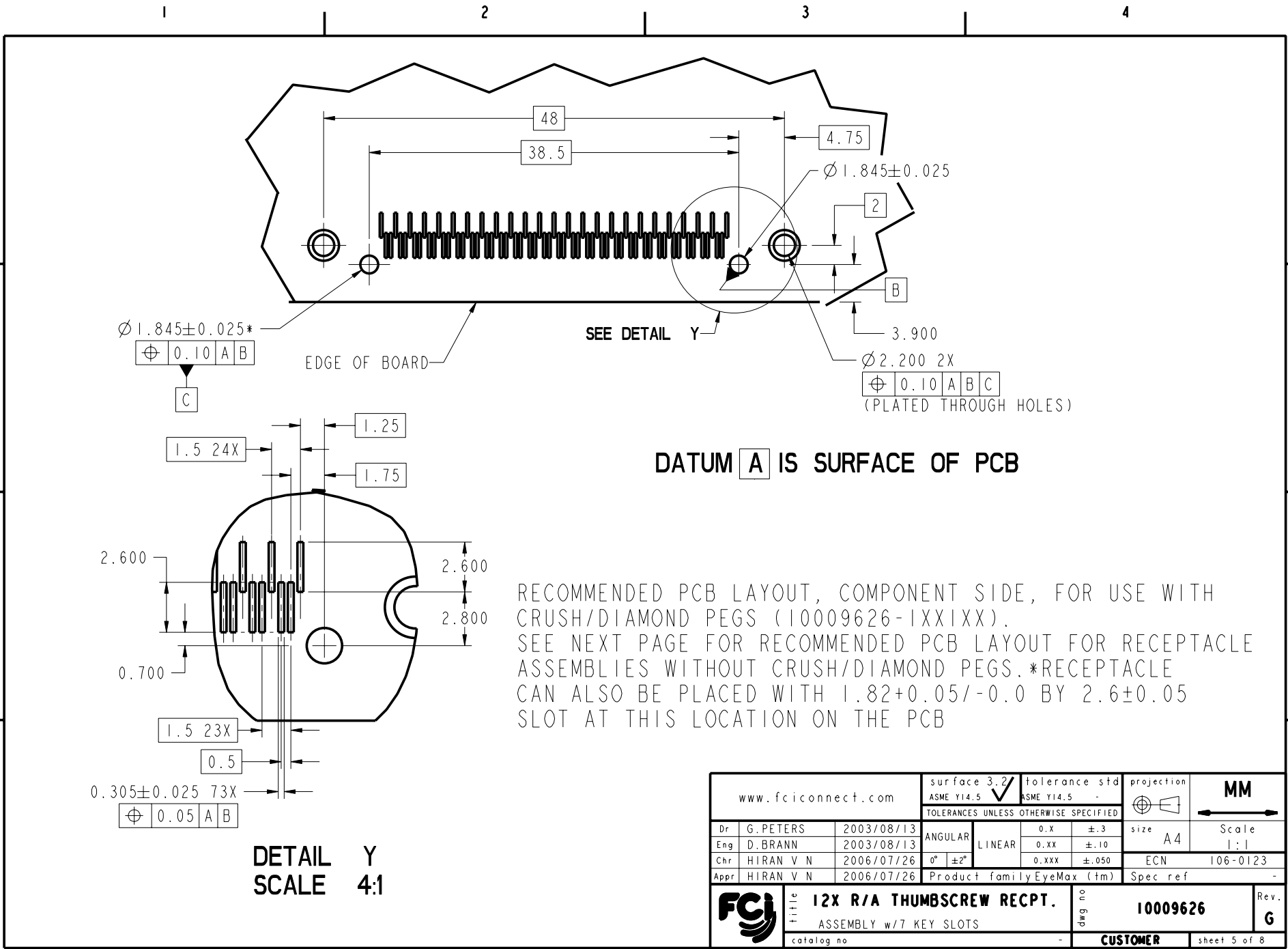
RECOMMENDED PANEL CUTOUT

www.fciconnect.com		surface 3.2 ASME Y14.5	tolerance std ASME Y14.5	projection MM	size A4	Scale 1:1
		TOLERANCES UNLESS OTHERWISE SPECIFIED			ECN 106-0123	
Dr	G.PETERS	2003/08/13	ANGULAR	0.X ±.3	Spec ref -	
Eng	D.BRANN	2003/08/13	LINEAR	0.XX ±.10		
Chr	HIRAN V N	2006/07/26	0° ±2°	0.XXX ±.050		
Appr	HIRAN V N	2006/07/26	Product family EyeMax (tm)			
FCI		12X R/A THUMBSCREW RECPT. ASSEMBLY w/7 KEY SLOTS		dwg no	10009626	Rev. G
		catalog no		CUSTOMER		sheet 4 of 8

REV F - 2006-04-17



Copyright FCI.



www.fciconnect.com		surface 3.2 ASME Y14.5	tolerance std ASME Y14.5	projection MM
		TOLERANCES UNLESS OTHERWISE SPECIFIED		
Dr	G.PETERS	2003/08/13	ANGULAR	0.X ±.3
Eng	D.BRANN	2003/08/13	LINEAR	0.XX ±.10
Chr	HIRAN V N	2006/07/26	0° ±2°	0.XXX ±.050
Appr	HIRAN V N	2006/07/26	Product family	EyeMax (tm)
FCI		12X R/A THUMBSCREW RECPT. ASSEMBLY w/7 KEY SLOTS		size A4
catalog no		-		Scale 1:1
dwg no		10009626		ECN 106-0123
-		CUSTOMER		Spec ref -
-		-		Rev. G
-		-		sheet 5 of 8

REV F - 2006-04-17

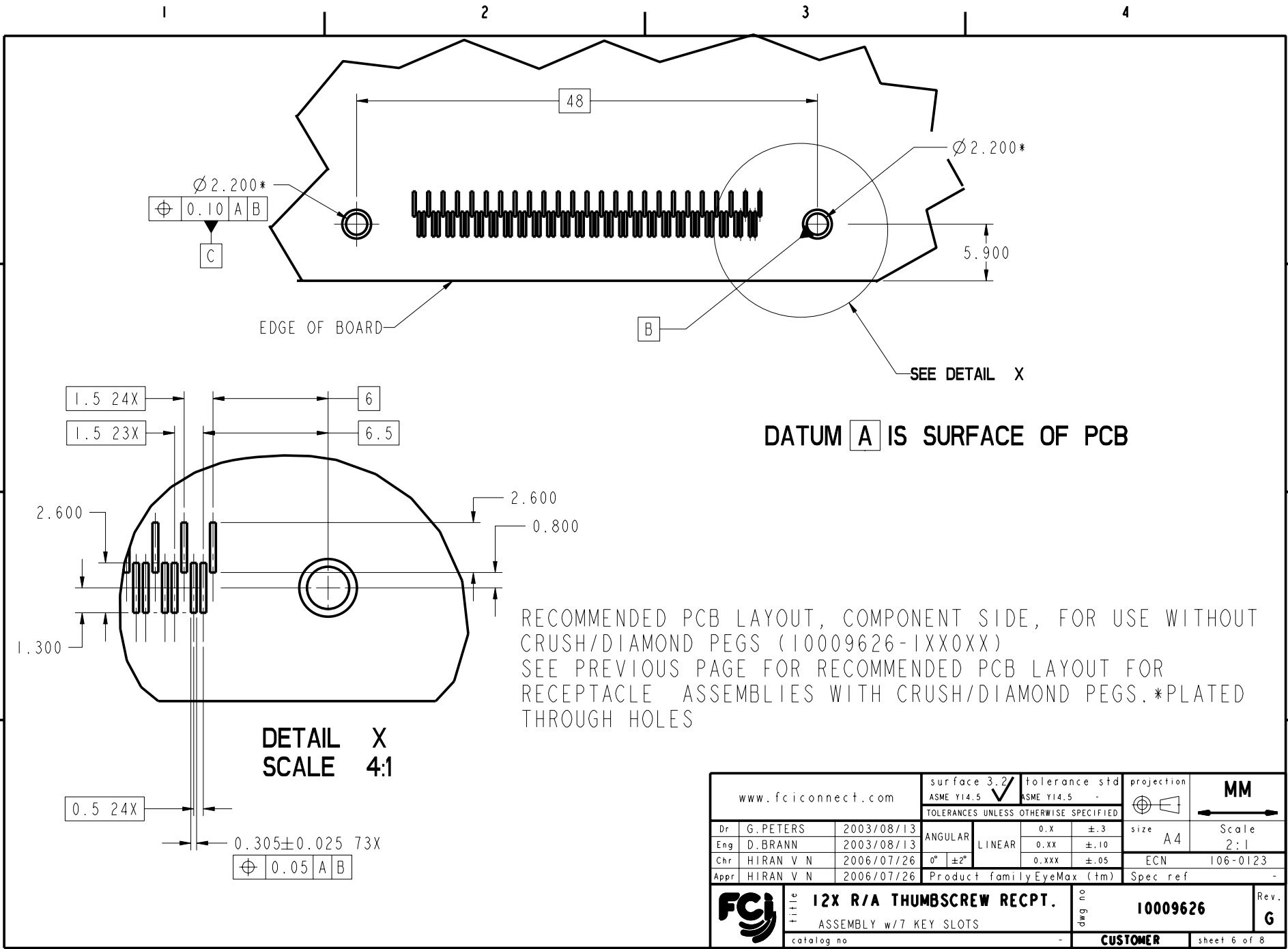
PDM: Rev:G

STATUS:Released

Printed: Jan 28, 2008



Copyright FCI.



DATUM A IS SURFACE OF PCB

RECOMMENDED PCB LAYOUT, COMPONENT SIDE, FOR USE WITHOUT CRUSH/DIAMOND PEGS (10009626-1XX0XX)
 SEE PREVIOUS PAGE FOR RECOMMENDED PCB LAYOUT FOR RECEPTACLE ASSEMBLIES WITH CRUSH/DIAMOND PEGS.*PLATED THROUGH HOLES

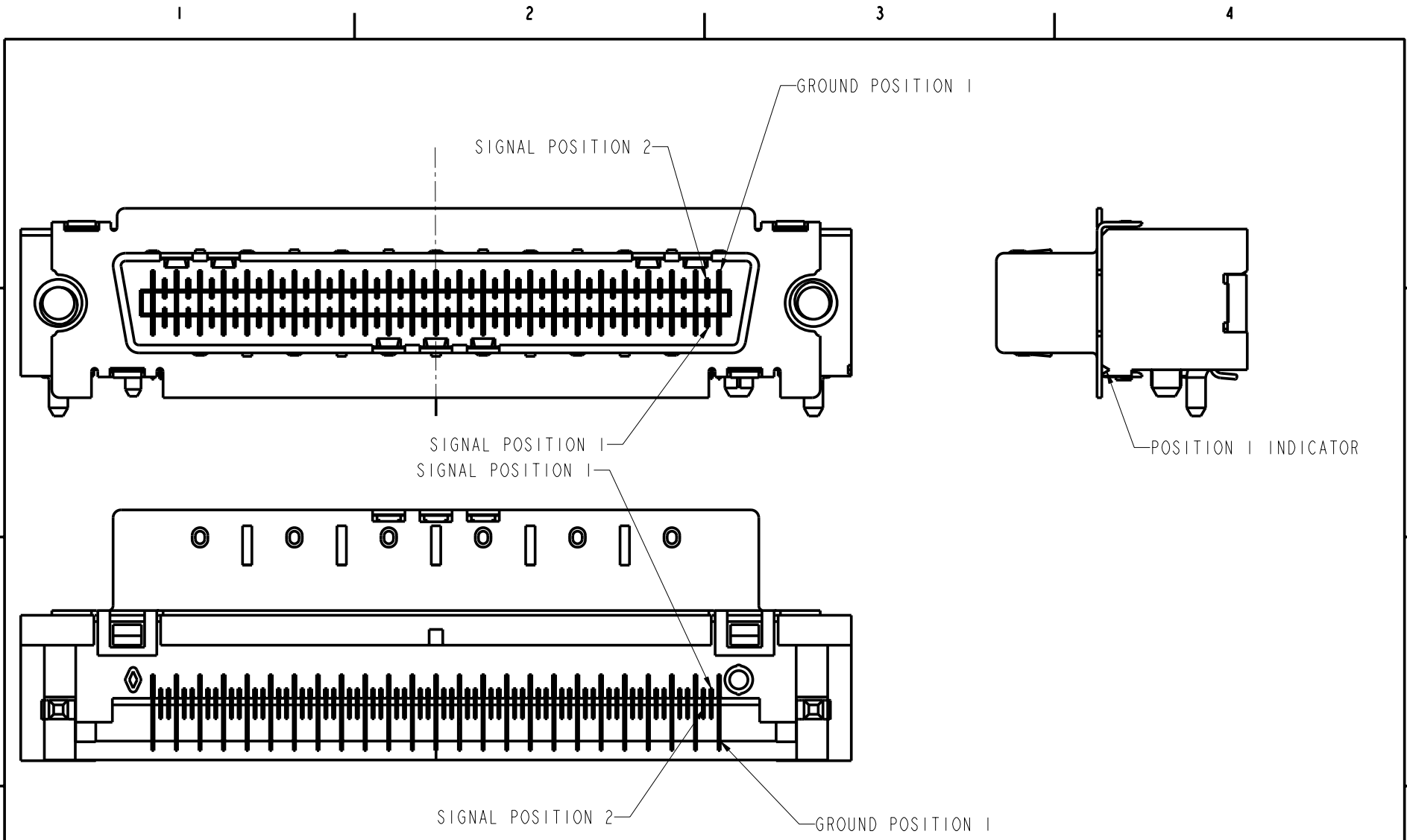
DETAIL X
SCALE 4:1

www.fciconnect.com		surface 3.2 ASME Y14.5 ✓	tolerance std ASME Y14.5 -	projection MM
		TOLERANCES UNLESS OTHERWISE SPECIFIED		size A4
Dr	G.PETERS	2003/08/13	ANGULAR	0.X ±.3
Eng	D.BRANN	2003/08/13	LINEAR	0.XX ±.10
Chr	HIRAN V N	2006/07/26	0° ±2°	0.XXX ±.05
Appr	HIRAN V N	2006/07/26	Product family EyeMax (tm)	
FCI		12X R/A THUMBSCREW RECPT. ASSEMBLY w/7 KEY SLOTS		10009626
catalog no		CUSTOMER		Rev. G
				sheet 6 of 8

REV F - 2006-04-17



Copyright FCI.



www.fciconnect.com		surface 3.2 ASME Y14.5 ✓	tolerance std ASME Y14.5 -	projection ⊕	MM
		TOLERANCES UNLESS OTHERWISE SPECIFIED		size A4	Scale 3:1
Dr	G.PETERS	2003/08/13	ANGULAR	0.X ±.3	
Eng	D.BRANN	2003/08/13	LINEAR	0.XX ±.10	
Chr	HIRAN V N	2006/07/26	0° ±2°	0.XXX ±.050	ECN 106-0123
Appr	HIRAN V N	2006/07/26	Product family EyeMax (tm)		Spec ref -
FCI		12X R/A THUMBSCREW RECPT.		dwg no	10009626
		ASSEMBLY w/7 KEY SLOTS			Rev. G
		catalog no	- CUSTOMER		sheet 7 of 8

REV F - 2006-04-17

PDM: Rev:G

STATUS:Released

Printed: Jan 28, 2008

PRODUCT NUMBER

10009626-1XXXXX

CONNECTOR NOTES:

1. HOUSING MATERIAL: UL94 V-0 LCP RESIN.
SIGNAL PIN MATERIAL: COPPER ALLOY.
GROUND CONTACT MATERIAL: COPPER ALLOY.
 2. PLATING: LEAD FREE SOLDER TAILS 2μm (80μin) MIN MATTE TIN OVER 1.27μm (50μin) MIN NICKEL UNDERPLATE.
 3. P/N AND DATE CODE TO APPEAR ON THIS SURFACE.
 4. PRODUCT SPECIFICATION GS-12-209.
APPLICATION SPECIFICATION GS-20-025
 5. CONNECTOR WEIGHT = 11.06 grams
 6. PACKAGING SPECIFICATION GS-14-794. PACKAGING OF LEAD FREE PRODUCTS MEETS LABELING AND PACKAGING SPECIFICATION GS-14-920.
 7. MAXIMUM PANEL THICKNESS 1.70mm.
 8. MAXIMUM TORQUE 0.45 N-m (4 lbf-in).
- PCB NOTES:
9. ALL DIMENSIONS ARE BASIC UNLESS OTHERWISE SPECIFIED.
 10. ALL HOLE DIAMETERS ARE FINISHED HOLE SIZE
 11. MATES WITH EYEMAX® PLUG 58443 (WITHOUT PCB), 58638 (WITH UNEQUALIZED PCB) OR 10026694 (WITH EQUALIZED PCB).
 12. LEAD FREE PRODUCTS MEET EUROPEAN UNION DIRECTIVES AND OTHER COUNTRY REGULATIONS AS DESCRIBED IN GS-22-008.
 13. THE HOUSING WILL WITHSTAND EXPOSURE TO 260°C PEAK TEMPERATURE FOR 15 SECONDS IN A CONVECTION, INFRARED OR VAPOR PHASE REFLOW OVEN.

10009626-1XXXXXXYY

SOLDERTAIL PLATING
BLANK-TIN/LEAD
LF-LEAD FREE (SEE NOTE 2)

KEYING OPTIONS
0-NONE

PACKAGING
1-TAPE & REEL
2-TRAY
3-TAPE & REEL WITH THREADED STAND-OFFS INCLUDED (PACKAGED SEPARATELY). 2 PER CONNECTOR.
4-TRAY WITH THREADED STAND-OFFS INCLUDED (PACKAGED SEPARATELY). 2 PER CONNECTOR.

PEGS
0-NONE
1-CRUSH/DIAMOND PEGS

PCB THICKNESS
1-1.6mm
2-2.4mm
3-4.0mm

EMI GASKET
0- WITH GASKET
1- WITHOUT GASKET

GOLD OVER NICKEL IN CONTACT AREA



Copyright FCI.

PRODUCT NUMBER	BOARD THICKNESS	DIM A
10009626-1X1XXX	1.6mm	2.3mm
10009626-1X2XXX	2.4mm	3.1mm
10009626-1X3XXX	4.0mm	4.7mm

www.fciconnect.com		surface 3.2 ASME Y14.5	tolerance std ASME Y14.5	projection 	MM
		TOLERANCES UNLESS OTHERWISE SPECIFIED		size A4	Scale 1:1
Dr	G.PETERS	2003/08/13	ANGULAR	0.X ±.3	
Eng	D.BRANN	2003/08/13	LINEAR	0.XX ±.10	
Chr	HIRAN V N	2006/07/26	0° ±2°	0.XXX ±.050	ECN 106-0123
Appr	HIRAN V N	2006/07/26	Product family EyeMax (tm)		Spec ref -
		12X R/A THUMBSCREW RECPT. ASSEMBLY w/7 KEY SLOTS		dwg no 10009626	Rev. G
catalog no		CUSTOMER		sheet 8 of 8	