

THIS DRAWING IS UNPUBLISHED. RELEASED FOR PUBLICATION
 © COPYRIGHT - By - ALL RIGHTS RESERVED.

LOC	DIST	REVISIONS					
FT	0	P	LTR	DESCRIPTION	DATE	DWN	APVD
		C		REVISED PER ECO-12-023039	17FEB12	KH	MS

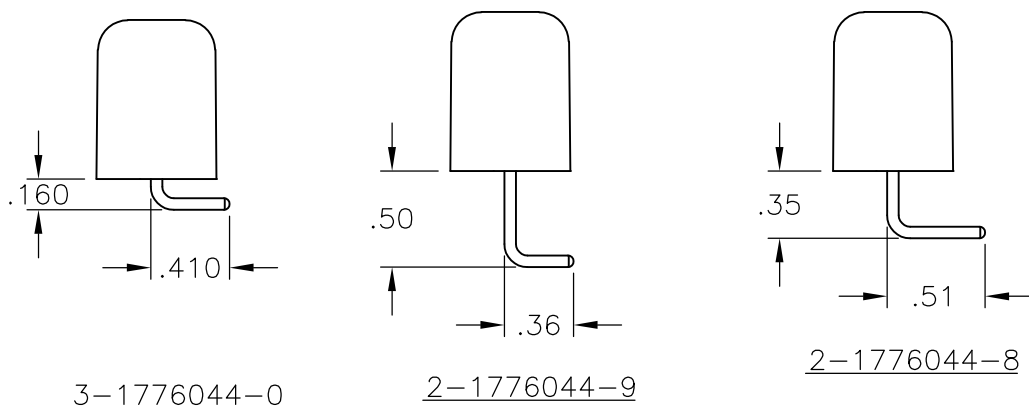
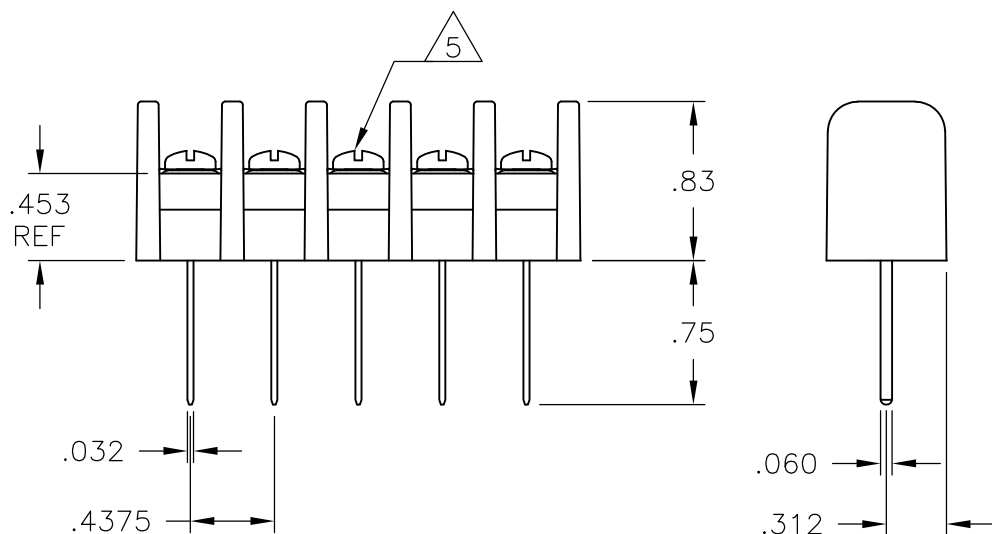
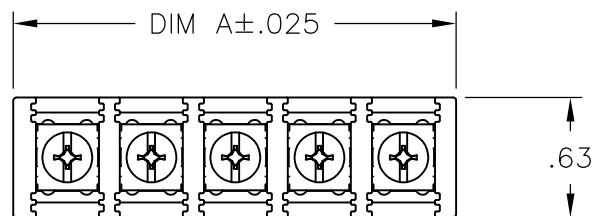
NOTES:

MATERIAL:
 HOUSING: NYLON, UL94V-0, BLACK.
 TERMINAL: BRASS, BRIGHT TIN PLATED.
 SCREWS: 6-32, STEEL, ZINC AND CHROMATE PLATED.

ELECTRICAL:
 MAXIMUM CURRENT: 20A.
 OPERATING VOLTAGE: 600V.
 WIRE RANGE: 12-22 AWG.

ENVIRONMENT:
 OPERATING TEMP.: -60°C TO +105°C.

- 1 SCREWS ARE STAINLESS STEEL.
- 2 SEE FIGURE.
- 3 PRELIMINARY PART NUMBER.
- 4 RECOMMENDED PCB HOLE DIA .077±.002
- 5 ALL SCREWS BOTTOMED, TORQUE 2 TO 4 IN-LBS



DIM A	NO. OF POS.	CATALOG NUMBER	PART NUMBER
4.062	9	SSB7FP091401	3-1776044-0
11.937	27	SSB7FP270701	2-1776044-7
11.500	26	SSB7FP260701	2-1776044-6
11.062	25	SSB7FP250701	2-1776044-5
10.625	24	SSB7FP240701	2-1776044-4
10.187	23	SSB7FP230701	2-1776044-3
9.750	22	SSB7FP220701	2-1776044-2
9.312	21	SSB7FP210701	2-1776044-1
8.875	20	SSB7FP200701	2-1776044-0
8.437	19	SSB7FP190701	1-1776044-9
8.000	18	SSB7FP180701	1-1776044-8
7.562	17	SSB7FP170701	1-1776044-7
7.125	16	SSB7FP160701	1-1776044-6
6.687	15	SSB7FP150701	1-1776044-5
6.250	14	SSB7FP140701	1-1776044-4
5.812	13	SSB7FP130701	1-1776044-3
5.375	12	SSB7FP120701	1-1776044-2
4.937	11	SSB7FP110701	1-1776044-1
4.500	10	SSB7FP100701	1-1776044-0
4.062	9	SSB7FP090701	1776044-9
3.625	8	SSB7FP081304	2-1776044-9
3.625	8	SSB7FP080701	1776044-8
3.187	7	SSB7FP070701	1776044-7
2.750	6	SSB7FP060701	1776044-6
2.312	5	SSB7FP050701	1776044-5
1.875	4	SSB7FP041503	2-1776044-8
1.875	4	SSB7FP040701	1776044-4
1.437	3	SSB7FP030701	1776044-3
1.000	2	SSB7FP020701	1776044-2

THIS DRAWING IS A CONTROLLED DOCUMENT.		DWN S SCHL GEL 4/12/04	STE TE Connectivity	
DIMENSIONS: INCHES		CHK S YODER 4/12/04		
TOLERANCES UNLESS OTHERWISE SPECIFIED:		APVD S YODER 4/12/04	NAME	
0 PLC ± -		PRODUCT SPEC	SSB7FPXX0701	
1 PLC ± -		APPLICATION SPEC	RESTRICTED TO	
2 PLC ± .02		WEIGHT -	SIZE A3	CAGE CODE 00779
3 PLC ± .010		CUSTOMER DRAWING	DRAWING NO	1776044
4 PLC ± -			SCALE	NTS
ANGLES ± 1°			REV	C
MATERIAL -	FINISH -			