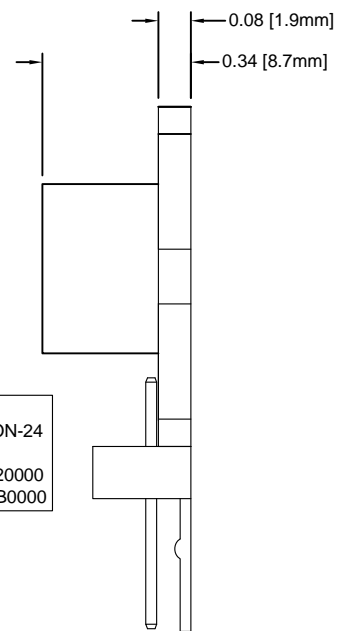
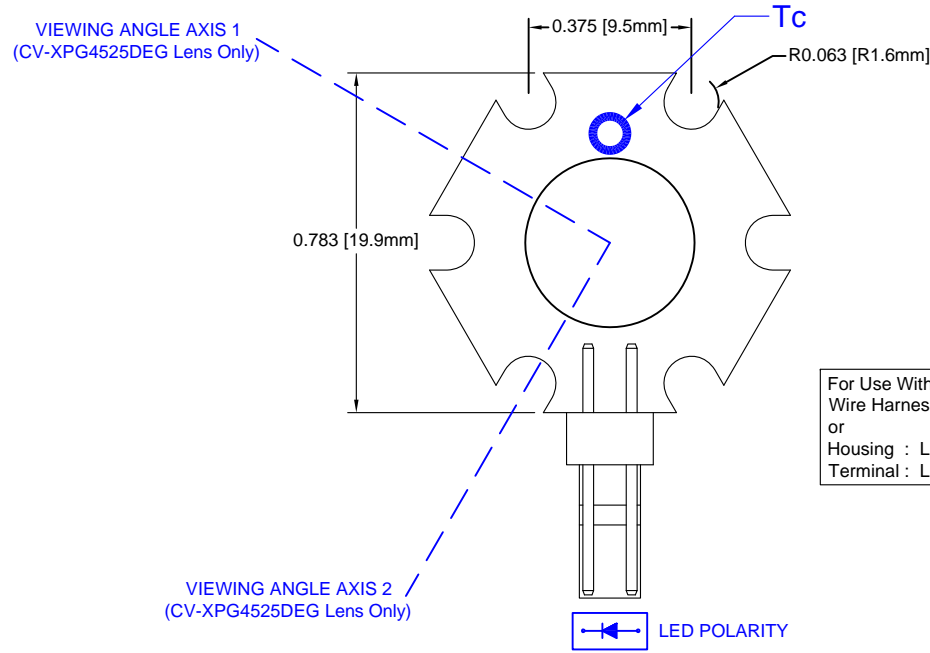


| REV. | DESCRIPTION | DATE | APPROVED |
|------|--------------------------------|----------|----------|
| G | Engineering Release | 10/03/12 | T. Y. |
| H | Engineering Update w/o Changes | 08/08/16 | J. C. |
| | | | |
| | | | |



For Use With:
 Wire Harness: BIVAR L2CON-24
 or
 Housing : LEOCO 2530S020000
 Terminal : LEOCO 2533TPB0000

| Part Number | CCT (K) | CRI | Typical Luminous Flux @ If = 350mA, Tc=70C (lm) | Typical Luminous Flux @ If = 600mA, Tc=100C (lm) | Typical DC Forward Current, Vf (V) | Viewing Angle, Axis 1 / Axis2 (°) |
|-------------|---------|-----|---|--|------------------------------------|-----------------------------------|
| L2-PGC1-F | 6500 | 75 | 97 | 152 | 2.9 ~ 3.0 | 85 |
| L2-PGC2-F | 6500 | 75 | 97 | 152 | 2.9 ~ 3.0 | 35 |
| L2-PGC3-F | 6500 | 75 | 97 | 152 | 2.9 ~ 3.0 | 45 / 25 |
| L2-PGN1-F | 4100 | 75 | 91 | 142 | 2.9 ~ 3.0 | 85 |
| L2-PGN2-F | 4100 | 75 | 91 | 142 | 2.9 ~ 3.0 | 35 |
| L2-PGN3-F | 4100 | 75 | 91 | 142 | 2.9 ~ 3.0 | 45 / 25 |
| L2-PGW1-F | 3100 | 80 | 80 | 125 | 2.9 ~ 3.0 | 85 |
| L2-PGW2-F | 3100 | 80 | 80 | 125 | 2.9 ~ 3.0 | 35 |
| L2-PGW3-F | 3100 | 80 | 80 | 125 | 2.9 ~ 3.0 | 45 / 25 |

| Part Number | CCT (K) | CRI | Typical Luminous Flux @ If = 1000mA, Tc=120C (lm) | Typical Luminous Flux @ If = 1500mA, Tc=100C (lm) | Typical DC Forward Current, Vf (V) | Viewing Angle, Axis 1 / Axis2 (°) |
|-------------|---------|-----|---|---|------------------------------------|-----------------------------------|
| L2-PGC1-F | 6500 | 75 | 216 | 660 | 3.2 ~ 3.3 | 85 |
| L2-PGC2-F | 6500 | 75 | 216 | 660 | 3.2 ~ 3.3 | 35 |
| L2-PGC3-F | 6500 | 75 | 216 | 660 | 3.2 ~ 3.3 | 45 / 25 |
| L2-PGN1-F | 4100 | 75 | 186 | 566 | 3.2 ~ 3.3 | 85 |
| L2-PGN2-F | 4100 | 75 | 186 | 566 | 3.2 ~ 3.3 | 35 |
| L2-PGN3-F | 4100 | 75 | 186 | 566 | 3.2 ~ 3.3 | 45 / 25 |
| L2-PGW1-F | 3100 | 80 | 155 | 472 | 3.2 ~ 3.3 | 85 |
| L2-PGW2-F | 3100 | 80 | 155 | 472 | 3.2 ~ 3.3 | 35 |
| L2-PGW3-F | 3100 | 80 | 155 | 472 | 3.2 ~ 3.3 | 45 / 25 |

| STANDARD TOLERANCE (UNLESS OTHERWISE SPECIFIED) | |
|---|---------|
| DECIMALS | ANGULAR |
| .X ± .1 | X° ± 1° |
| .XX ± .02 | |
| .XXX ± .010 | |

BIVAR[®]
 4 THOMAS, IRVINE, CA. 92618
 TEL: (949) 951-8808 FAX: (949) 951-3974

| | | | |
|---|--------------------------|-------------------------------------|----------------------------------|
| DESIGNED: B. Oliver | DATE: 11/02/11 | TITLE: L2 Starboard Light Engine | REVISION: H |
| CHECKED: M. Chen | DATE: 11/02/11 | PART NO: L2-PGXX-F | CAGE CODE : 32559 SHEET # 1 OF 1 |
| CAD GENERATED DOCUMENT. DO NOT MEASURE DRAWING. | | | |