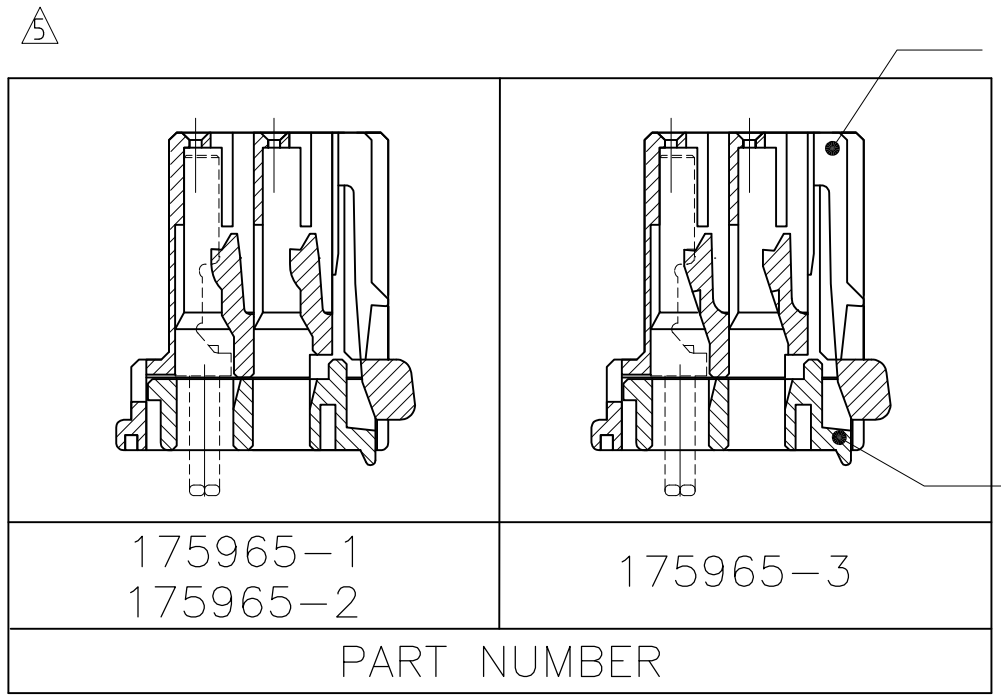
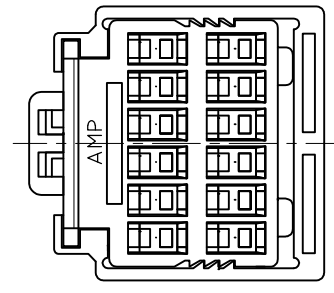
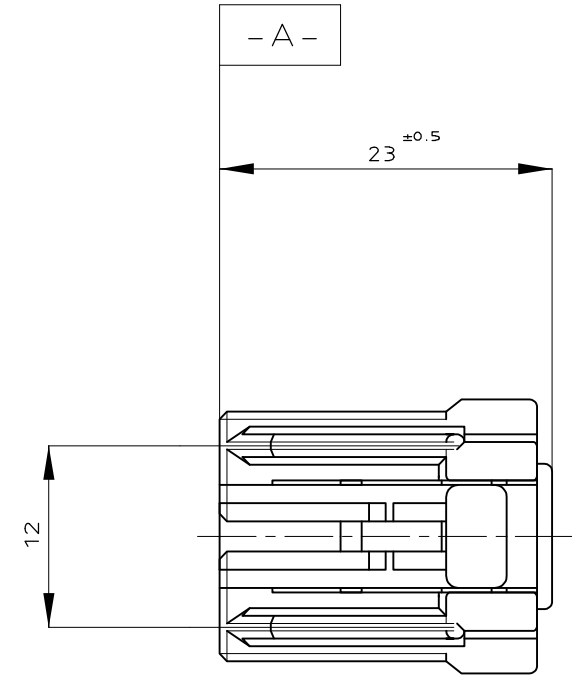
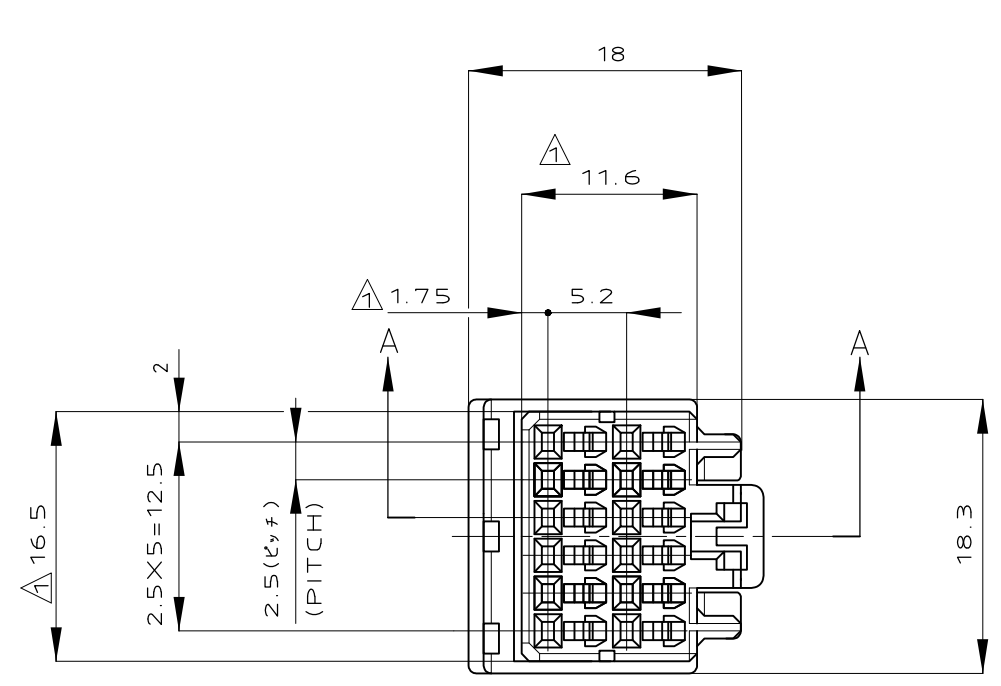


THIS DRAWING IS UNPUBLISHED. RELEASED FOR PUBLICATION
 © COPYRIGHT - By - ALL RIGHTS RESERVED.

LOC	DIST	REVISIONS					
J	-	P	LTR	DESCRIPTION	DATE	DWN	APVD
			B2	REVISED PER ECO-11-005140	28MAR11	RK	HMR



PLUG HOUSING

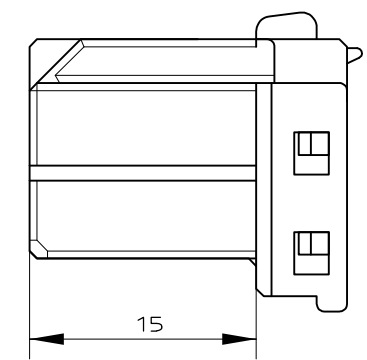
DOUBLE LOCK PLATE

175965-1
175965-2

175965-3

PART NUMBER

A-A



- △ MUST BE KEPT BETWEEN -Z- AND 2mm
- 2 THE MATING CAP HSG. PART NUMBER;175974,175976
- 3 APPLIED CONTACT PART NUMBER;173681
- 4 APPLICABLE PRODUCT SPEC NO.;108-5281
- △ THIS PLUG HOUSING HAVE TWO KINDS OF LANCE TYPE.
- △ -Z- 面より2mmの範囲で測定。
- 2 かん合相手ハウジング型番 ; 175974,175976
- 3 内装するリセプタクルコンタクト型番 ; 173681
- 4 適用製品規格番号 ; 108-5281
- △ 本プラグハウジングは2タイプのランス形状がある

BLACK	175965-3
BLACK	175965-2
WHITE	175965-1
COLOR	PART NUMBER

TOLERANCE UNLESS OTHERWISE SPECIFIED:
一般公差

0 < x ≤ 10	: ±0.2
10 < x ≤ 30	: ±0.25
30 < x ≤ 100	: ±0.3
ANGLE ; 角度	: ±3°

THIS DRAWING IS A CONTROLLED DOCUMENT.

DWN	K. SUZUKI	24OCT89
CHK	Y. MATSUSAKA	19DEC89
APVD	M. NOGUCHI	26DEC89
PRODUCT SPEC	108-5281	
APPLICATION SPEC	取付適用規格	
WEIGHT	3.2 g	

STE TE Connectivity

NAME 名称: 040 SERIES MULTI-LOCK I/O CONNECTOR MK-II
 製品規格: 12POSITION PLUG HOUSING ASSEMBLY

SIZE	CAGE CODE	DRAWING NO	RESTRICTED TO
	A300779	C-175965	

CUSTOMER DRAWING SCALE 尺度 2:1 SHEET 1 OF 1 REV B2