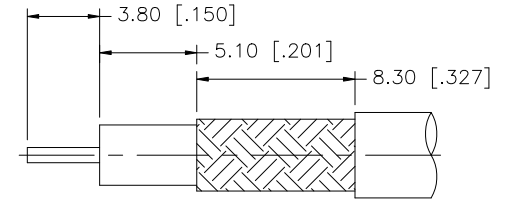
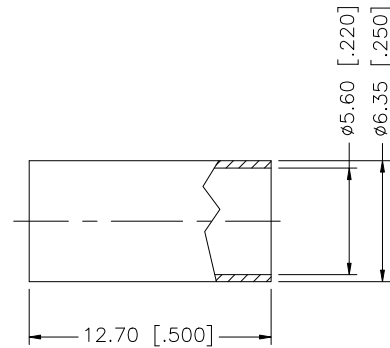
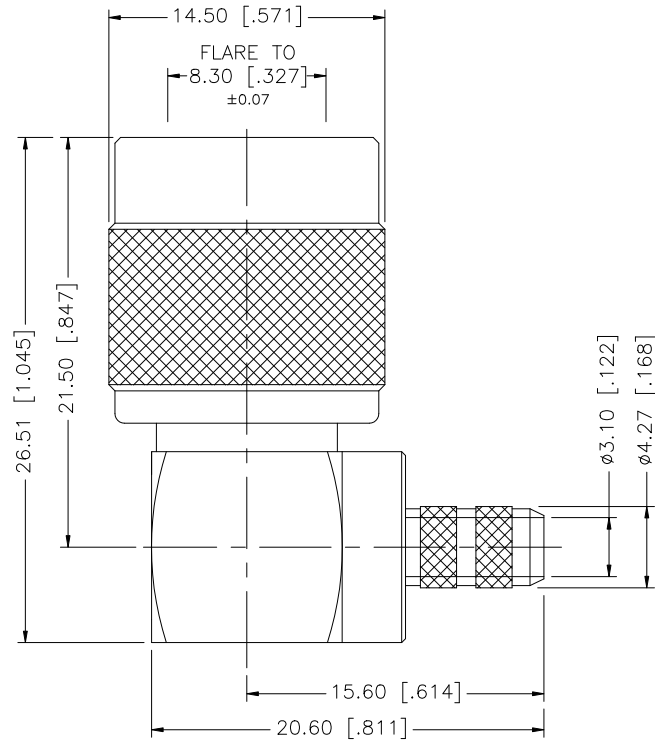
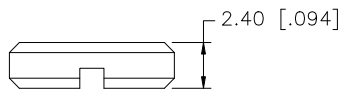


REV.	DATE	ECR NO.	DESCRIPTION
A	05/29/03	-	UPDATE DRAWING FORMAT.
B	01/04/09	-	ADD HEX CRIMP NOTES.



RECOMMENDED
CABLE STRIPPING DIM'S



NOTE:

1. CRIMPED FERRULE HEX CRIMP SIZE .213" [5.41].
2. CONTACT PIN TO SOLDER.

				UNLESS OTHERWISE SPECIFIED DIMENSIONS ARE IN MILLIMETERS. DIMENSIONS IN [] ARE IN INCHES AND FOR CUSTOMER REFERENCE ONLY.	APPROVALS	DATE	Amphenol Connex			
8				UNLESS OTHERWISE SPECIFIED TOLERANCES FOR MILLIMETERS ARE: 0.5 - 8mm ± 0.20mm 8 - 30mm ± 0.40mm 30 - 120mm ± 0.50mm UNLESS OTHERWISE SPECIFIED TOLERANCES FOR INCHES ARE: .020 - .315 = ± 0.007" .315 - 1.180 = ± 0.015" 1.180 - 4.724 = ± 0.020" DO NOT SCALE DRAWING	DRAWN	GRS				01/04/09
7					CHECKED					
6					ISSUED					
5	NUT	BRASS	NICKEL		1	SHEET	1 OF 1	Part No. 122430		
4	FERRULE	COPPER	NICKEL		1	CAD FILE	C:/122/122430.DWG	DWG. NO. 122430.DWG	REV. B	SIZE A
3	CONTACT PIN	BRASS	GOLD	1						
2	INSULATOR	PTFE	NATURAL	1						
1	BODY	BRASS	NICKEL	1						
DESCRIPTION				MATERIAL	FINISH	QTY				