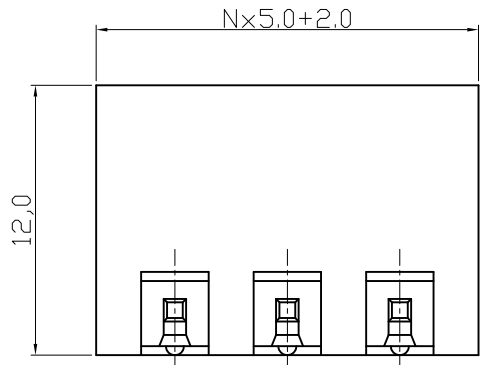


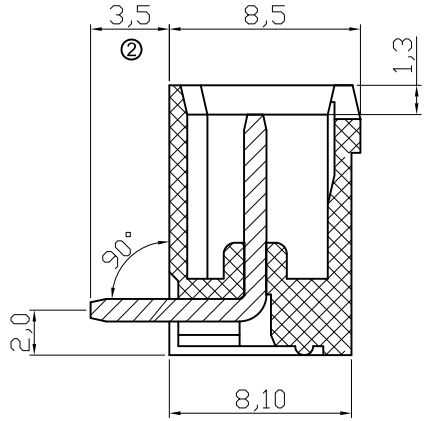
P.C.B LAYOUT

Material
 Terminal body
 (contact pin): Copper Tin plated
 Insulator (housing): Thermoplastic (UL94V-0)
 Green(RAL6018/T)

Electrical cULus/VDE/TUV
 Voltage rating: 300VAC/300VAC/300VAC
 Current rating: 20A/20A/20A
 Withstanding Voltage: 1.6KV/2.5KV/2.5KV
 Operating temperature: -40°C to +115°C
 Soldering temperature: 250°C±10°C/5 Sec
 Safety Approval:



N = Number of contacts



RoHS compliant
 Unit: mm

| Scale | Free | | | | | Date | Name | Customer-No. |
|-----------|-------|-----|-----------------------------|------------|------|----------|------------|--------------|
| TOLERANCE | | | | | | Drawn | 29.07.2009 | Dean |
| X. | ±0.50 | | | | | Approved | 09.12.2013 | Amy |
| X.X | ±0.30 | | | | | | | |
| X.XX | ±0.10 | ③ | Update the design | 09.12.2013 | Amy | | | |
| DIM | TOL | ② | Changed the pin tail length | 01.03.2010 | Rale | | | |
| X.° | ±1° | ① | Drawn | 29.07.2009 | Dean | | | |
| X.X° | ±X° | | | | | | | |
| Angle | TOL | Id. | Modification | Date | Name | Replace | Sheet | |

ASSMANN WSW-No.
A-TB500-OQxxCH

Drawing-No.
ASS 3603 CO rev03