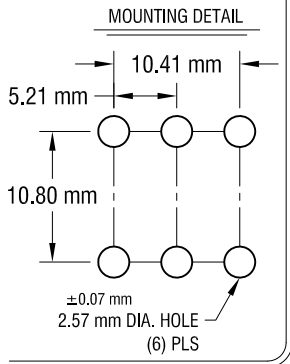
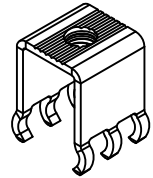
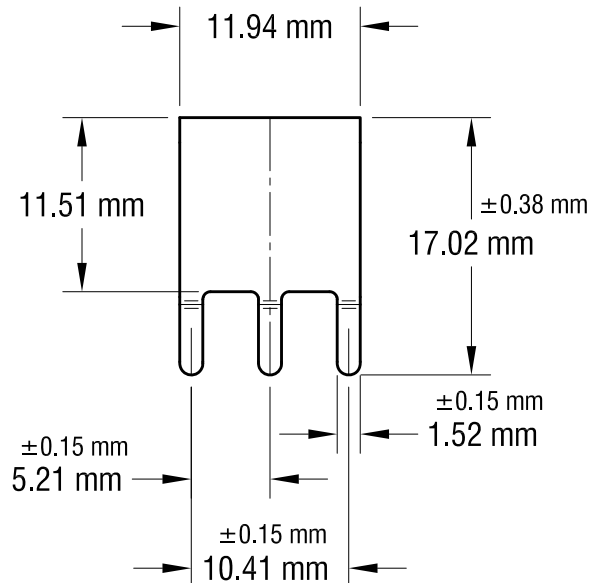
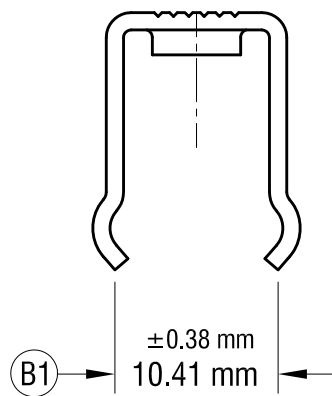
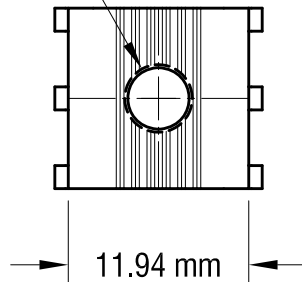


THIS DOCUMENT IS THE PROPERTY OF KEYSTONE ELECTRONICS CORP. AND SHALL NOT BE REPRODUCED, DISTRIBUTED OR USED AS A BASIS FOR MANUFACTURE WITHOUT PRIOR WRITTEN PERMISSION FROM KEYSTONE ELECTRONICS CORP.

ACTUAL SIZE



M5 x 0.8
THREAD



NOTE:

1. ALL DIMENSION ARE IN MILLIMETERS.

4.25.16	(B1) WAS 10.8 ±0.38 CHANGE AS PER ECN 16-049	B
9029.09	CHANGE AS PER ECN 137	A
DATE	DESCRIPTION	REV.

KEYSTONE ELECTRONICS CORP.			
www.keyelco.com • ASTORIA, N.Y. 11105-2017 • Tel (718) 956-8900			
PART NAME			
PC METRIC SCREW TERMINAL			
MATERIAL			
1.14 mm TH'K BRASS			
FINISH		DRN BY	DATE
MATTE TIN PLATE		NT	7.01.08
		APP'D	SCALE
		LN	2X
TOLERANCES	INCH [MM]	CODE	DWG NO.
DECIMAL	± [± 0.25]	C	7807
ANGULAR	± 1°		
UNLESS OTHERWISE SPECIFIED			