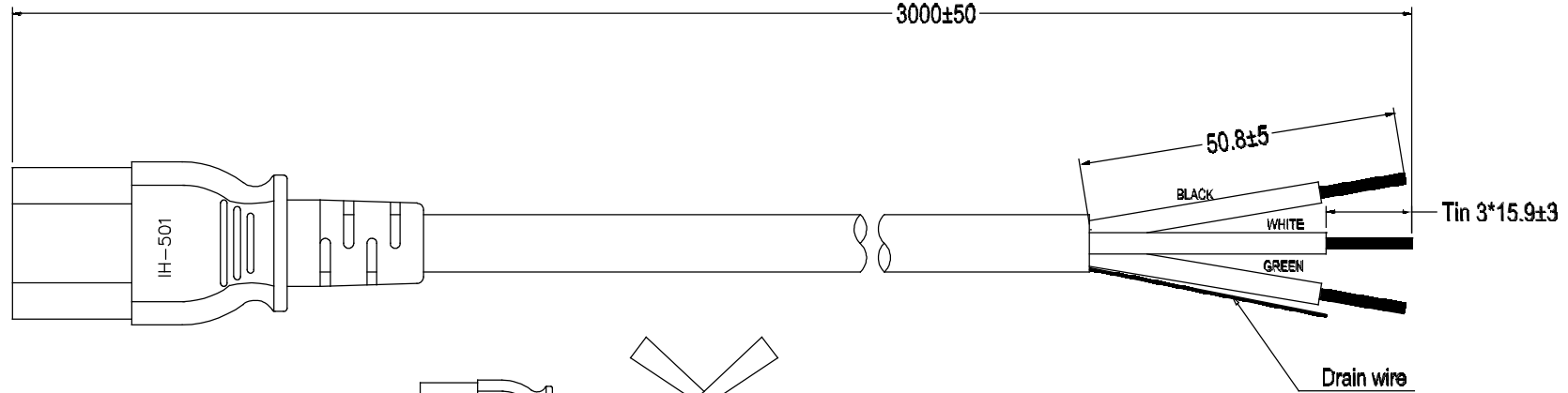


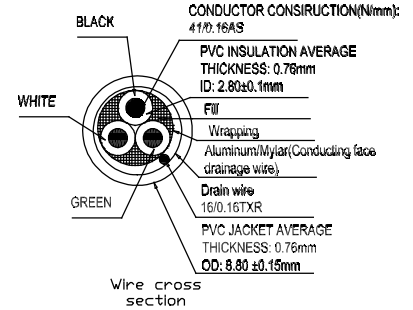
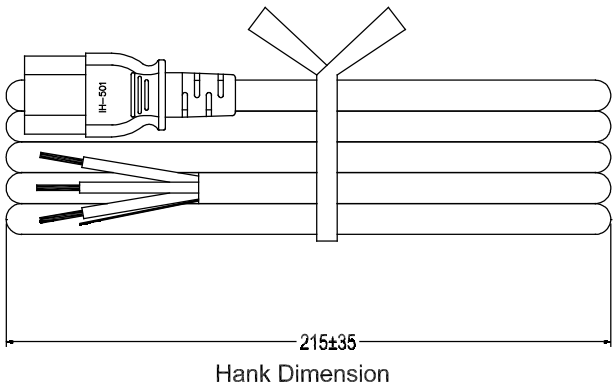
1 2 3 4 5 6 7

PLUG COMPONENT			PLUG STRIP DIMENSION			END STRIP DIMENSION			TERMINAL COMPONENT		
COLOR	DESCRIPTION	Q'ty	R.I.J	R.O.J	COLOR	SJT 18AWGx3C	R.O.J	R.I.J	COLOR	DESCRIPTION	TYPE
40P BLACK	PVC Compound	1	6 <sup>+1</sup> <sub>-0</sub>	15 ± 1	BLACK(L)	105°C Shielded Black Length 3000±50	50.8±5.0	15.9±3.0	BLACK(L)	FULL TINNED	
True color	Assembly Body 111-001-005	1	6 <sup>+1</sup> <sub>-0</sub>	15 ± 1	WHITE(N)		50.8±5.0	15.9±3.0	WHITE(N)	FULL TINNED	
			6 <sup>+1</sup> <sub>-0</sub>	15 ± 1	GREEN(E)		50.8±5.0	15.9±3.0	GREEN(E)	FULL TINNED	



PLUG TYPE

Electrical Test :  
 1. Insulation Resistance Test : DC 500/min>100meg-ohm \*  
 2. Continuity & Polarization Test : No Short circuit, Break circuit, displacement \*  
 NOTE :  
 (All Material According To Non-Toxic Standard)



G	Scale	Free					Date	Name	Title Power cord IEC ⇔ Open End SJT, 18AWG, Shielded, 105°C, 3 Meters		
	TOLERANCE						Drawn	02.08.16		Wilson	
H	Unit: mm	X.	±0.3					Approved	02.08.16	Groll	ASSMANN WSW-No. AK500-OE-9-3
		X.X	±X							Drawing-No.	rev00
		X.XX	±X							Replace	
		DIM	TOL								
		X.°	±X°								
	X.X°	±X°									
Angle	TOL	Id.	Modification	Date	Name	1840 W. Drake Drive, Suite 101 • Tempe, AZ 85283 Toll Free: 1-877-277-6266 • Email: info@assmann.us					

1 2 3 4 5 6 7