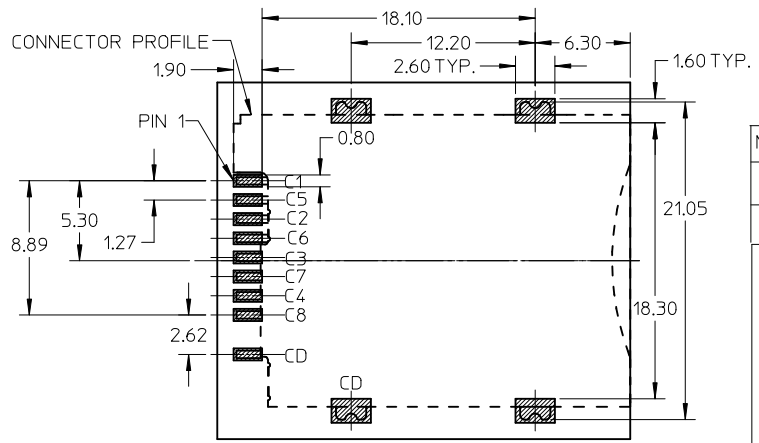
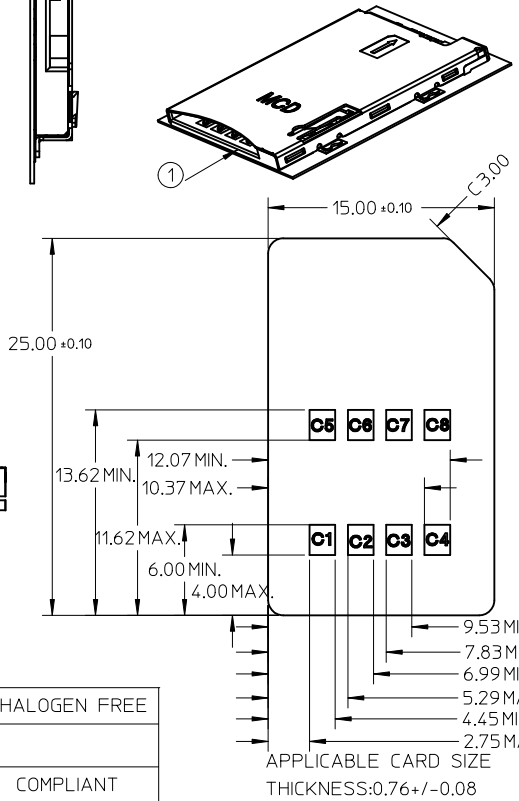
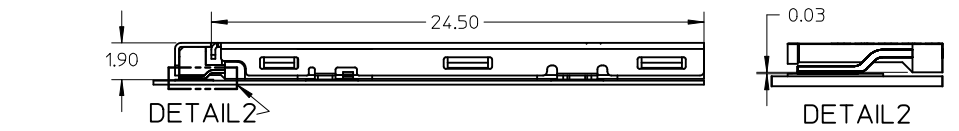


- NOTES:
- 1 FINISH:
 - 1-1 TERMINAL :
 - 50~200μ NICKEL UNDER PLATED
 - 30μ MIN GOLD PLATING ON CONTACT AREA
 - 3μ MIN GOLD FLASH ON SOLDERING AREA
 - 1-2 SHELL :
 - 50~200μ NICKEL UNDER PLATED
 - 3μ MIN GOLD FLASH ON SOLDERING AREA
 - 1-3 DETECT PIN :
 - 50~200μ NICKEL UNDER PLATED
 - 10μ MIN GOLD PLATING ON CONTACT AREA
 - 3μ MIN GOLD FLASH ON SOLDERING AREA
 - 2 SOLDER TAIL COPLANARITY:0.1MM MAX.
 - 3.THIS PART IS LEAD-FREE.
 - 4.DETECT SWITCH: INSERT CARD=OFF (NORMAL=ON)
 - 5.MAXIMAL TOTAL HEIGHT WHEN INSERTING SIM CARD NEED AVOID IN THIS AREA
 - 6.PRODUCT COMPLIANT TO ROHS DIRECTIVE 2002/95/EC AND ELV DIRECTIVE 2000/53/EC



MATERIAL No.	HALOGEN FREE
476030001	
476031001	COMPLIANT

CHG MFG ID EC NO: S2012-0164 DRWN:FCS00 CHKD:JTAN02 APPR:SKTOH	2011/08/29	2011/09/16	2011/09/16	QUALITY SYMBOLS F=0 F=0 F=0	GENERAL TOLERANCES (UNLESS SPECIFIED)	DIMENSION STYLE MM ONLY	SCALE NTS	DESIGN UNITS METRIC	THIRD ANGLE PROJECTION
	4 PLACES	± ---	± ---						
	3 PLACES	± ---	± ---						
	2 PLACES	± 0.15	± ---						
1 PLACE	± ---	± ---							
ANGULAR ±1/2°					DRAFT WHERE APPLICABLE MUST REMAIN WITHIN DIMENSIONS				

DRAWN BY	DATE
LHSHEN	2007/04/30
CHECKED BY	DATE
XUXIANG	2007/05/22
APPROVED BY	DATE
JENNY CHEN	2007/05/25
MATERIAL NO.	
SEE TABLE	

NO.	DESCRIPTION	Q'TY	MATERIAL
1	HOUSING	1	LCP
2	TERMINAL	8	COPPER ALLOY
3	DETECT PIN #1	1	COPPER ALLOY
4	DETECT PIN #2	1	COPPER ALLOY
5	SHELL	1	SUS
6	COIL SPRING	1	SWP
7	HEART CAM	1	NYLON
8	CAM PIN	1	SUS

TITLE: PUSH-PUSH 8 PIN SIM WITH DETECT PIN SALES DRAWING

MOLEX MOLEX INCORPORATED

DOCUMENT NO. SD-47603-001 SHEET NO. 1 OF 1

THIS DRAWING CONTAINS INFORMATION THAT IS PROPRIETARY TO MOLEX INCORPORATED AND SHOULD NOT BE USED WITHOUT WRITTEN PERMISSION